

# MARINE ENGINE REPLACEMENT PARTS

***BARR***  
***MARINE BY EDM***



***MADE IN THE USA***



**THERE ARE NONE BETTER.**

---

Introduction .....	1
Engine Exhaust Systems .....	2
It's The Law - Know Your Right .....	3
Warranty .....	4-5
Conversion List .....	6
Identification List .....	7

## Section 1: Manifolds and Risers

Barr Marine .....	8
Chevrolet .....	9-10
Chris Craft .....	11-14
Chrysler .....	15-18
Crusader .....	19-24
Detroit Diesel .....	25-27
Flagship .....	28-29
Ford .....	30
Graymarine .....	31-33
Indmar .....	34-36
Interceptor .....	37-40
MerCruiser .....	41-61
OMC .....	62-71
Perkins .....	72
Pleasurecraft .....	73
Universal Atomic 4 .....	74
Volvo .....	75-78
Waukesha .....	79

## Section 2: Miscellaneous

Adapter Bell Housing .....	80
Center Discharge Exhaust Riser .....	81
Exhaust Connectors and "Y" Collectors .....	82
Exhaust Risers and Connectors .....	83-85
Rubber Engine Mounts .....	86
Thermostats and Thermostat Housing Assemblies .....	87
Torsional Dampers .....	88
Transmission and Engine Oil Coolers .....	89
Transom Exhausts, Exhaust Mufflers and Flame Arrestors .....	90
Crossover Reference Guide .....	91-92
Notes .....	93-95

# Introduction

**Barr Marine by EDM**

100 Douglas Way

P.O. Box 190

Naturel Bridge Station, VA 24579

Toll Free: (866) 255-9265

Phone: (540) 291-4180

Fax: (540) 291-4185

---

Barr Marine by EDM, a pioneer in the marine engine component replacement field, was founded in 1933 by Horatio W. Barraclough, Sr. under the name Marine Salvage. Among the first products engineered and manufactured were replacement exhaust manifolds for conversions of the famous 4-cylinder Model "A" Ford and Pierce Arrow 6-cylinder engines, along with the Buick and Chrysler straight 8-cylinder engines. Additional water-cooled manifolds followed throughout the 1930s for such engines as the 4-cylinder Willys, flathead Ford V8, and the 16-cylinder Cadillac.

Operating his shop in the Philadelphia area, Barraclough Sr., joined by his four sons, saw the firm grow until the outbreak of World War II. As the sons left for military service, the business suspended almost all operations for the duration of the war. During this period, Barraclough Sr. moved the company to Port Republic, New Jersey, and remained active in the marine salvage business.

After the war, the four sons, Wallace, Robert, Russell and Richard, started up their own operation, again in the Philadelphia area and incorporated as Barr Marine Products Co., the name that continues in use today. In addition to supplying the marine field with replacement exhaust system parts and engine conversions, Barr started manufacturing Barr diesel and gas engines, using the Chevrolet and Oldsmobile V8 gas engines and Ford and GMC engines for diesel.

As the company expanded, they moved several times into larger quarters until in 1972 a new plant was built to their own specifications in Bensalem, PA. This modern, one-story building housed offices, warehouse and manufacturing facilities. Here Barr began to phase out engine manufacturing and engine conversions. Recognizing the need for marine engine exhaust manifold and riser replacements that were of superior quality, but still economically priced, they began to specialize in marine exhaust systems and soon become known as "The Manifold People".

Joined by the third generation of the Barraclough family, Barr Marine continued to grow, and in the fall of 1980 was purchased by Barr International Industries, Inc. Barr Marine was sold to EDM, Inc. in the winter of 2001.

Barr Marine by EDM looks to the future with great optimism. They are now offering the pleasure boat and work boat industries an ever expanding line of replacement exhaust manifolds, exhaust risers and connectors, and other related engine parts.

---

During the operation of any marine engine-gas or diesel-exhaust gases are produced and must be removed from the engine and conducted outside the boat.

While there are two basic exhaust systems, wet and dry, the wet system is the one most often found in pleasure boats as well as many work boats. This system mixes the exhaust gases with engine-cooling water and then discharges them through the transom of the boat via an exhaust line.

## **Exhaust Manifold**

Attached to the engine is an exhaust manifold with its exhaust inlets matching the exhaust outlet ports of the engine. Circulating cooling water through the water jacket surrounding the exhaust gas chamber cools this manifold.

## **Exhaust Connector**

At the exhaust end of the manifold is an exhaust connector. This connector is an intermediary between the manifold and an exhaust hose or pipe. This connector also mixes the exhaust gases with water to further cool the gases, and it operates as a means for directing the gas and water outflows so that a connection can be made between the manifold and the exhaust tubing.

Particular attention must be paid to the relative height difference between the center line of the exhaust end of the manifold and the center line of the transom overboard exhaust fitting, the exhaust connector can be exhaust dump or drop of a convenient angle.

In those instances where the manifold is not appreciably above or is below the overboard fitting, an exhaust riser is used. By design, the riser acts as a dam to keep both exhaust-cooling water and seawater from back flooding into the engine and destroying it.

## **Back Pressure**

From an engineering viewpoint, the most critical design requirement for exhaust systems is to limit the backpressure on the engine to a minimum. Backpressure is the pressure that builds up in the exhaust manifold engine exhaust outlets. The lower this pressure, the more efficient the operation of the engine. Low backpressure is achieved by designing exhaust passages to minimize resistance to the flow of gases and to prove for a uniform gas flow away from all cylinders.

Barr manifolds and exhaust connectors are designed to minimize backpressure. In many cases, after replacing an OEM manifold with Barr replacement parts, more r.p.m.'s are achieved.

## **Replacement Exhaust Systems**

When the need arises to replace an OEM-installed manifold and/or exhaust connector, one of the three situations will exist: replacement of both manifold and connector, replacement of the manifold only, or replacement of the exhaust connector only.

When replacing both manifold and connector, normally there are no problems in matching, and connection to existing exhaust lines is usually very easy. When replacing just the manifold or just the exhaust connector, problems can arise in matching the replacement part to the existing part. Barr recognizes these problems and, wherever possible, has provided the necessary adaptors for connecting a Barr replacement manifold or exhaust connector to original exhaust parts.

# It's The Law - Know Your Rights!

**Barr Marine by EDM**

100 Douglas Way

P.O. Box 190

Naturel Bridge Station, VA 24579

Toll Free: (866) 255-9265

Phone: (540) 291-4180

Fax: (540) 291-4185

---

Consumers are protected from manufacturers who attempt to unfairly chain the purchasers of their products to the continued purchase of their maintenance and repair products and authorized services. Congress has provided consumers with this protection under the Magnuson-Moss Warranty Act as well as specific provisions of the Federal Trade Commission Improvement Act.

It's against the law for an original equipment manufacturer to inform consumers that their warranty would be void should they use other than genuine replacement parts or if service were to be performed by anyone other than an authorized "OEM" dealer unless, of course, such parts and service were to be performed "Free of Charge" under the terms of the warranty.

The laws were enacted to grant the consumers and dealers the basic right to select replacement parts from competent manufacturers without fear of jeopardizing their warranty. The law directly provides the consumer the right of choice, the right to an affordable alternative choice of manufactured product. Of course, the original equipment manufacturer is not responsible for product failures or damages caused by product failures of product manufactured by others. Such damages become the responsibility of the company providing such products under the terms of their own warranties. Barr Marine by EDM originated the three-year limited warranty that has recently become the standard for all others to follow. Our warranty can be found in our catalog directly following this notice.

Barr Marine by EDM has been a manufacturer of Marine Engine Parts for fifty-eight years. The company has and continues to manufacture marine engine parts for many of the original equipment manufacturers. For years, we have represented the affordable alternative choice for your needs. We thank you for your continued support.

Barr Marine by EDM  
100 Douglas Way  
P.O. Box 190  
Naturel Bridge Station, VA 24579  
Toll Free: (866) 255-9265 Phone: (540) 291-4180  
Fax: (540) 291-4185

## Three-year Limited Warranty

---

### **Three-year warranty on exhaust manifolds, risers and exhaust connectors manufactured by Barr Marine by EDM.**

Unless specifically indicated otherwise, Barr Marine by EDM ("Manufacturer") warrants this product against defects in workmanship and material for three years from date of purchase by the original purchaser to the extent that Manufacturer will, at its option, replace or repair the product or any part thereof which in Manufacturer's judgment has such a defect, provided that written notice of such defect is received by Manufacturer at the address above within three years after date of purchase by the original purchaser. The Buyer shall return the product to Manufacturer, at Buyer's expense to the address above. Manufacturer's obligation does not include any cost of removal or reinstallation, and this warranty shall not apply if the product has been misused, abused, altered, neglected or improperly installed or repaired work by anyone other than Manufacturer was a cause of the defect.

This Warranty does not extend to Barr Marine by EDM products used in racing or "high performance" applications. Any work done by others without notifying Barr Marine by EDM in advance of such performance and without written authorized shall automatically terminate buyer's rights or remedies against seller.

The warranties set forth above are the sole express warranties made by manufacturer with respect to this product or any thereof.

**Any implied warranties, including without limitation any warranties of fitness or of merchantability, are hereby expressly limited in duration to the three-year period of this warranty.**

Some states do not allow limitations on how long an implied warranty lasts, so the above limitation may not apply to you.

This warranty does not extend to anyone other than the original purchaser.

Notwithstanding anything to the contrary herein contained, if this product is specifically excluded or used for commercial purposes, rental, or other income-producing activities, then the duration of this warranty shall be one year from date of purchase.

**Manufacturer reserves the right to improve its products through changes in design or materials without being obligated to incorporate such changes in products of prior manufacture and to make changes at any time in design, materials, or parts of products without obligation or liability to owners of products of prior manufacture.**

Some states do not allow the exclusion or limitation of incidental or consequential damages, so the above limitation or exclusion may not apply to you.

This warranty gives you specific legal rights, and you may also have other rights, which vary from state to state.

# One-year Limited Warranty

**Barr Marine by EDM**

100 Douglas Way

P.O. Box 190

Naturel Bridge Station, VA 24579

Toll Free: (866) 255-9265

Phone: (540) 291-4180

Fax: (540) 291-4185

---

**One-year warranty on exhaust manifolds, risers and exhaust connectors manufactured by Barr Marine by EDM (except for exhaust manifolds, risers and exhaust connectors, which are covered by a three-year warranty) then the duration of this warranty shall be one year from date of purchase.**

Unless specifically indicated otherwise, Barr Marine by EDM (“Manufacturer”) warrants this product against defects in workmanship and material for one year from date of purchase by the original purchaser to the extent that Manufacturer will, at its option, replace or repair the product or any part thereof which in Manufacturer’s judgment has such a defect, provided that written notice of such defect is received by Manufacturer at the address above within one year after date of purchase by the original purchaser. The Buyer shall return the product to Manufacturer, at Buyer’s expense to the address above. Manufacturer’s obligation does not include any cost of removal or reinstallation, and this warranty shall not apply if the product has been misused, abused, altered, neglected or improperly installed or repaired work by anyone other than Manufacturer was a cause of the defect.

This Warranty does not extend to Barr Marine by EDM products used in racing or “high performance” applications. Any work done by others without notifying Barr Marine by EDM in advance of such performance and without written authorization shall automatically terminate buyer’s rights or remedies against seller.

The warranties set forth above are the sole express warranties made by manufacturer with respect to this product or any thereof.

**Any implied warranties, including without limitation any warranties of fitness or of merchantability, are hereby expressly limited in duration to the one-year period of this warranty.**

Some states do not allow limitations on how long an implied warranty lasts, so the above limitation may not apply to you.

This warranty does not extend to anyone other than the original purchaser.

Notwithstanding anything to the contrary herein contained, if this product is specifically excluded or used for commercial purposes, rental, or other income-producing activities, then the duration of this warranty shall be one year from date of purchase.

**Manufacturer reserves the right to improve its products through changes in design or materials without being obligated to incorporate such changes in products of prior manufacture and to make changes at any time in design, materials, or parts of products without obligation or liability to owners of products of prior manufacture.**

Some states do not allow the exclusion or limitation of incidental or consequential damages, so the above limitation or exclusion may not apply to you.

This warranty gives you specific legal rights, and you may also have other rights, which vary from state to state.

**Barr Marine by EDM**  
 100 Douglas Way  
 P.O. Box 190  
 Naturel Bridge Station, VA 24579  
 Toll Free: (866) 255-9265 Phone: (540) 291-4180  
 Fax: (540) 291-4185

# Complete List of Barr Conversion Manifolds

## ENGINE APPLICATION

BUICK V8: 364,401, & 425CU. IN.;1957-66  
 BUICK V8:400,435, &455 CU. IN.;1967-76  
 BUICK V6: 198,225, & 231 CU. IN.;ALL MODELS  
 CATERPILLAR V8 DIESEL: 636 CU. IN.; ALL MODELS  
 CHEVROLET 4-CYLINDER: 153 & 181 CU. IN.  
 CHEVROLET 6 -CYLINDER: 194,230,250, &292 CU. IN; 1962-75  
 CHEVROLET V8 OHV: 235 & 283 CU. IN.;1955-57  
 CHEVROLET V8 OHV: 305,307,327,350, & 400 CU. IN.;1962 UP  
 CHEVROLET V8 OHV: 348 & 409CU. IN.; 1958-65  
 CHEVROLET V8 OHV: 396,427, & 454 CU. IN. 1966 UP  
 CHEVROLET V8 OHV: 396,427, & 454 CU. IN. 1966 UP  
 CHEVROLET V8 OHV: 396,427, & 454 CU. IN. 1966 UP  
 CHEVROLET V8 : FITS ALL SMALL BLOCK CHEVY 283..400 CU. IN.  
 CHEVROLET V8 : FITS ALL SMALL BLOCK CHEVY 283..400 CU. IN.  
 DETROIT DIESEL V8: 6.2 LITER  
 DETROIT DIESEL V8: 8.2 LITER  
 DETROIT DIESEL: 3-71 & 6V71  
 DETROIT DIESEL:4-71 & 8V71, 4-92 & 8V92  
 DETROIT DIESEL:6-71 &12V71, 6-92 & V12-92  
 FORD FALCON, COMET 6-CYLINDER 144 & 177 CU. IN. 1960-64  
 FORD V8: FITS 260,289,302, & 351 CU. IN. WINDSOR MODELS  
 FORD, LINCOLN, MERCURY: 460 CU. IN.; ALL YEARS  
 FORD & MERCURY V8 OHV:239,292, & 312 CU. IN.  
 FORD & MERCURY V8 :221,260, & 289 CU. IN.,1962 UP  
 FORD & MERCURY V8: 302 & 351 CU. IN. WINDSOR 2- BARREL CARB.  
 FORD & MERCURY V8 OHV:332,352,390, & 427 CU. IN. 1958-67  
 OLDSMOBILE V8 DIESEL: 260 & 350 CU. IN., 1978 UP  
 OLDSMOBILE ROCKET V8:330,350,400,425,& 455 CU. IN

## PART NUMBER

BV-1-57  
 BV-1-67  
 BV6-1-75  
 CAT-1-3208  
 MC-1-0120  
 C-1-6364  
 CHV-1-5557  
 CHV-1-63  
 CHVA-1-58  
 CHVA-1-65  
 CHVA-1-84\*\*  
 CHVA-1-92#  
 CHV-1-83\*\*  
 CHV-1-92#  
 CHD-1-82  
 DD-1-501  
 DD-1-3710  
 DD-1-4710  
 DD-1-6710  
 FC-1-60  
 FM-1-83\*\*  
 FM-1-7275  
 FM-1-5457  
 FM-1-6268  
 FM-1-6970##  
 FE-1-58  
 OR-1-73  
 OR-1-73

\*\* CENTER RISER MANIFOLD

# ALUMINUM MANIFOLD

## WILL NOT FIT CLEVELAND ENGINES



# Manifold End Plate and Gasket Identification Listing

Barr Marine by EDM

100 Douglas Way

P.O. Box 190

Naturel Bridge Station, VA 24579

Toll Free: (866) 255-9265

Phone: (540) 291-4180

Fax: (540) 291-4185

MANIFOLD PART #	FRONT END PLATE	GASKET	EXHAUST END PLATE	GASKET	HEADER ADAPTOR
BV-1-57	1-0032	1-0019	1-0025	1-0019	1-0001
BV-1-67	1-0032	1-0019	1-0025	1-0019	1-0001
BV6-1-75	1-0092	1-0022	1-0024##	1-0022	1-0000
C-1-6364	1-0032	1-0019	1-0025	1-0019	1-0001
C6-1-M7M27	1-0056	1-0062	1-0067*	1-0068	1-0007
C6-1-M47	1-0057	1-0062	1-0067*	1-0068	1-0007
CAT-1-3208	DA-1-6371-L2/R2	1-0019	1-0025	1-0019	1-0001
CHD-1-82	1-0036	1-0019	1-0025	1-0019	1-0001
CHV-1-5557	1-0042	1-0022	1-0024	1-0022	1-0000
CHV-1-63	1-0032	1-0019	1-0025	1-0019	1-0001
CHVA-1-58	1-0032	1-0019	1-0025	1-0019	1-0001
CHVA-1-65	1-0032	1-0019	1-0025	1-0019	1-0001
CM-1-5665	1-0092	1-0022	1-0024##	1-0022	1-0000
D-1-M6M26	1-0056	1-0062	1-0067*	1-0068	1-0007
D-1-M46SP	1-0057	1-0062	1-0067*	1-0068	1-0007
D-1-M46ST	1-0057	1-0062	1-0067*	1-0068	1-0007
DD-1-501	1-0036	1-0019	1-0025	1-0019	1-0001
FC-1-60	1-0042	1-0022	1-0024	1-0022	1-0000
FE-1-58	1-0032	1-0019	1-0025	1-0019	1-0001
FM-1-5457	1-0031	1-0022	1-0024	1-0022	1-0000
FM-1-6970	1-0032	1-0019	1-0025	1-0019	1-0001
FM-1-7275	1-0032	1-0019	1-0025	1-0019	1-0001
GR-1-162**	1-0059	1-0060	GR-1-0001**	N/A	N/A
GR-1-175**	1-0059	1-0060	GR-1-0001**	N/A	N/A
GR-1-226**	1-0009	1-0011	GR-1-0001**	N/A	N/A
GR-1-3273L	GR-1-0005L	GR-1-0006	GR-1-0003L	GR-1-0006	1-0069
GR-1-3273R	GR-1-0005R	GR-1-0006	GR-1-0003R	GR-1-0006	1-0069
GR-1-3274L	GR-1-0005L	GR-1-0006	GR-1-0002L	GR-1-0006	1-0002
GR-1-3274R	GR-1-0005R	GR-1-0006	GR-1-0002R	GR-1-0006	1-0002
GR-1-6470	GR-1-6470A	1-0019	1-0036##	1-0019	1-0001
INT-1-5457L	1-0072	1-0022	1-0024##	1-0022	1-0000
INT-1-5457R	1-0074	1-0022	1-0024##	1-0022	1-0000
INT-1-58L	1-0077	1-0019	1-0025##	1-0019	1-0001
INT-1-58R	1-0076	1-0019	1-0025##	1-0019	1-0001
INT-1-6268L	1-0072	1-0022	1-0024##	1-0022	1-0000
INT-1-6268R	1-0074	1-0022	1-0024##	1-0022	1-0000
MC-1-0120	1-0075	1-0022	1-0092	1-0022	NOT REQ'D
MC-1-6364	C-1-6365B	1-0019	1-0036	1-0019	NOT REQ'D
OF-1-60	1-0036	1-0019	1-0025##	1-0019	1-0001
OR-1-73	NOT REQ'D	NOT REQ'D	1-0080	1-0082	1-0081
V6D-1-478	V8D-1-0002	V8D-1-0003	V8D-1-0001##	V8D-1-0003	V8D-1-0004
V8D-1-637	V8D-1-0002	V8D-1-0003	V8D-1-0001##	V8D-1-0003	V8D-1-0004

\* NOTE: MANIFOLDS WITH FOUR BOLT STYLE AND FLANGES REQUIRE ADAPTOR # 1-0061 AND GASKET 1-0062 BETWEEN MANIFOLD AND END PLATE.

\*\* NOTE: PART # GR-1-0001 IS A REPLACEMENT FOR THE ORIGINAL GRAY THREADED FLANGE AND IS NOT SUPPLIED WITH THE MANIFOLD. MANIFOLDS MARKED (\*\*) THUS CAN BE USED WITH THE ORIGINAL GRAY EXHAUST FITTING.

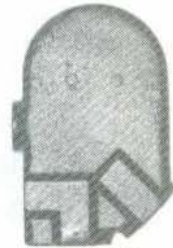
## NOTE: HEADER ADAPTOR FURNISHED INSTEAD OF EXHAUST END PLATE.

# Barr Marine Diesel Engine Riser

20-0094



50-090-150



20-0101

**Part #**

20-0094  
50-090-150  
20-0101

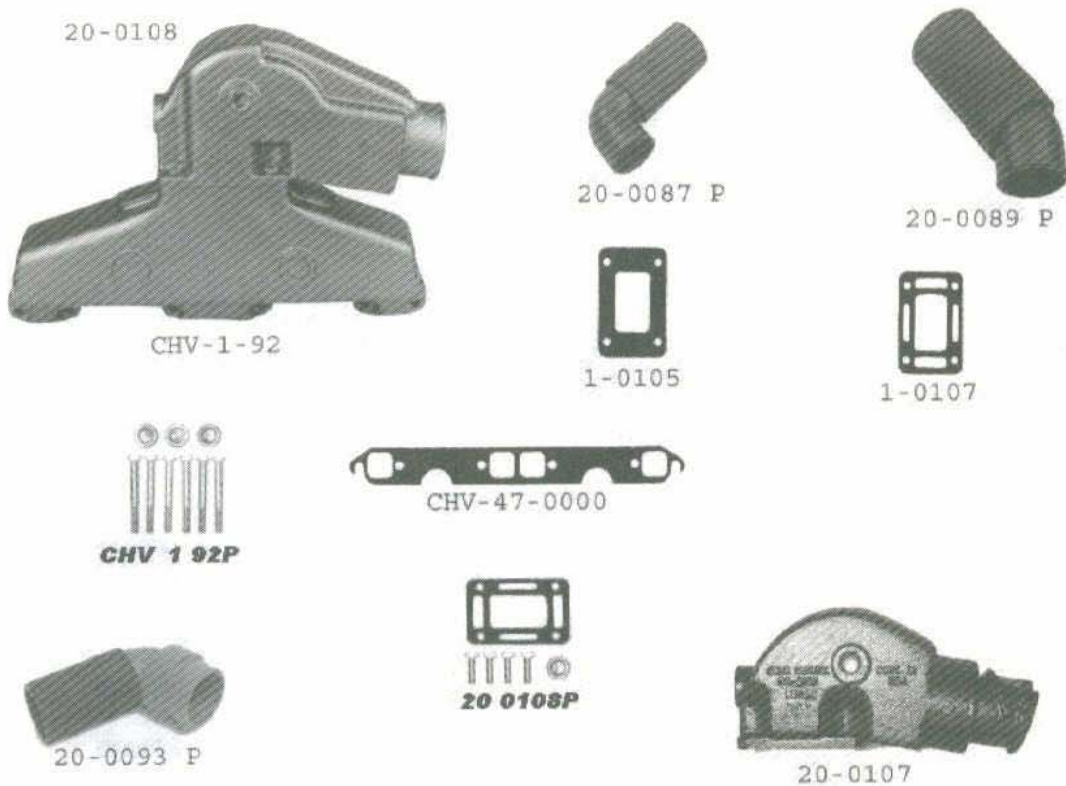
**Detailed Description**

Versatile 1 1/2" NPT exhaust riser. Approx. 10 lbs in weight. Gray Iron.

1 1/2" NPT pipe plug.

Versatile 1 1/2" NPT exhaust riser. Approx. 2 1/2 lbs in weight. Aluminum.

# Chevrolet Small Block V8 (Aluminum) 283, 302, 305, 307, 327 and 350 cu. in. All Models Center Riser Generic

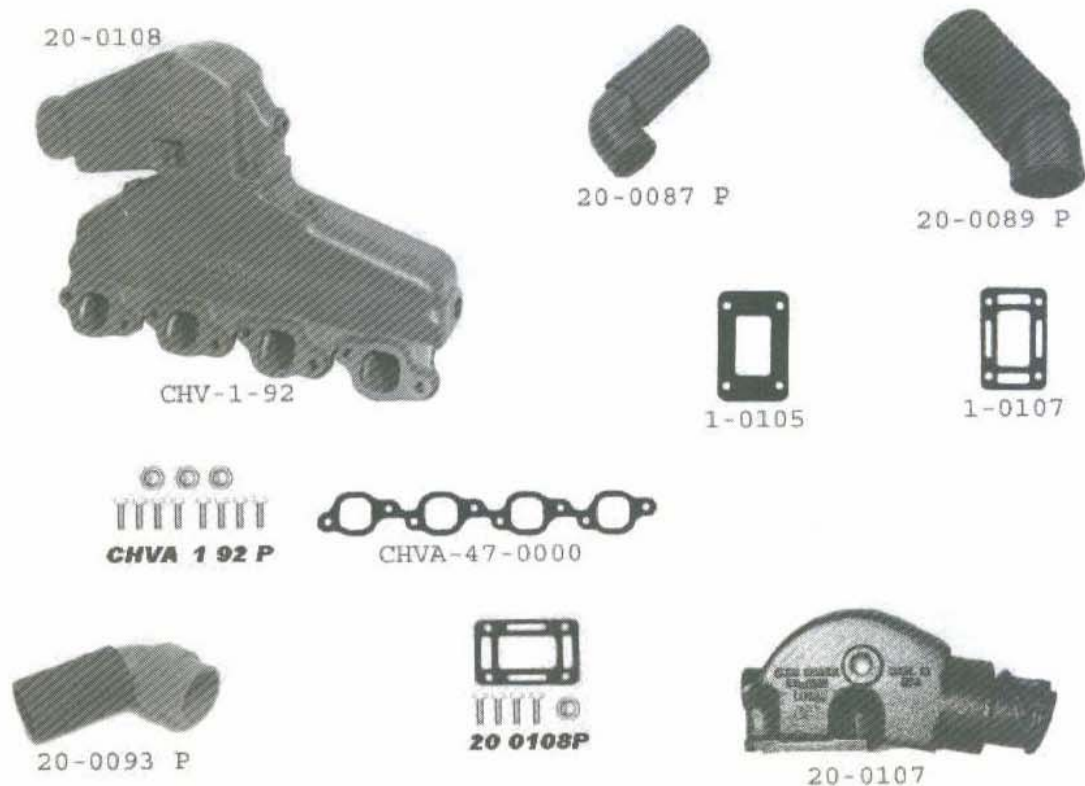


<b>Part #</b>	<b>Detailed Description</b>
CHV-1-92	Manifold (comes complete with mounting hardware).
20-0107	Riser (comes complete with mounting hardware and manifold-to-riser gasket). Standard for use with 4" i.d. exhaust hose.
20-0108	Riser (comes complete with mounting hardware and manifold-to-riser gasket). Standard for use with 3" i.d. exhaust hose.
20-0087 P	90 degree exhaust elbow adaptor for stern-drive applications (includes adaptor, hose and clamps). For use with 3" i.d. exhaust hose. (Order (2) of the appropriate exhaust packages according to your requirements.)
20-0089 P	30 degree exhaust elbow adaptor for stern-drive applications (includes adaptor, hose and clamps). For use with 3" i.d. exhaust hose. (Order (2) of the appropriate exhaust packages according to your requirements.)
20-0093 P	90 degree exhaust elbow adaptor for stern-drive applications (includes adaptor, hose and clamps). For use with 3 1/2" or 4" i.d. exhaust hose. (Order (2) of the appropriate exhaust packages according to your requirements.)
1-0105	Center riser manifold-to-riser gasket for fresh water (heat exchanger) cooling.
1-0107	Center riser manifold-to-riser gasket (raw-water cooling).
CHVA-47-0000	Manifold-to-cylinder head gasket. (Order (2) of the appropriate exhaust packages according to your requirements.)

**NOTE:** The center riser is a two-piece aluminum manifold/riser ideally suited for replacement use where riser protection is required. The Barr Center Riser aluminum manifold/riser uses flexible exhaust hose which facilitates connection to existing exhaust lines. All elbows (cast iron) can swivel inboard or outboard for perfect fit. The Barr Center Riser aluminum manifold/riser is designed to limit back pressure on the engine, resulting in more efficient engine performance. The manifold and riser can be reversed and will fit either side of the engine.

**NOTE 2:** The Barr Center Riser aluminum manifold/riser is cast of 356 T6 aluminum, well suited for fresh water marine applications. Barr Marine's Center Riser aluminum manifold/riser comes with only a one year warranty. However, Barr Marine products company does not recommend use of this product in salt water applications and does not warrant this product in salt water due to extreme corrosion.

## Chevrolet Big Block V8 (Aluminum) 427 and 454 cu. in. All Models Center Riser Generic

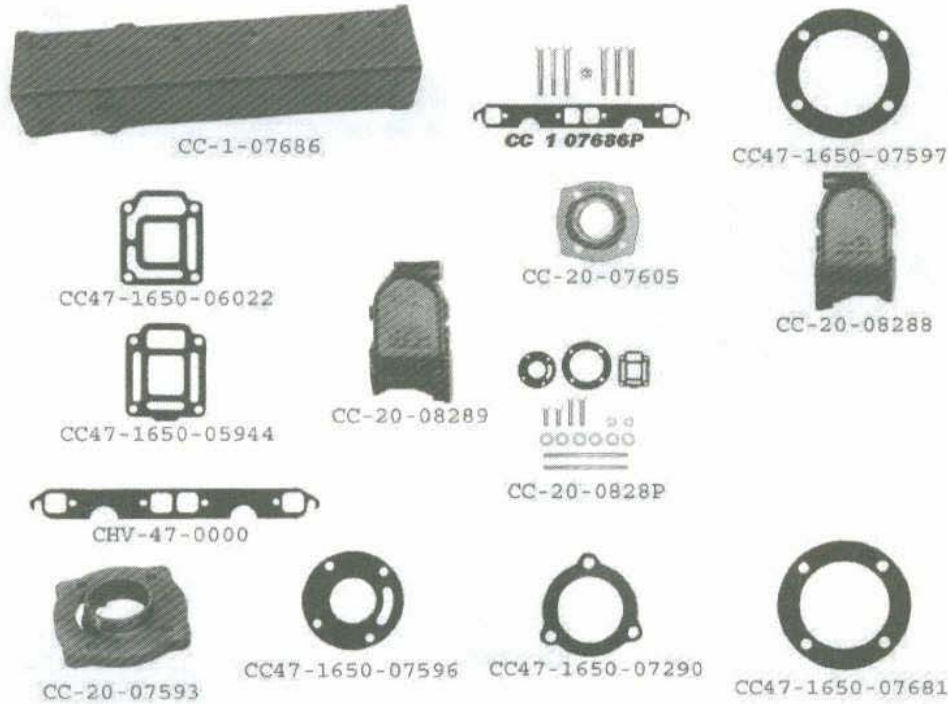


Part #	Detailed Description
CHVA-1-92	Manifold (comes complete with mounting hardware).
20-0107	Riser (comes complete with mounting hardware and manifold-to-riser gasket). Standard for use with 4" i.d. exhaust hose.
20-0108	Riser (comes complete with mounting hardware and manifold-to-riser gasket). Standard for use with 3" i.d. exhaust hose.
20-0087 P	90 degree exhaust elbow adaptor for stern-drive applications (includes adaptor, hose and clamps). For use with 3" i.d. exhaust hose. (Order (2) of the appropriate exhaust packages according to your requirements.)
20-0089 P	30 degree exhaust elbow adaptor for stern-drive applications (includes adaptor, hose and clamps). For use with 3" i.d. exhaust hose. (Order (2) of the appropriate exhaust packages according to your requirements.)
20-0093 P	90 degree exhaust elbow adaptor for stern-drive applications (includes adaptor, hose and clamps). For use with 3 1/2" or 4" i.d. exhaust hose. (Order (2) of the appropriate exhaust packages according to your requirements.)
1-0105	Center riser manifold-to-riser gasket for fresh water (heat exchanger) cooling.
1-0107	Center riser manifold-to-riser gasket (raw-water cooling).
CHVA-47-0000	Manifold-to-cylinder head gasket. (Order (2) of the appropriate exhaust packages according to your requirements.)

**NOTE:** The center riser is a two-piece aluminum manifold/riser ideally suited for replacement use where riser protection is required. The Barr Center Riser aluminum manifold/riser uses flexible exhaust hose which facilitates connection to existing exhaust lines. All elbows (cast iron) can swivel inboard or outboard for perfect fit. The Barr Center Riser aluminum manifold/riser is designed to limit back pressure on the engine, resulting in more efficient engine performance. The manifold and riser can be reversed and will fit either side of the engine.

**NOTE 2:** The Barr Center Riser aluminum manifold/riser is cast of 356 T6 aluminum, well suited for fresh water marine applications. Barr Marine's Center Riser aluminum manifold/riser comes with only a one year warranty. However, Barr Marine products company does not recommend use of this product in salt water applications and does not warrant this product in salt water due to extreme corrosion.

# Chris Craft V8 - 283, 302, 305, 307, 327 and 350 cu.in. All Models Log Style Direct Replacement



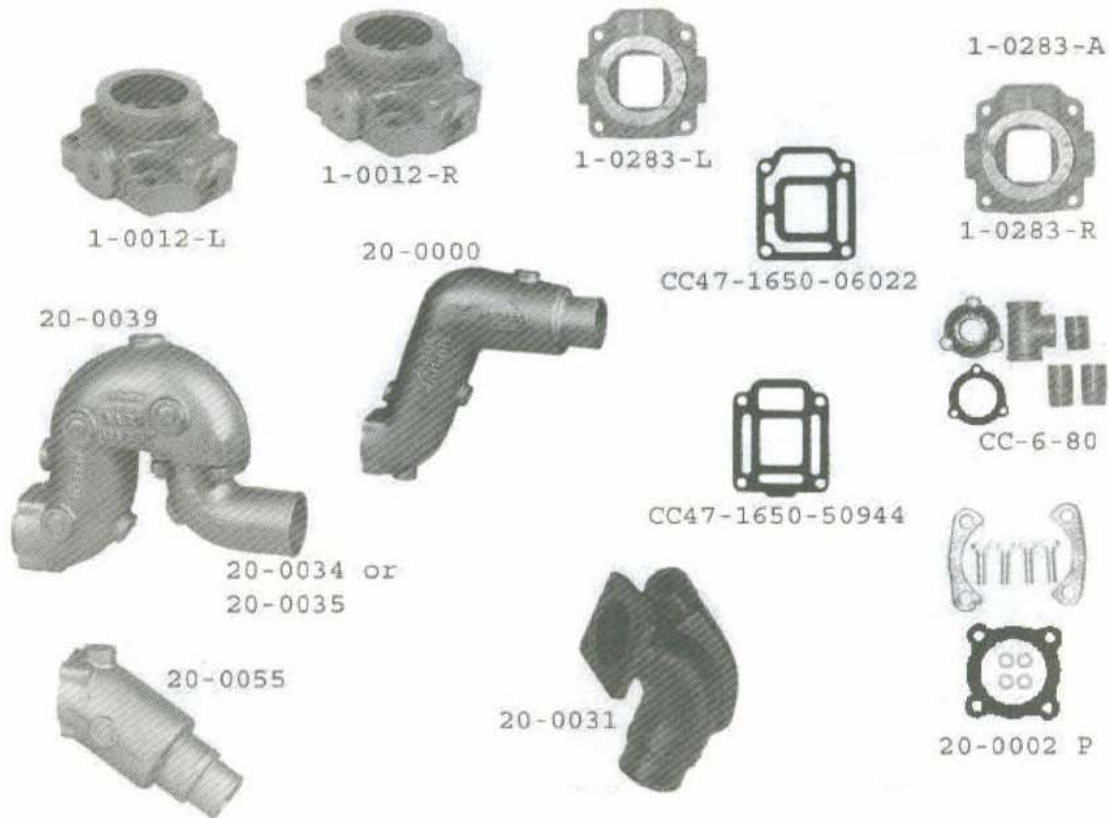
**Part #**

CC-1-07686  
 CHV-47-0000  
 CC47-1650-05944  
 CC-47-1650-06022  
 CC47-1650-07596  
 CC-20-07593  
 CC47-1650-07597  
 CC47-1650-07681  
 CC-20-08288  
 CC-20-08289  
 CC-20-07605  
 CC47-1650-07290  
 CC-20-0828P

**Detailed Description**

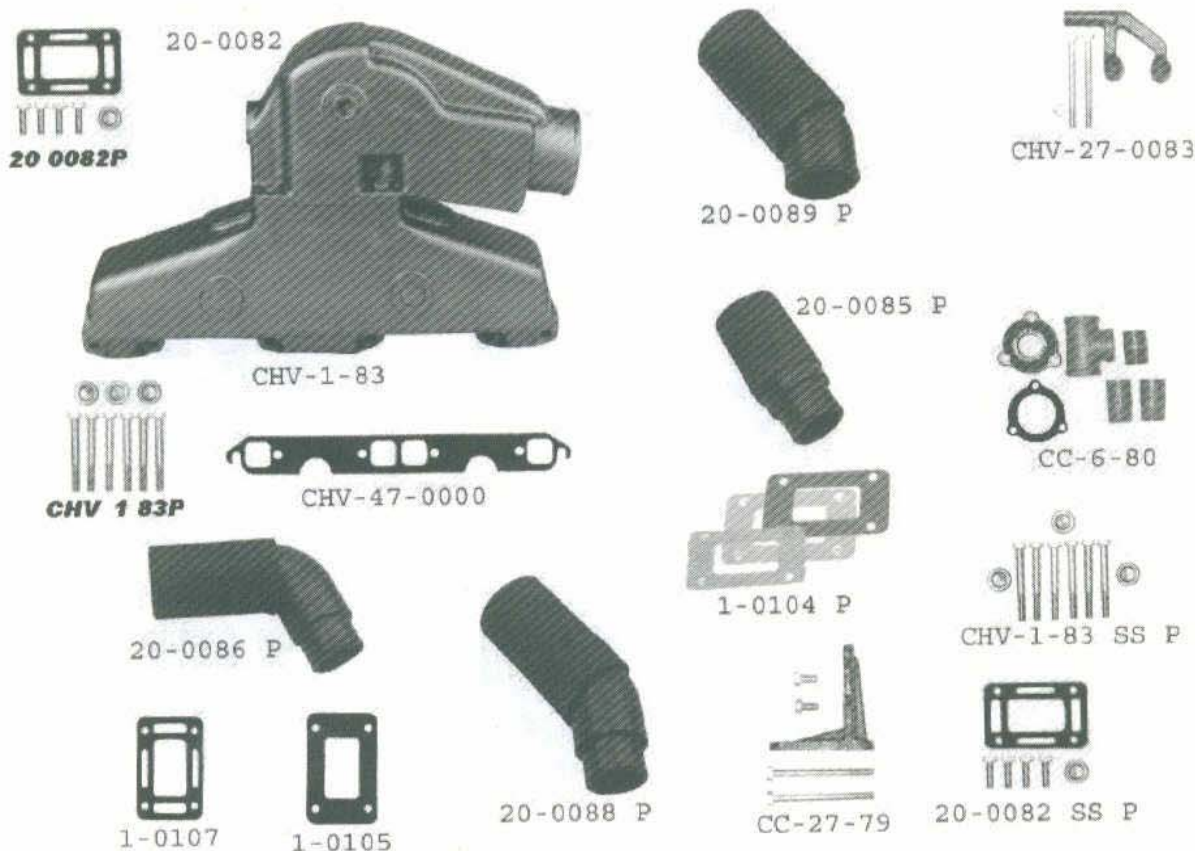
Direct replacement water cooled manifold. Replaces Chris Craft part # 16.20-07686  
 Manifold to head gasket. (Order (2) of the appropriate gaskets according to your requirements.)  
 End gasket for all models except 283 cu.in. with flywheel forward. (Order (2) of the appropriate gaskets according to your requirements.)  
 End gasket for 283 cu.in. with flywheel forward. (Order (2) of the appropriate gaskets according to your requirements.)  
 Riser/deflector plate gasket. Also requires gasket CC-47-1650-07597 (Order (2) of the appropriate gaskets according to your requirements.)  
 Riser/deflector plate. Replaces Chris Craft part # 16.20-07593 (Order (2) of the appropriate gaskets according to your requirements.)  
 Deflector plate/tail pipe gasket. Also requires gasket CC47-1650-07596 (Order (2) of the appropriate gaskets according to your requirements.)  
 Adaptor/tail pipe gasket for 283 cu.in. with flywheel forward. (Order (2) of the appropriate gaskets according to your requirements.)  
 Direct replacement portside exhaust riser.  
 Direct replacement starboard side exhaust riser.  
 Direct replacement exhaust elbow.  
 Relief valve housing gasket.  
 Exhaust riser mounting package.

## Chris Craft V8 283, 302, 305, 307, 327 and 350 cu.in. All Models Generic



Part #	Detailed Description
1-0012-L	Adaptor for Chris Craft V8 283 cu.in. Manifolds prior to Models F, G, K and Q ( three pass manifold system) left side. Requires Chris Craft adaptor part # 16.20-07062 (port side).
1-0012-R	Adaptor for Chris Craft V8 283 cu.in. Manifolds prior to Models F, G, K and Q ( three pass manifold system) right side. Requires Chris Craft adaptor part # 16.20-07064 (starboard side).
1-0283-A	Adaptor for Chris Craft V8 283, 302, 305, 307, 327 and 350 cu.in. Manifolds, Models F, G and K (two pass manifold system).
1-0283-L	Adaptor for Chris Craft V8 283, 302, 305, 307, 327 and 350 cu. in. Manifolds, Model Q (single pass manifold system), left side.
1-0283-R	Adaptor for Chris Craft V8 283, 302, 305, 307, 327 and 350 cu. in. Manifolds, Model Q (single pass manifold system), right side.
20-0039	Fully jacketed swivel-type exhaust riser. 7" riser protection. Requires (2) mounting hardware kits # 20-0002 P plus (1) exhaust connector # 20-0035 (for 2 1/2" i.d. exhaust hose) or (1) exhaust connector # 20-0034 (for 3" i.d. exhaust hose) per riser. Use for models F,G, K and Q. Requires CC-6-80. (Order (2) of the appropriate exhaust connectors and adaptors according to your requirements.)
20-0000	High discharge exhaust riser. 8 1/2" riser protection. Requires (1) mounting hardware kit # 20-0002 P per riser. Use only with 2 7/8" to 3" i.d. exhaust hose. (Order (2) of the appropriate exhaust connectors and adaptors according to your requirements.)
20-0031	90 degree exhaust elbow connector with internal water discharge. Accepts 2 1/2" or 3" i.d. exhaust hose. Swivels. Requires (1) mounting hardware kit # 20-0002 P per connector. (Order (1) of the appropriate exhaust connectors and adaptors according to your requirements.)
20-0055	30 degree exhaust elbow connector, fully jacketed. Accepts 2 1/2" or 3" i.d. exhaust hose. Swivels. Requires (1) mounting hardware kit # 20-0002 P per connector. (Order (2) of the appropriate exhaust connectors and adaptors according to your requirements.)
CC-6-80	Pressure relief valve adaptor package for Chris Craft V8, Models F, G, K and Q. Use with 20-0039 riser. (Order (2) of the appropriate exhaust connectors and adaptors according to your requirements.)
20-0034 or 20-0035	Exhaust connector # 20-0035 (for 2 1/2" i.d. exhaust hose) or Exhaust connector # 20-0034 (for 3" i.d. exhaust hose) per riser.
20-0002 P	Mounting hardware kit.
CC47-1650-05944	End gasket for all models except 283 cu.in. with flywheel forward. (Order (2) of the appropriate gaskets according to your requirements.)
CC-47-1650-06022	End gasket for 283 cu.in. with flywheel forward. (Order (2) of the appropriate gaskets according to your requirements.)

## Chris Craft V8 - 283, 302, 305, 307, 327 and 350 cu. in. All Models Center Riser Generic



**Part #**

CHV-1-83  
 20-0082  
 20-0085 P  
 20-0088 P  
 20-0086 P  
 CHV-47-0000  
 CC-27-79  
 CHV-27-0083  
 1-0105  
 1-0107  
 1-0104 PKG  
 CHV-1-83 SS P  
 20-0082 SS P  
 CC-6-80  
 20-0089 P

**Detailed Description**

Manifold (comes complete with mounting hardware).  
 Riser (comes complete with mounting hardware and manifold-to-riser gasket). Standard for use with 3" i.d. exhaust hose.  
 Straight exhaust adaptor (includes adaptor, hose and clamps). For use with 2 1/2" i.d. exhaust hose. (Order (2) of the appropriate exhaust packages according to your requirements.)  
 30 degree exhaust elbow adaptor (includes adaptor, hose and clamps). For use with 2 1/2" i.d. exhaust hose. (Order (2) of the appropriate exhaust packages according to your requirements.)  
 90 degree exhaust elbow adaptor for stern-drive applications (includes adaptor, hose and clamps). For use with 2 1/2" i.d. exhaust hose. (Order (2) of the appropriate exhaust packages according to your requirements.)  
 Manifold-to-cylinder head gasket.  
 Alternator bracket. Use where engine water pump is mounted on starboard side of engine.  
 Alternator bracket. Use where engine water pump is mounted on port side of engine below alternator.  
 Center riser manifold-to-riser gasket for fresh water (heat exchanger) cooling.  
 Center riser manifold-to-riser gasket (raw-water cooling).  
 Adaptor package to fresh water cool manifold (includes gaskets and block-off plate).  
 Manifold stainless mounting package (includes stainless steel bolts and brass pipe plugs).  
 Riser stainless mounting package (includes stainless steel bolts, gasket and brass pipe plug).  
 Pressure relief valve adaptor package for Chris Craft V8, Models F, G, K and Q.  
 3" 30 degree exhaust elbow adaptor (includes adaptor, hose and clamps). For use with 2 1/2" i.d. exhaust hose. (Order (2) of the appropriate exhaust packages according to your requirements.)

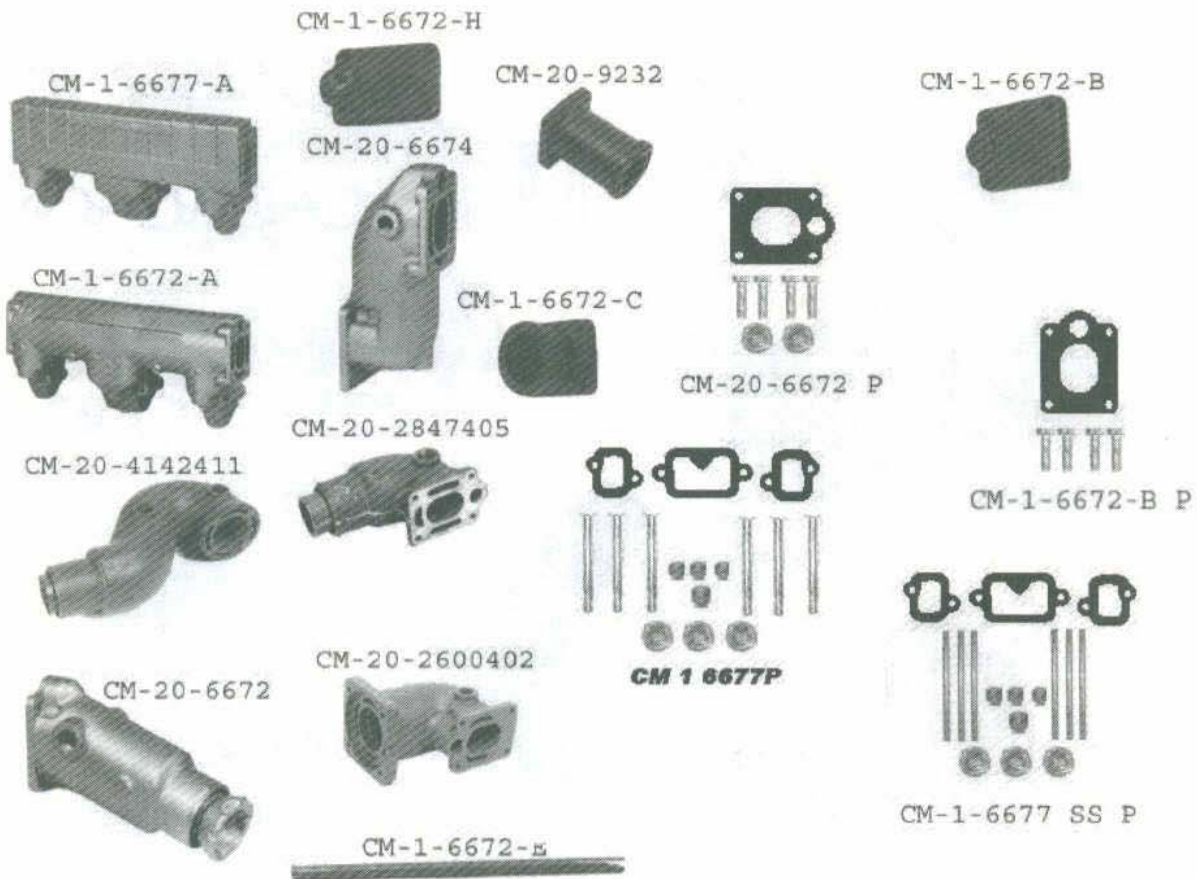
## Chris Craft V8 - 454 cu in. Center Riser Generic



Part #	Detailed Description
CHVA-1-84	Manifold (comes complete with mounting hardware).
20-0082	Riser (comes complete with mounting hardware and manifold-to-riser gasket). Standard for use with 3" i.d. exhaust hose.
20-0084 P	Straight exhaust adaptor (includes adaptor, hose and clamps). For use with 3 1/2" exhaust hose. (Order (2) of the appropriate exhaust packages according to your requirements.)
20-0089 P	30 degree exhaust elbow adaptor (includes adaptor, hose and clamps). For use with 3" exhaust hose. (Order (2) of the appropriate exhaust packages according to your requirements.)
CHVA-47-0000	Manifold-to-cylinder head gasket. (Order (2) of the appropriate exhaust packages according to your requirements.)
1-0104 P	Adaptor package to fresh water cool manifold (includes gaskets and block-off plate). (Order (2) of the appropriate exhaust packages according to your requirements.)
1-0106 P	Adaptor package-raw water (includes gaskets and block-off plate with vent hole). (Order (2) of the appropriate exhaust packages according to your requirements.)
CC-6-80	Pressure relief valve adaptor packaged for Chris Craft V8.
20-0097	3" spacer block (complete with hardware, including 3/4" NPT pipe plug) capable of stacking.
CHVA-1-84 SS P	Manifold stainless mounting package (includes stainless steel bolts and brass pipe plugs).
20-0082 SS P	Riser stainless mounting package (includes stainless steel bolts, gasket and brass pipe plug).
1-0105	Center riser manifold-to-riser gasket for fresh water (heat exchanger) cooling.
1-0107	Center riser manifold-to-riser gasket (raw-water cooling).

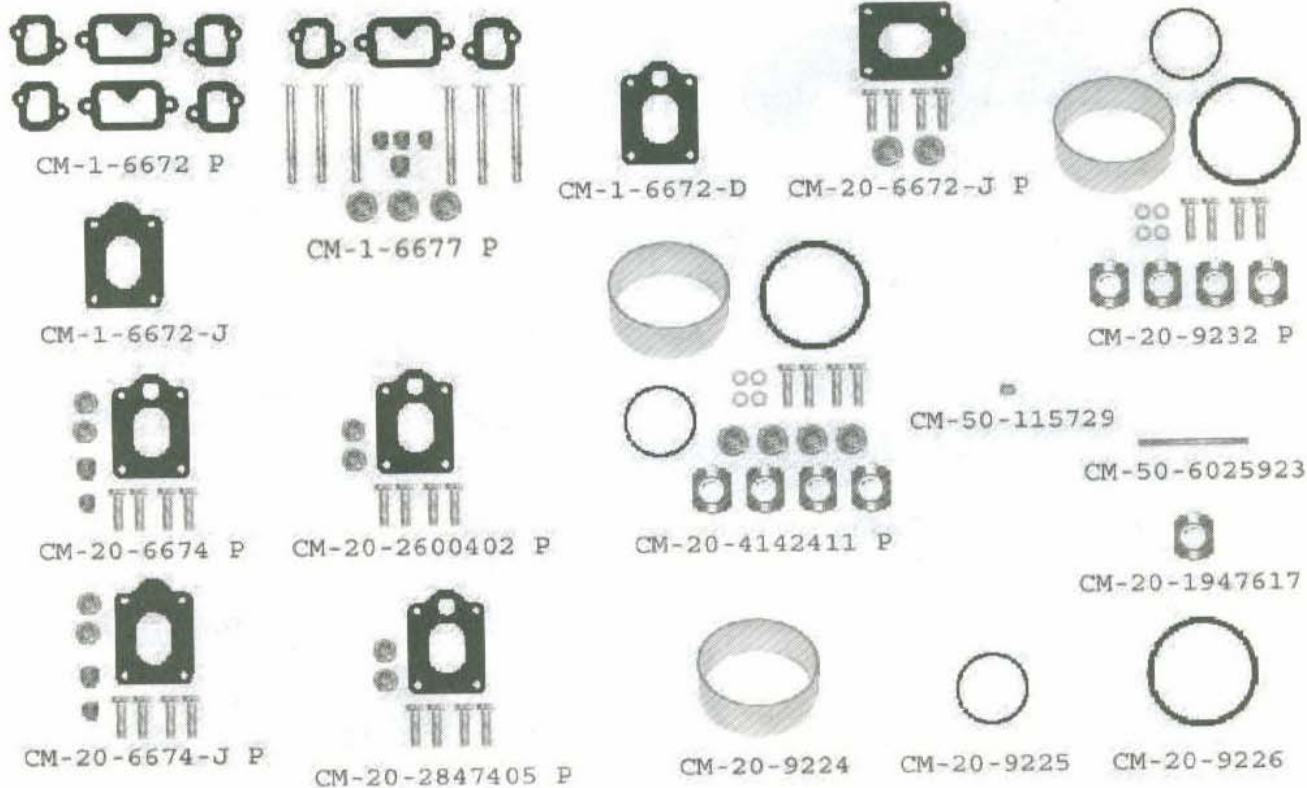


# Chrysler V8 - 273, 318, 340 and 360 cu.in. All Models 1966 and Up Log Style Direct Replacement



Part #	Detailed Description
CM-1-6672-A	Water-cooled manifold for model years 1966 to 1972. May require mounting kit # CM-1-6677 P or # CM-1-6677-SS P.
CM-1-6677-A	Water-cooled manifold for model years 1973 to 1986. May require mounting kit # CM-1-6677 P or # CM-1-6677-SS P.
CM-1-6672-B	Front end plate without the water connector. (1) required per manifold. (Chrysler part # 2846106) May require mounting kit # CM-1-6672-B P. (Order appropriate end flanges and fittings according to your requirements.) Will fit both manifold styles.
CM-1-6672-H	Front end plate with 1/2" standard pipe thread. For models where water connection is made to front of manifold. Chrysler part # 3527869. (1) required per manifold.) May require mounting kit # CM-1-6672-B P. (Order appropriate end flanges and fittings according to your requirements.) Will fit both manifold styles.
CM-1-6672-E	Copper water distribution tube. (1) required per manifold. Replaces original tube where used. Chrysler part # 3527781 (Order appropriate end flanges and fittings according to your requirements.) Will fit both manifold styles.
CM-1-6672-C	Adaptor for rear end of manifold. Use with Barr exhaust risers or elbow connectors. (1) required per manifold. (Order appropriate end flanges and fittings according to your requirements.) Will fit both manifold styles.
CM-20-6672 P	Mounting kit for exhaust elbow connector for raw-water cooled manifold (includes bolts, gasket and pipe plug). (Order (1) of the appropriate exhaust risers or connectors according to your requirements.)
CM-1-6677-SS P	Mounting kit. Manifold-to-cylinder head (includes stainless studs and nuts, head to manifold gaskets and brass drain plugs). (Order (1) of the appropriate mounting kits according to your requirements.)
CM-1-6672-B P	Front end plate mounting kit (includes gasket and bolts). (Order (1) of the appropriate mounting kits according to your requirements.)
CM-20-6672	20 degree exhaust elbow connector, fully jacketed. Accepts 3" i.d. exhaust hose. Direct replacement for Chrysler part # 3527794. Requires (1) gasket per connector. Will mount directly onto manifold, or can be used with riser # CM-20-6674. May require mounting kit. (Order (1) of the appropriate exhaust risers or connectors according to your requirements.)
CM-20-6674	Fully jacketed exhaust riser. 6" riser protection. Direct replacement for Chrysler part # 2846689. Requires (1) gasket per connector. (Order (1) appropriate exhaust risers or connectors according to your requirements.)
CM-20-4142411	Exhaust manifold riser upper elbow-direct replacement for Chrysler part #'s 3745639, 2847623, 2847404 and E 9233 M. (Order (1) appropriate exhaust risers or connectors according to your requirements.)
CM-20-2847405	90 degree exhaust elbow. Direct replacement for Chrysler part # 2847405 and # 2469639. Requires (1) gasket. (Order (1) appropriate exhaust risers or connectors according to your requirements.)
CM-20-9232	6" exhaust elbow high riser extension. Direct replacement for Chrysler part # E 9232 M. (Order (1) of the appropriate exhaust risers or connectors according to your requirements.)
CM-20-2600402	Exhaust manifold riser lower elbow. Direct replacement for Chrysler part # 2600402. (Order (1) of the appropriate exhaust risers or connectors according to your requirements.)

# Chrysler V8 - 273, 318, 340 and 360 cu.in. All Models 1966 and Up Log Style Direct Replacement



**Part #**

- CM-1-6672-C
- CM-20-9232 P
- CM-20-2847405 P
- CM-20-6672-J P
- CM-20-6674 P
- CM-20-6674-J P
- CM-20-4142411 P
- CM-50-6025923
- CM-50-115729
- CM-20-9224
- CM-20-9225
- CM-20-9226
- CM-20-1947617
- CM-20-2600402 P
- CM-1-6672-D
- CM-1-6672-J
- CM-1-6672 P
- CM-1-6677 P

**Detailed Description**

Adaptor for rear end of manifold. Use with Barr exhaust risers or elbow connectors. (1) required per manifold. (Not required for CM-20-6672 or CM-20-6674.)

Mounting kit for 6" extensions (includes sleeve, O-rings, clamps and bolts). (Order (1) of the appropriate exhaust risers or connectors according to your requirements.)

Mounting kit for exhaust elbow (includes bolts, gasket and pipe plug). (Order (1) of the appropriate exhaust risers or connectors according to your requirements.)

Mounting kit for exhaust elbow connector for fresh water cooled manifold (includes bolts, gasket and pipe plug). (Order (1) of the appropriate exhaust risers or connectors according to your requirements.)

Mounting kit for exhaust riser for raw-water cooled manifold (includes bolts, gasket and pipe plug). (Order (1) of the appropriate exhaust risers or connectors according to your requirements.)

Mounting kit for exhaust riser for fresh water cooled manifold (includes bolts, gasket and pipe plug). (Order (1) of the appropriate exhaust risers or connectors according to your requirements.)

Mounting kit for exhaust manifold riser upper elbow (includes sleeve, O-rings, clamps, bolts and pipe plugs). (Order (1) of the appropriate exhaust risers or connectors according to your requirements.)

Stainless exhaust manifold stud. (Order (1) of the appropriate exhaust risers or connectors according to your requirements.)

Stainless exhaust manifold stud nut. (Order (1) of the appropriate exhaust risers or connectors according to your requirements.)

Exhaust to elbow extension seal retainer sleeve. (Order (1) of the appropriate exhaust risers or connectors according to your requirements.)

Exhaust to elbow extension inner seal. (Order (1) of the appropriate exhaust risers or connectors according to your requirements.)

Exhaust to elbow extension outer seal. (Order (1) of the appropriate exhaust risers or connectors according to your requirements.)

Exhaust to elbow extension retainer. (Order (1) of the appropriate exhaust risers or connectors according to your requirements.)

Mounting kit for exhaust manifold riser lower elbow (includes bolts, gasket and pipe plugs). (Order (1) of the appropriate exhaust risers or connectors according to your requirements.)

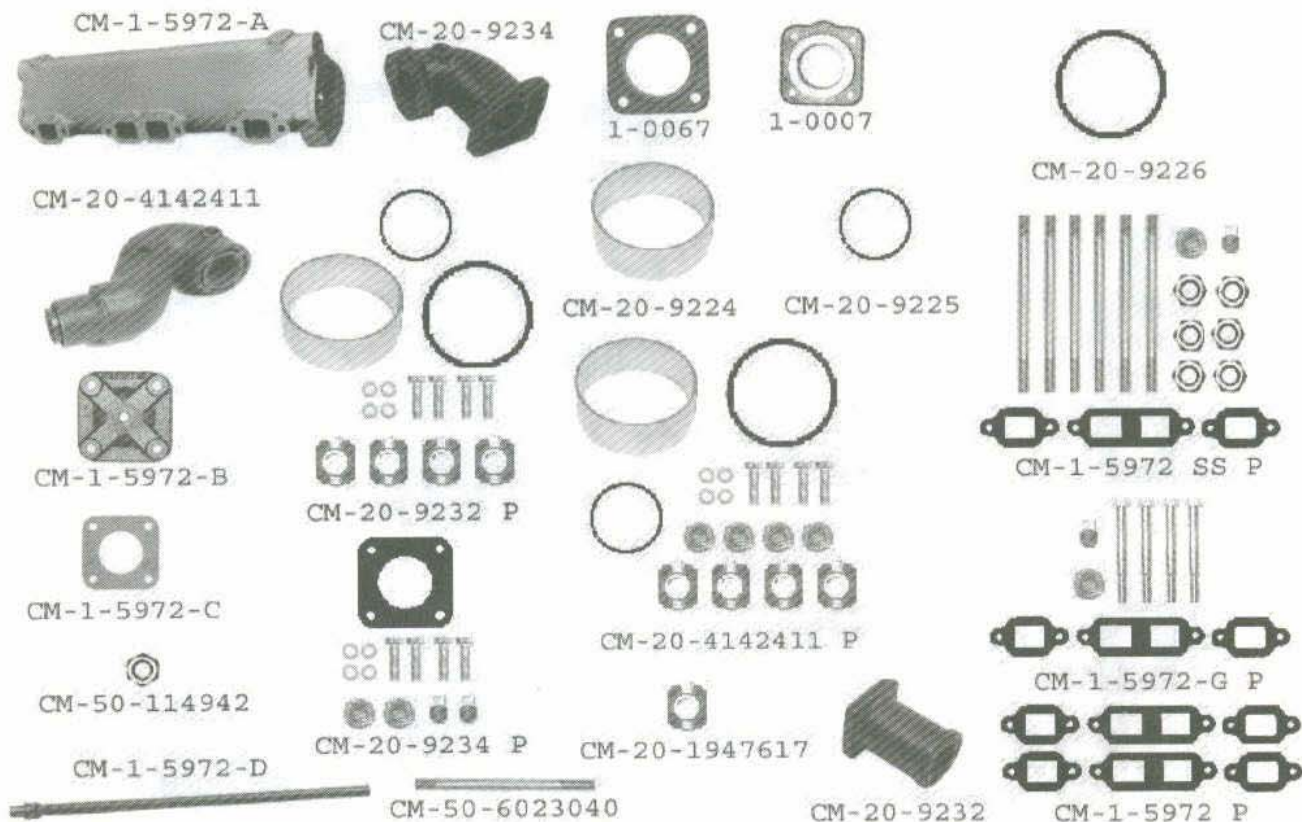
End flange gasket for raw water cooled manifolds. (2) required per exhaust end. Chrysler part # 2847480 (Order appropriate end flanges and fittings according to your requirements.) Will fit both manifold styles.

End flange gasket for fresh water cooled manifolds. (1) required per exhaust end. (Order appropriate end flanges and fittings according to your requirements.) Will fit both manifold styles.

Gasket set. Manifold to cylinder head mounting. (1) required per engine. Chrysler part # 3745220 (Order appropriate end flanges and fittings according to your requirements.) Will fit both manifold styles.

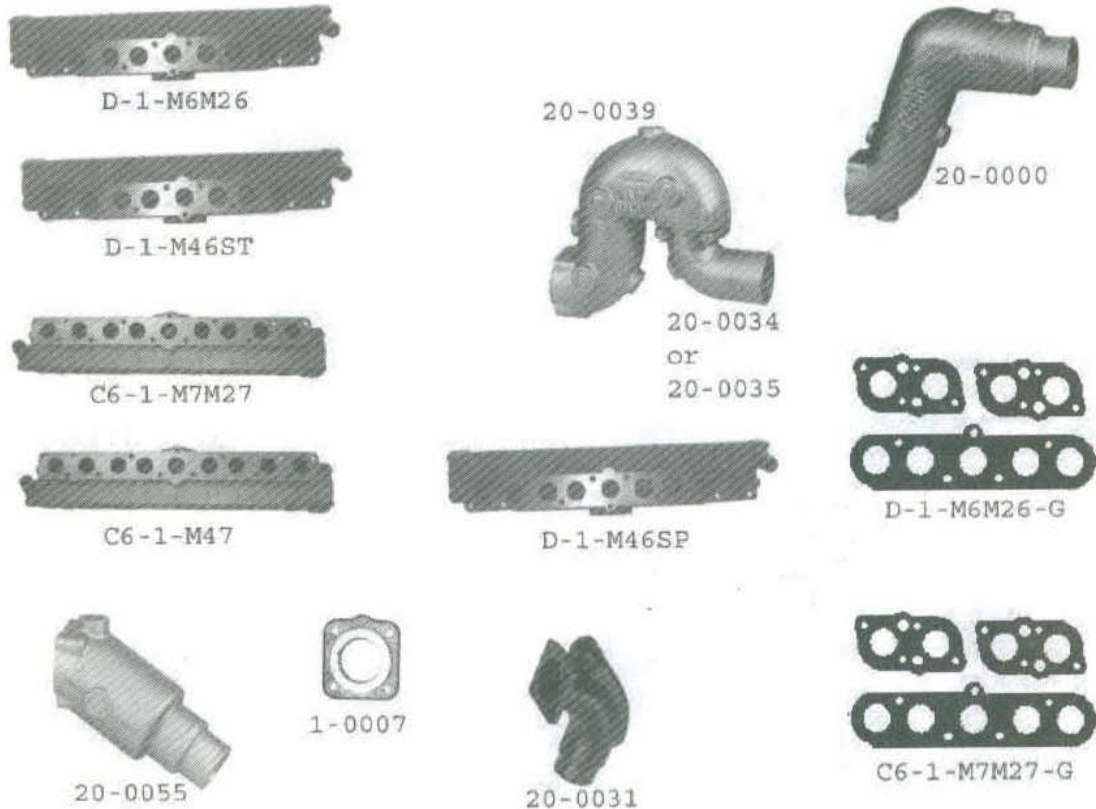
Mounting kit. Manifold-to-cylinder head (includes bolts, gaskets and brass drain plugs). (Order (1) of the appropriate mounting kits according to your requirements.)

# Chrysler V8 - 361, 383, 400, 413, 426 and 440 cu.in. 1959 and Up Log Style Direct Replacement



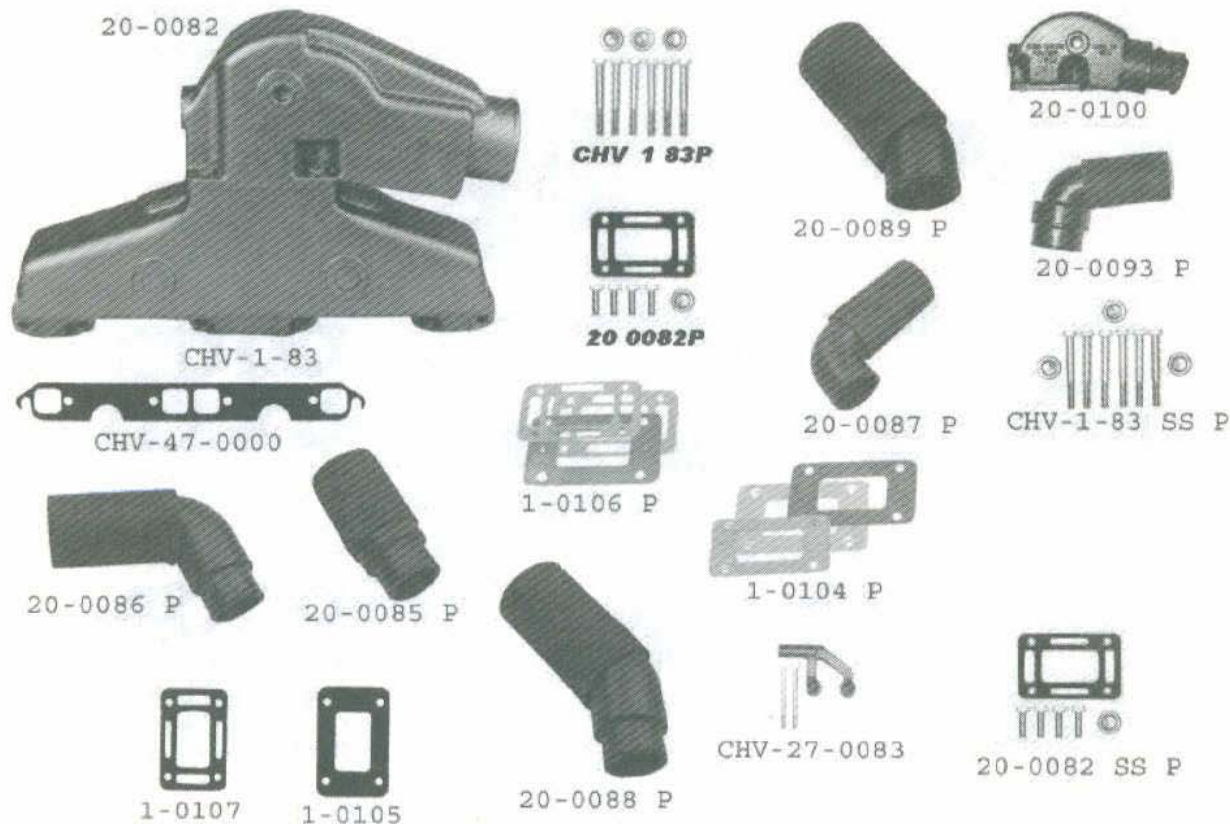
Part #	Detailed Description
CM-1-5972-A	Water cooled manifold.
CM-1-5972-B	Front end plate. (1) required per manifold. (Order appropriate end flanges and fittings according to your requirements, unless using original equipment.)
CM-1-5972-C	End plate gasket. (2) required per manifold. (Order appropriate end flanges and fittings according to your requirements, unless using original equipment.)
CM-1-5972-D	Copper water distribution tube. (1) required per manifold. Replaces original tube where used. (Order appropriate end flanges and fittings according to your requirements, unless using original equipment.)
CM-1-5972 P	Gasket set. Manifold-to-cylinder head mounting. (1) required per engine. (Order appropriate end flanges and fittings according to your requirements, unless using original equipment.)
CM-1-5972G P	Mounting kit. Manifold-to-cylinder head (includes bolts, head to manifold gasket and brass drain plugs). (2) required per engine. (Order appropriate end flanges and fittings according to your requirements, unless using original equipment.)
1-0067	Exhaust end plate. For use with 2 1/2" NPT threaded pipe. (1) required per manifold. (Order appropriate end flanges and fittings according to your requirements, unless using original equipment.)
1-0007	Adaptor for rear end of manifold. Use with Barr exhaust risers or elbow connectors. (1) required per manifold. (Order appropriate end flanges and fittings according to your requirements, unless using original equipment.)
CM-20-9232	6" exhaust elbow high riser extension. Direct replacement for Chrysler part # E 9232 M. (Order appropriate end flanges and fittings according to your requirements, unless using original equipment.)
CM-20-9234	Exhaust manifold riser lower elbow. Direct replacement for Chrysler part # E 9234 M. (Order appropriate end flanges and fittings according to your requirements, unless using original equipment.)
CM-20-4142411	Exhaust manifold riser upper elbow. Direct replacement for Chrysler part # 's 3745639, 2847623, 2847404 and E 9233 M. (Order appropriate end flanges and fittings according to your requirements, unless using original equipment.)
CM-20-9224	Exhaust elbow to extension seal retainer sleeve. (Order according to your requirements.)
CM-20-9225	Exhaust elbow to extension inner seal. (Order according to your requirements.)
CM-20-9226	Exhaust elbow to extension outer seal. (Order according to your requirements.)
CM-20-1947617	Exhaust elbow extension retainer. (Order according to your requirements.)
CM-20-9232 P	Mounting kit for 6" extension (includes sleeve, O-rings, clamps and bolts). (Order according to your requirements.)
CM-20-9234 P	Mounting kit for exhaust manifold riser lower elbow kit (includes bolts, gasket and pipe plugs). (Order according to your requirements.)
CM-20-4142411 P	Mounting kit manifold riser upper elbow (includes sleeve, O-rings, clamps, bolts and pipe plugs). (Order according to your requirements.)
CM-1-5972 SS P	Mounting kit manifold-to-cylinder head (includes stainless studs and nuts, head to manifold gaskets and brass drain plug). (2) required per engine. (Order according to your requirements.)
CM-50-6023040	Exhaust manifold attaching stud. (Order according to your requirements.)
CM-50-114942	Exhaust manifold attaching stud nut. (Order according to your requirements.)

## Chrysler Crown & Ace 6-Cylinder Direct Replacement



Part #	Detailed Description
D-1-M6M26	Manifold. Fits Chrysler Ace, Models M6 and M26. (Order (1) appropriate manifold according to your requirements.)
D-1-M46ST	Manifold. Fits Chrysler Ace, Model M46ST (2 11/16" center to center on carburetor mounting studs). (Order (1) appropriate manifold according to your requirements.)
D-1-M46SP	Manifold. Fits Chrysler Ace, Model M46SP (2 15/16" center to center on carburetor mounting studs). (Order (1) appropriate manifold according to your requirements.)
C6-1-M7M27	Manifold. Fits Chrysler Crown, Models M7 and M27. (Order (1) appropriate manifold according to your requirements.)
C6-1-M47	Manifold. Fits Chrysler Crown, Model M47. (Order (1) appropriate manifold according to your requirements.)
1-0007	Adaptor needed for all installations of exhaust riser or elbow connector.
20-0055	30 degree exhaust elbow connector, fully jacketed. Accepts 2 1/2" or 3" i.d. exhaust hose. Swivels. Requires (1) mounting hardware kit # 20-0002 P per connector. (Order (1) of the appropriate exhaust connectors according to your requirements.)
20-0039	Fully jacketed swivel-type exhaust riser. 7" riser protection. Requires (2) mounting hardware kits # 20-0002 P plus (1) exhaust connector # 20-0035 (for 2 1/2" i.d. exhaust hose) or (1) exhaust connector # 20-0034 (for 3" i.d. exhaust hose) per riser. (Order (1) of the appropriate exhaust connectors according to your requirements.)
20-0000	High discharge exhaust riser. 8 1/2" riser protection. Requires (1) mounting hardware kit # 20-0002 P per riser. Use only with 2 7/8" to 3" i.d. exhaust hose. (Order (1) of the appropriate exhaust connectors according to your requirements.)
20-0031	90 degree exhaust elbow connector with internal water discharge. Accepts 2 1/2" or 3" i.d. exhaust hose. Swivels. Requires (1) mounting hardware kit # 20-0002 P per connector. (Order (1) of the appropriate exhaust connectors according to your requirements.)
D-1-M6M26-G	Manifold mounting gasket set.
C6-1-M7M27-G	Manifold mounting gasket set.
20-0034 or 20-0035	(1) Exhaust connector # 20-0035 for 2 1/2" i.d. exhaust hose) or (1) exhaust connector # 20-0034 for 3" i.d. exhaust hose per riser.

## Crusader V8 - 283, 305, 307, 327 and 350 cu.in. All Models Center Riser Generic



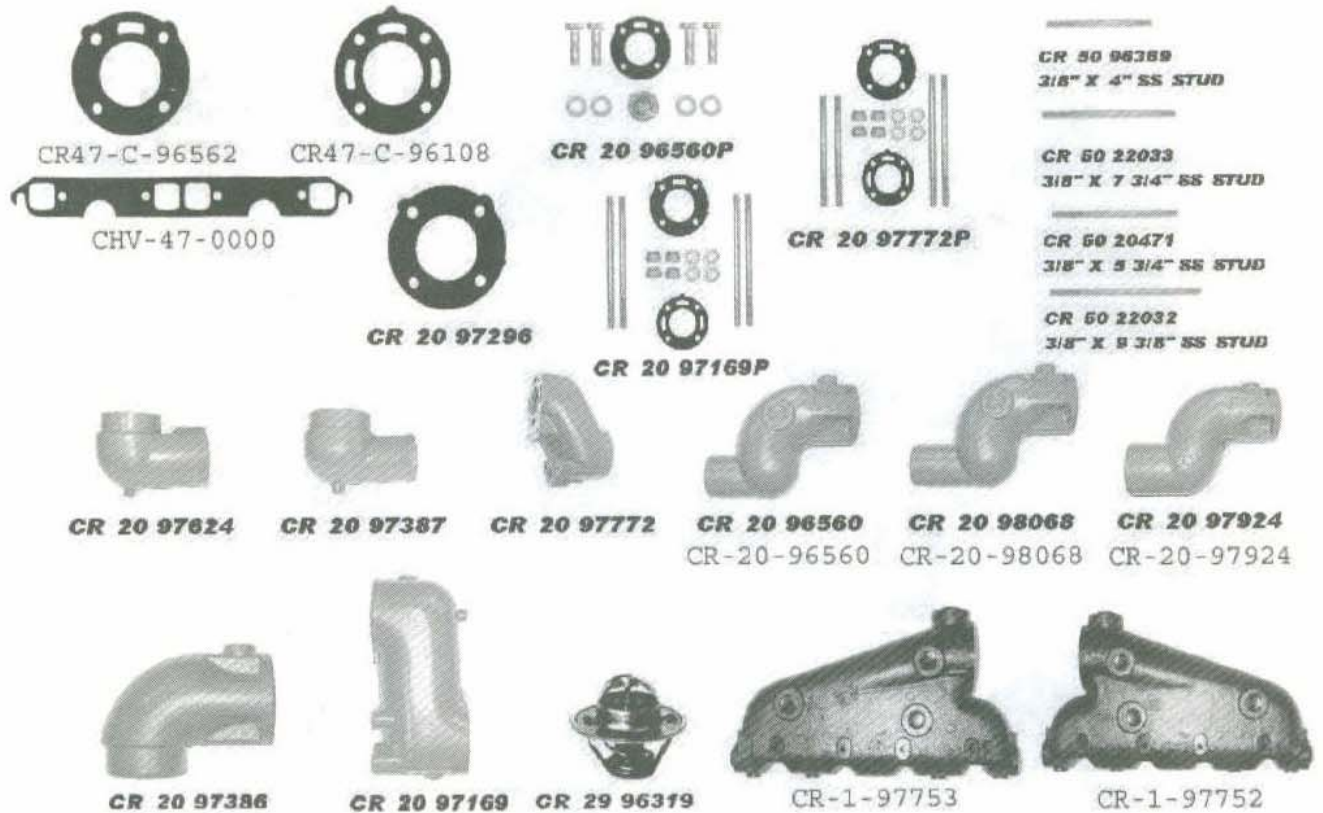
**Part #**

CHV-1-83  
20-0082  
  
20-0085 P  
20-0088 P  
20-0089 P  
20-0087 P  
20-0086 P  
  
20-0093 P  
  
CHV-27-0083  
CHV-47-0000  
1-0104 P  
1-0106 P  
CHV-1-83 SS P  
20-0082 SS P  
20-0100  
  
1-0105  
1-0107

**Detailed Description**

Manifold (comes complete with mounting hardware).  
Riser (comes complete with mounting hardware and manifold-to-riser gasket). Standard for use with 3" i.d. exhaust hose.  
Straight exhaust adaptor (includes adaptor, hose and clamps). For use with 2 1/2" i.d. exhaust hose. (Order (2) of the appropriate exhaust packages according to your requirements.)  
30 degree exhaust elbow adaptor (includes adaptor, hose and clamps). For use with 3" i.d. exhaust hose. (Order (2) of the appropriate exhaust packages according to your requirements.)  
30 degree exhaust elbow adaptor (includes adaptor, hose and clamps). For use with 3" i.d. exhaust hose. (Order (2) of the appropriate exhaust packages according to your requirements.)  
90 degree exhaust elbow adaptor for stern-drive applications (includes adaptor, hose and clamps). For use with 3" i.d. exhaust hose. (Order (2) of the appropriate exhaust packages according to your requirements.)  
90 degree exhaust elbow adaptor for stern-drive applications (includes adaptor, hose and clamps). For use with 2 1/2" i.d. exhaust hose. (Order (2) of the appropriate exhaust packages according to your requirements.)  
90 degree exhaust elbow for stern-drive applications (includes adaptor, hose and clamps). For use with 3 1/2" or 4" i.d. exhaust hose. (Order (2) of the appropriate exhaust packages according to your requirements.)  
Alternator bracket.  
Manifold-to-cylinder head gasket.  
Adaptor package to fresh water cool manifold (includes gaskets and block-off plate).  
Adaptor package-raw water (includes gaskets and block-off plate with vent hole).  
Manifold stainless mounting package (includes stainless steel bolts and brass pipe plugs).  
Riser stainless mounting package (includes stainless steel bolts, gasket and brass pipe plug).  
Riser (comes complete with mounting hardware and manifold-to-riser gasket). Standard for use with 4" i.d. exhaust hose.  
Center riser manifold-to-riser gasket for fresh water (heat exchanger) cooling.  
Center riser manifold-to-riser gasket (raw-water cooling).

## Crusader V8 - 283, 305, 307, 327 and 350 cu. in. All Models Direct Replacement



### Part #

CR-1-97753

CR-20-96560

CR47-C-96562

CR-20-98068

CR-20-97924

CR47-C-96108

CR-29-96319

CR-1-97752

CHV-47-0000

CR-20-97624

CR-20-97387

CR-20-97772

CR-20-97772P

CR-20-97169

CR-20-97169P

CR-20-96560P

CR-20-97386

CR-50-96369

CR-50-22033

CR-50-20471

CR-50-22032

### Detailed Description

Replaces Crusader part 97753. Direct replacement (portside) exhaust manifold. Requires (1) adaptor gasket CR47-96306. Exhaust manifold mounting package included.

Replaces Crusader part 96560. Direct replacement exhaust elbow assembly, 3" outlet. Requires (1) adaptor gasket.

Replacement exhaust elbow gasket.

Replaces Crusader part # 98068. Direct replacement exhaust elbow assembly, 3" outlet. For use in application without the 15/16" spacer. Requires (1) adapter gasket.

Replaces Crusader part 97924. Direct replacement exhaust elbow assembly, 4" outlet. Requires (1) adapter gasket.

Replacement exhaust elbow gasket.

Thermostat for Crusader.

Replaces Crusader part 97752. Direct replacement starboard side exhaust manifold. Requires (1) adaptor gasket CR47-96306. Exhaust manifold mounting package included.

Manifold-to-cylinder head gasket.

Replaces Crusader part # 97624. Lower swivel with 4" outlet.

Replaces Crusader part # 97387. Lower swivel with 3" outlet.

Replaces Crusader part # 97772. 4" riser/extension.

Mounting package for CR-20-97772.

Replaces Crusader part # 97169. 8" riser/extension.

Mounting package for CR-20-97169.

Mounting package for CR-20-96560, CR-20-97924, CR20-98068, & CR-20-97386.

Replaces Crusader part # 97386. Upper swivel 90 deg. elbow.

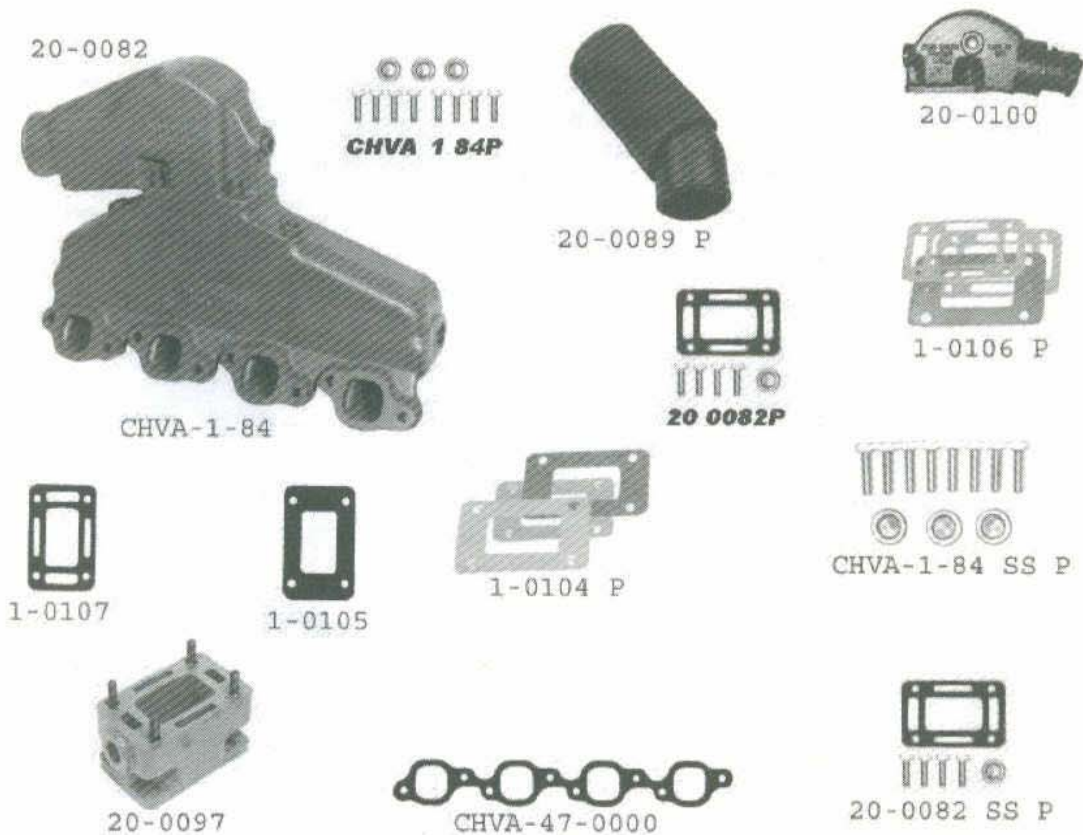
Replaces Crusader part # 96369. 3/8" x 4" SS stud. For use with OEM adaptor # 97295.

Replaces Crusader part # 22033. 3/8" x 7 3/4" SS stud.

Replaces Crusader part # 20471. 3/8" x 5 3/4" SS stud.

Replaces Crusader part # 22032. 3/8" x 9 3/8" SS stud. For use with OEM adaptor #97295.

## Crusader V8 - 427 and 454 cu.in. All Models Inboard Center Riser Generic



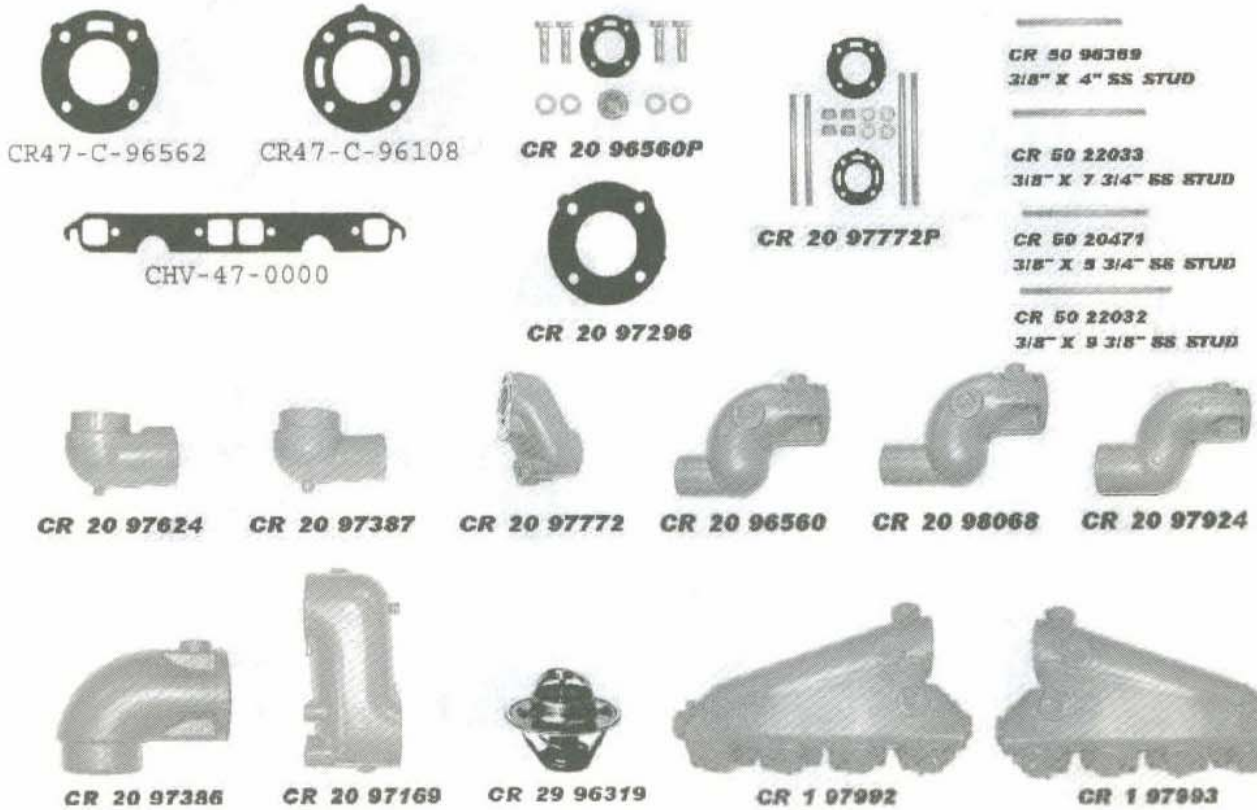
**Part #**

1-0105  
 1-0107  
 CHVA-1-84  
 20-0082  
  
 20-0089 P  
  
 CHVA-47-0000  
  
 1-0104 P  
  
 1-0106 P  
  
 20-0097  
 CHVA-1-84 SS P  
 20-0082 SS P  
 20-0100

**Detailed Description**

Center riser manifold-to-riser gasket for fresh water (heat exchanger) cooling.  
 Center riser manifold-to-riser gasket (raw-water cooling).  
 Manifold (comes complete with mounting hardware).  
 Riser (comes complete with mounting hardware and manifold-to-riser gasket). Standard for use with 3" i.d. exhaust hose.  
 30 degree exhaust elbow adaptor (includes adaptor, hose and clamps). For use with 3" i.d. exhaust hose. (Order (2) of the appropriate exhaust packages according to your requirements.)  
 Manifold-to-cylinder head gasket. (Order (2) of the appropriate exhaust packages according to your requirements.)  
 Adaptor package to fresh water cool manifold. (includes gaskets and block-off plate). (Order (2) of the appropriate exhaust packages according to your requirements.)  
 Adaptor package-raw water (includes gaskets and block-off plate with vent hole). (Order (2) of the appropriate exhaust packages according to your requirements.)  
 3" spacer block (complete with hardware including 3/4" NPT pipe plug) capable of stacking.  
 Manifold stainless mounting package (includes stainless steel bolts and brass pipe plugs).  
 Riser stainless mounting package (includes stainless steel bolts, gasket and brass pipe plug).  
 Riser (comes complete with mounting hardware and manifold-to-riser gasket). Standard for use with 4" i.d. exhaust hose.

## Crusader V8 - 454 and 502 cu.in. All Models Inboard Center Riser Generic



**Part #**

CR-1-97992  
 CR-1-97993  
 CR-20-96560  
 CR-20-98068  
 CR-20-97924  
 CR-20-97772  
 CR-20-97926  
 CR47-C-96562  
 CR47-C-96108  
 CHVA-47-0000  
 CR-29-96319  
 CR-20-97772P  
 CR-1-9777P  
 CR-20-96560P  
 CR-20-97387  
 CR-20-97386  
 CR-20-97169  
 CR-20-97624

**Detailed Description**

Direct replacement port side exhaust manifold. (Replaces Crusader # 97992).  
 Direct replacement stbd side exhaust manifold. (Replaces Crusader # 97993).  
 Direct replacement 3" exhaust elbow.  
 Direct replacement 3" exhaust elbow (for use without 15/16" spacer).  
 Direct replacement 4" exhaust elbow.  
 Direct replacement 4" riser (use mntg. kit # CR-20-97772P).  
 Stainless steel block off plate (closed cooling applications).  
 Elbow gasket, 1 hole.  
 Elbow gasket, 3 hole.  
 Manifold to cylinder head gasket.  
 Thermostat at 143 degree.  
 Mounting kit for part # CR-20-97772.  
 Mounting kit for part #'s CR-1-97772 & CR-1-97773 (2 required per engine).  
 Mounting kit for part #'s CR-20-96560, CR-20-98068, & CR-20-97924 (one required per elbow).  
 Direct replacement 3" elbow.  
 Direct replacement elbow.  
 Direct replacement 8" riser.  
 Direct replacement 4" elbow.



## Crusader V8 - 302 and 351 cu.in. All Models All Years Center Riser Generic

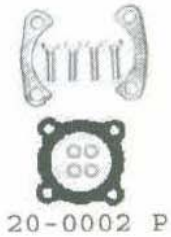


Part #	Detailed Description
FM-1-83	Manifold (comes complete with mounting hardware).
20-0082	Riser (comes complete with mounting hardware and manifold-to-riser gasket). Standard for use with 3" i.d. exhaust hose.
20-0085 P	Straight exhaust adaptor (includes adaptor, hose and clamps). For use with 2 1/2" i.d. exhaust hose. (Order (2) of the appropriate exhaust packages according to your requirements.)
20-0088 P	30 degree exhaust elbow adaptor (includes adaptor, hose and clamps). For use with 2 1/2" i.d. exhaust hose. (Order (2) of the appropriate exhaust packages according to your requirements.)
20-0089 P	30 degree exhaust elbow adaptor (includes adaptor, hose and clamps). For use with 3" i.d. exhaust hose. (Order (2) of the appropriate exhaust packages according to your requirements.)
20-0087 P	90 degree exhaust elbow adaptor for stern-drive applications (includes adaptor, hose and clamps). For use with 3" i.d. exhaust hose. (Order (2) of the appropriate exhaust packages according to your requirements.)
20-0086 P	90 degree exhaust elbow adaptor for stern-drive applications (includes adaptor, hose and clamps). For use with 2 1/2" i.d. exhaust hose. (Order (2) of the appropriate exhaust packages according to your requirements.)
20-0093 P	90 degree exhaust elbow for stern-drive applications (includes adaptor, hose and clamps). For use with 3 1/2" or 4" i.d. exhaust hose. (Order (2) of the appropriate exhaust packages according to your requirements.)
FM-47-0000	Manifold-to-cylinder head gasket.
1-0104 P	Adaptor package to fresh water cool manifold (includes gaskets and block-off plate).
1-0106 P	Adaptor package-raw water (includes gaskets and block-off plate with vent hole).
FM-1-83 SS P	Manifold stainless mounting package (includes stainless steel bolts and brass pipe plugs).
20-0082 SS P	Riser stainless mounting package (includes stainless steel bolts, gasket and brass pipe plug).
20-0100	Riser (comes complete with mounting hardware and manifold-to-riser gasket). Standard for use with 4" i.d. exhaust hose.
1-0105	Center riser manifold-to-riser gasket for fresh water (heat exchanger) cooling.
1-0107	Center riser manifold-to-riser gasket (raw-water cooling).

## Crusader V8 - 348, 390 and 409 cu.in. Log Style Generic



20-0034  
or  
20-0035



**Part #**

CR-1-6165 L & R

20-0055

20-0039

20-0000

20-0034 or 20-0035

20-0002 P

**Detailed Description**

Water-cooled manifolds. (Price Each)

30 degree exhaust elbow connector. Use where exhaust risers are not required. Fully jacketed. Accepts 2 1/2" or 3" i.d. exhaust hose. Swivels. Requires (1) mounting hardware kit # 20-0002 P per connector. (Order (2) of the appropriate exhaust connectors according to your requirements.)

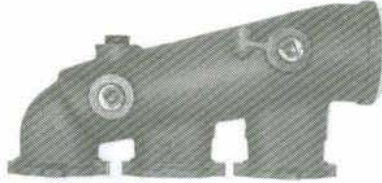
Fully jacketed swivel-type exhaust riser. Use when replacing square-type exhaust pots, may be necessary where after-deck is lower than engine. 7" riser protection. Requires (2) mounting hardware kits # 20-0002 P plus (1) exhaust connector # 20-0035 (for 2 1/2" i.d. exhaust hose) or (1) exhaust connector # 20-0034 (for 3" i.d. exhaust hose) per riser. (Order (2) of the appropriate exhaust connectors according to your requirements.)

High discharge exhaust riser. 8 1/2" riser protection. Requires (1) mounting hardware kit # 20-0002 P per riser. Use only with 2 7/8" to 3" i.d. exhaust hose. (Order (2) of the appropriate exhaust connectors according to your requirements.)

(1) Exhaust connector # 20-0035 (for 2 1/2" i.d. exhaust hose) or (1) exhaust connector # 20-0034 (for 3" i.d. exhaust hose) per riser.

Mounting hardware kit.

# Detroit Diesel 3-71 and 6V-71 Log Style Direct Replacement

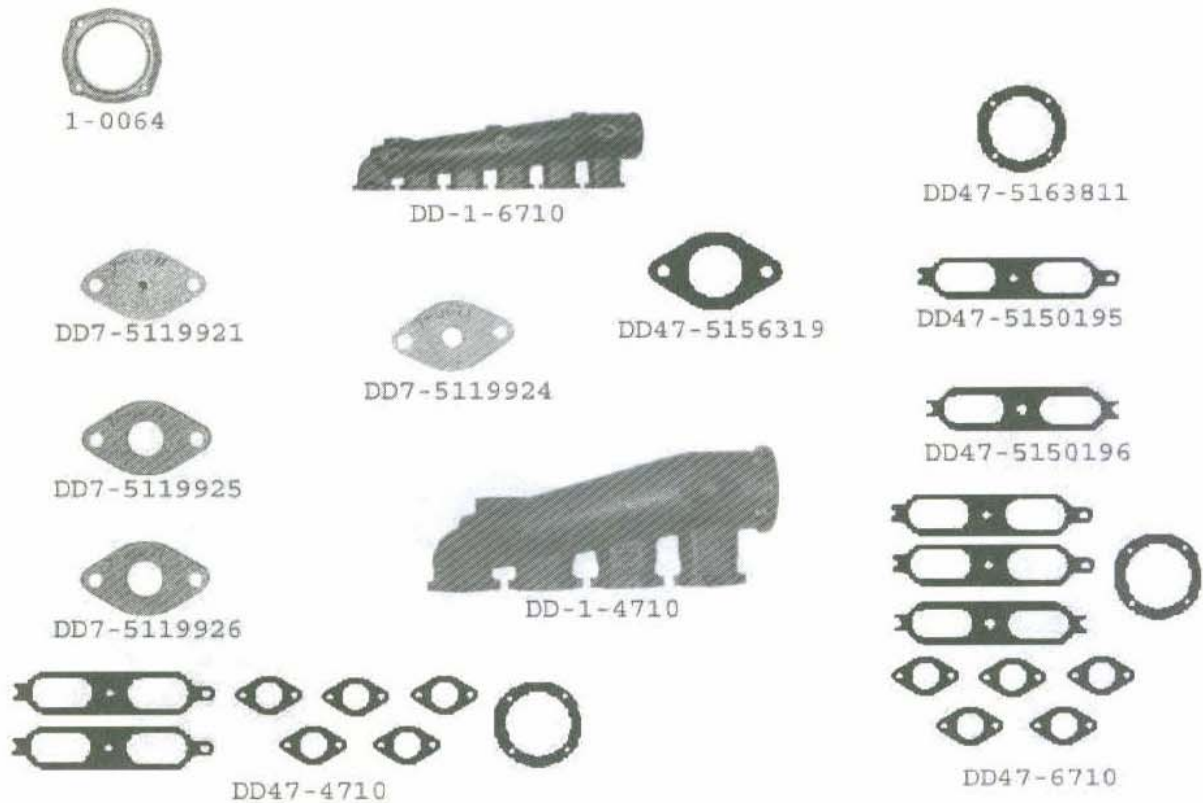


DD-1-3710

**Part #**  
DD-1-3710

**Detailed Description**  
Water-cooled exhaust manifold. (1) for 3-71 (2) for 6V-71

## Detroit Diesel 4-71, 8V-71, 6-71 and 12V-71 Log Style Direct Replacement



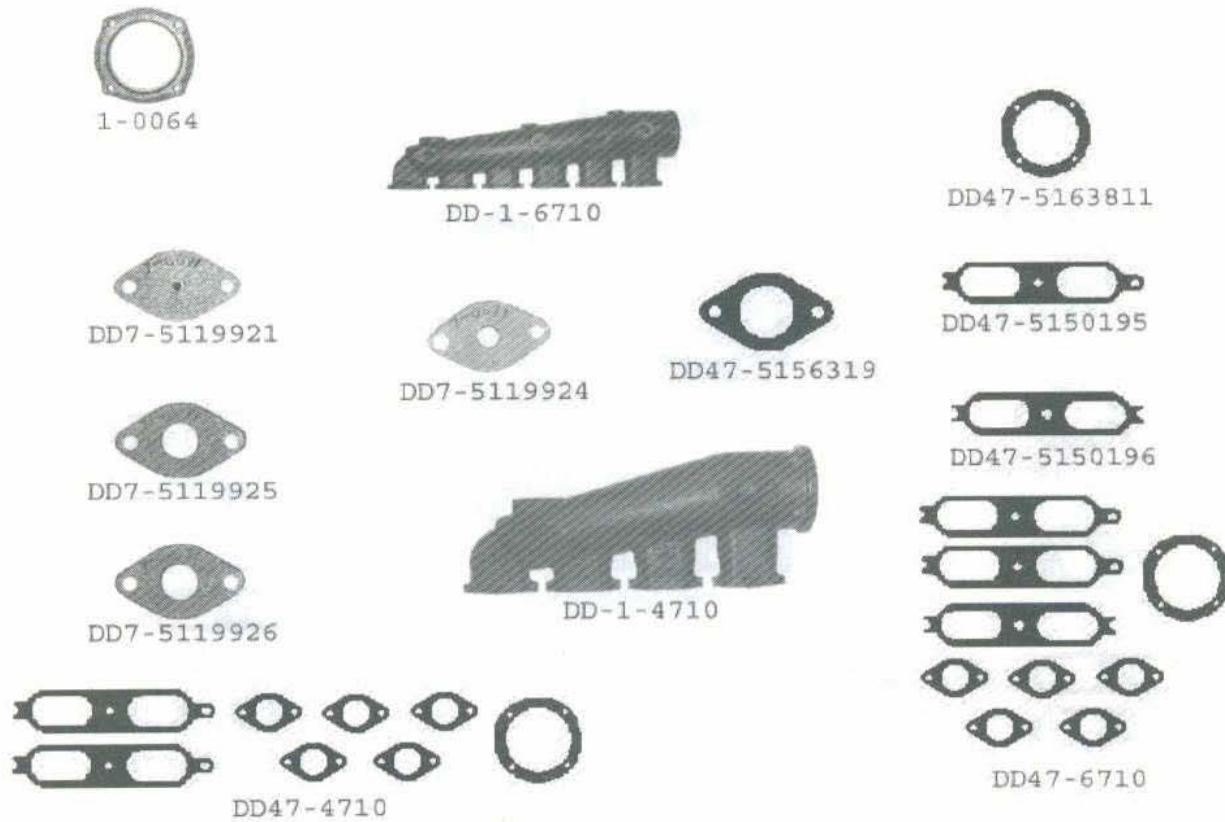
### Part #

DD-1-4710  
DD-1-6710  
1-0064  
DD7-5119921  
DD7-5119924  
DD7-5119925  
DD7-5119926  
DD47-4710  
DD47-6710  
DD47-5163811  
DD47-5150195  
DD47-5150196  
DD47-5156319

### Detailed Description

Water-cooled exhaust manifold. (Qty. 1 for 4-71) (Qty. 2 for 8V-71)  
Water-cooled exhaust manifold. (Qty. 1 for 6-71) (Qty. 2 for 12V-71)  
4" NPT exhaust end plate. Replaces Detroit part # 5164146 (Order (1) per manifold if required.)  
Water cover plate and gasket-blank.  
Water cover plate and gasket 3/8" NPT water connection.  
Water cover plate and gasket 1/2" NPT water connection.  
Water cover plate and gasket 3/4" NPT water connection.  
Exhaust manifold gasket set. (Qty. 1 for 4-71) (Qty. 2 for 8V-71)  
Exhaust manifold gasket set. (Qty. 1 for 6-71) (Qty. 2 for 12V-71)  
4" exhaust outlet gasket. (Order (1) per manifold if required.)  
Exhaust manifold face gasket. (Qty. 2 for 4-71) (Qty. 4 for 8V-71) (Qty. 2 for 6-71) (Qty. 4 for 12V-71)  
Exhaust manifold face gasket. (Qty. 1 for 6-71) (Qty. 2 for 12V-71)  
Exhaust manifold cover plate gasket.

# Detroit Diesel 4-92, 8V-92, 6-92, 12V-92 and 16V-92 Log Style Direct Replacement



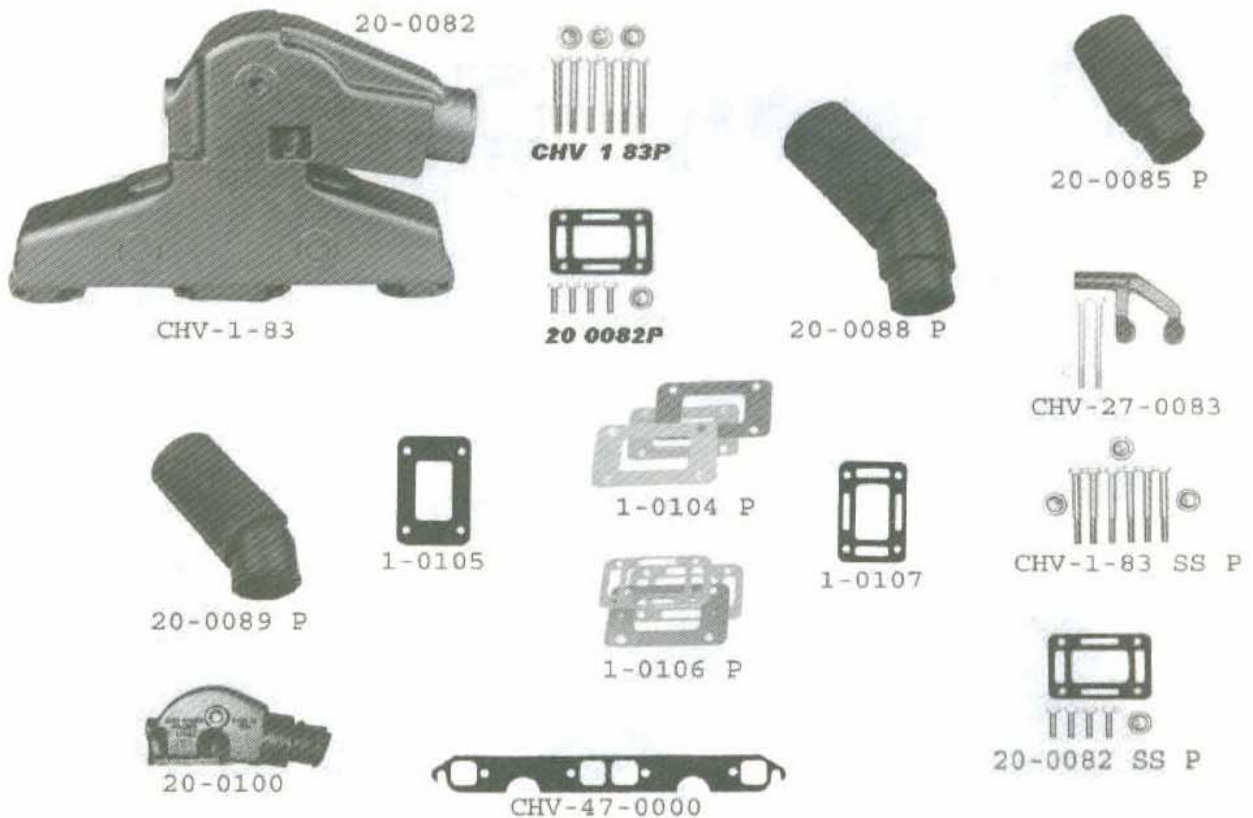
**Part #**

DD-1-4710  
 DD-1-6710  
 1-0064  
 DD7-5119921  
 DD7-5119924  
 DD7-5119925  
 DD7-5119926  
 DD47-4710  
 DD47-6710  
 DD47-5163811  
 DD47-5150195  
 DD47-5150196  
 DD47-5156319

**Detailed Description**

Water-cooled exhaust manifold. Order (1) for 4-92 (2) for 8V-92 (4) for 16V-92  
 Water-cooled exhaust manifold. Order (1) for 6-92 (2) for 12V-92  
 4" NPT exhaust end plate. Replaces Detroit part # 5164146 (Order (1) per manifold if required.)  
 Water cover plate and gasket-blank.  
 Water cover plate and gasket 3/8" NPT water connection.  
 Water cover plate and gasket 1/2" NPT water connection.  
 Water cover plate and gasket 3/4" NPT water connection.  
 Exhaust manifold gasket set Order (1) for 4-92 (2) for 8V-92  
 Exhaust manifold gasket set Order (1) for 6-71 (2) for 12V-871  
 4" exhaust outlet gasket. (Order (1) per manifold if required.)  
 Exhaust manifold face gasket. Order (2) for 4-92 (4) for 8V-92 (2) for 6-92 (4) for 12V-92 (8) for 16V-92  
 Exhaust manifold face gasket. Order (1) for 6-92 (2) for 12V-92  
 Exhaust manifold cover plate gasket.

## Flagship V8 - 283, 327 and 350 cu. in. Center Riser Generic



**Part #**

CHV-1-83  
20-0082

20-0085 P

20-0089 P

20-0088 P

CHV-27-0083

CHV-47-0000

1-0104 P

1-0106 P

CHV-1-83 SS P

20-0082 SS P

20-0100

1-0105

1-0107

**Detailed Description**

Manifold (comes complete with mounting hardware).

Riser (comes complete with mounting hardware and manifold-to-riser gasket). Standard for use with 3" i.d. exhaust hose.

Straight exhaust adaptor (includes adaptor, hose and clamps). For use with 2 1/2" i.d. exhaust hose. (Order (2) of the appropriate exhaust packages according to your requirements.)

30 degree exhaust elbow adaptor (includes adaptor, hose and clamps). (Order (2) of the appropriate exhaust packages according to your requirements.)

30 degree exhaust elbow adaptor (includes adaptor, hose and clamps). (Order (2) of the appropriate exhaust packages according to your requirements.)

Alternator bracket.

Manifold -to-cylinder head gasket.

Adaptor package to fresh water cool manifold (includes gaskets and block-off plate).

Adaptor package-raw water cool (includes gaskets and block-off plate with vent hole).

Manifold stainless mounting package (includes stainless steel bolts and brass pipe plug).

Riser stainless mounting package (includes stainless steel bolts, gasket and brass pipe plugs).

Riser (comes complete with mounting hardware and manifold-to-riser gasket). Standard for use with 4" i.d. exhaust hose.

Center riser manifold-to-riser gasket for fresh water (heat exchanger) cooling.

Center riser manifold-to-riser gasket (raw-water cooling).

## Flagship V8 - 283, 327 and 350 cu. in. Log Style Generic



OF-1-60 L & R



1-0019

20-0039



20-0034  
or  
20-0035



OF-1-60F P



20-0031



20-0000



20-0055



20-0002 P



CHV-47-0000

**Part #**

OF-1-60 L & R  
OF-1-60F P

20-0055

20-0039

20-0000

20-0031

CHV-47-0000

20-0034 or 20-0035

20-0002 P

1-0019

**Detailed Description**

Log-type manifolds. (Price Each)

Manifold to cylinder head mounting package. Installation kit (includes all hardware hoses, fittings and instructions to install manifolds on engine).

30 degree exhaust elbow connector. Fully jacketed. Accepts 2 1/2" or 3" i.d. exhaust hose. Swivels. Requires (1) mounting hardware kit # 20-0002 P per connector. (Order (2) of the appropriate exhaust connectors according to your requirements.)

Fully jacketed swivel-type exhaust riser. 7" riser protection. Requires (2) mounting hardware kits # 20-0002 P plus (1) exhaust connector # 20-0035 for 2 1/2" i.d. exhaust hose) or (1) exhaust connector # 20-0034 (for 3" i.d. exhaust hose per riser. (Order the appropriate exhaust connectors according to your requirements.)

High discharge exhaust riser. 8 1/2" riser protection. Requires (1) mounting hardware kit # 20-0002 P per riser. Use only with 2 7/8" to 3" i.d. exhaust hose. (Order (2) of the appropriate exhaust connectors according to your requirement.)

90 degree exhaust elbow connector with internal water discharge. Accepts 2 1/2" or 3" i.d. exhaust hose. Swivels. Requires (1) mounting hardware kit # 20-0002 P per connector. (Order (2) of the appropriate exhaust connectors according to your requirements.)

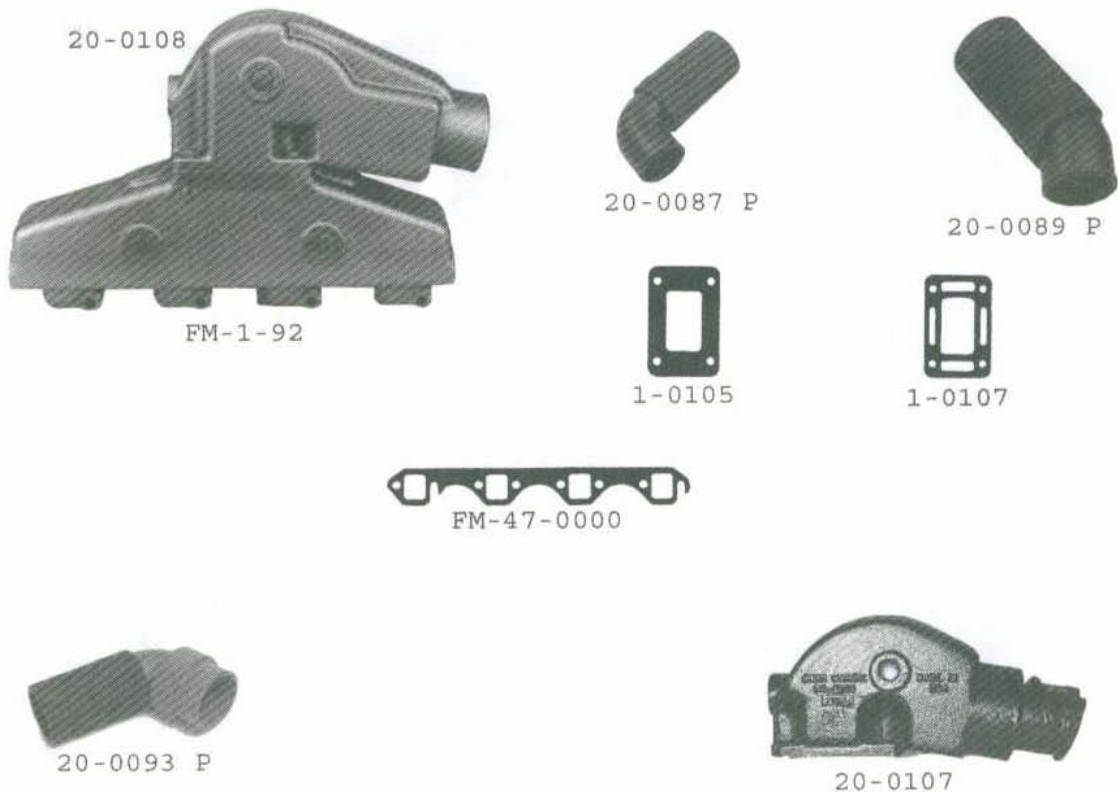
Manifold-to-cylinder head gasket.

(1) exhaust connector # 20-0035 for 2 1/2" i.d. exhaust hose) or (1) exhaust connector # 20-0034 (for 3" i.d. exhaust hose per riser).

Mounting hardware kit.

End plate gasket.

## Ford Small Block V8 (Aluminum) 302 and 351 cu. in. All Models Center Riser Generic



<b>Part #</b>	<b>Detailed Description</b>
FM-1-92	Manifold (comes complete with mounting hardware).
20-0107	Riser (comes complete with mounting hardware and manifold-to-riser gasket). Standard for use with 4" i.d. exhaust hose.
20-0108	Riser (comes complete with mounting hardware and manifold-to-riser gasket). Standard for use with 3" i.d. exhaust hose.
20-0087 P	90 degree exhaust elbow adaptor for stern-drive applications (includes adaptor, hose and clamps). For use with 3" i.d. exhaust hose. (Order (2) of the appropriate exhaust packages according to your requirements.)
20-0089 P	30 degree exhaust elbow adaptor for stern-drive applications (includes adaptor, hose and clamps). For use with 3" i.d. exhaust hose. (Order (2) of the appropriate exhaust packages according to your requirements.)
20-0093 P	90 degree exhaust elbow adaptor for stern-drive applications (includes adaptor, hose and clamps). For use with 3 1/2" or 4" i.d. exhaust hose. (Order (2) of the appropriate exhaust packages according to your requirements.)
1-0105	Center riser manifold-to-riser gasket for fresh water (heat exchanger) cooling.
1-0107	Center riser manifold-to-riser gasket (raw-water cooling).
CHVA-47-0000	Manifold-to-cylinder head gasket. (Order (2) of the appropriate exhaust packages according to your requirements.)

**NOTE:** The center riser is a two-piece aluminum manifold/riser ideally suited for replacement use where riser protection is required. The Barr Center Riser aluminum manifold/riser uses flexible exhaust hose which facilitates connection to existing exhaust lines. All elbows (cast iron) can swivel inboard or outboard for perfect fit. The Barr Center Riser aluminum manifold/riser is designed to limit back pressure on the engine, resulting in more efficient engine performance. The manifold and riser can be reversed and will fit either side of the engine.

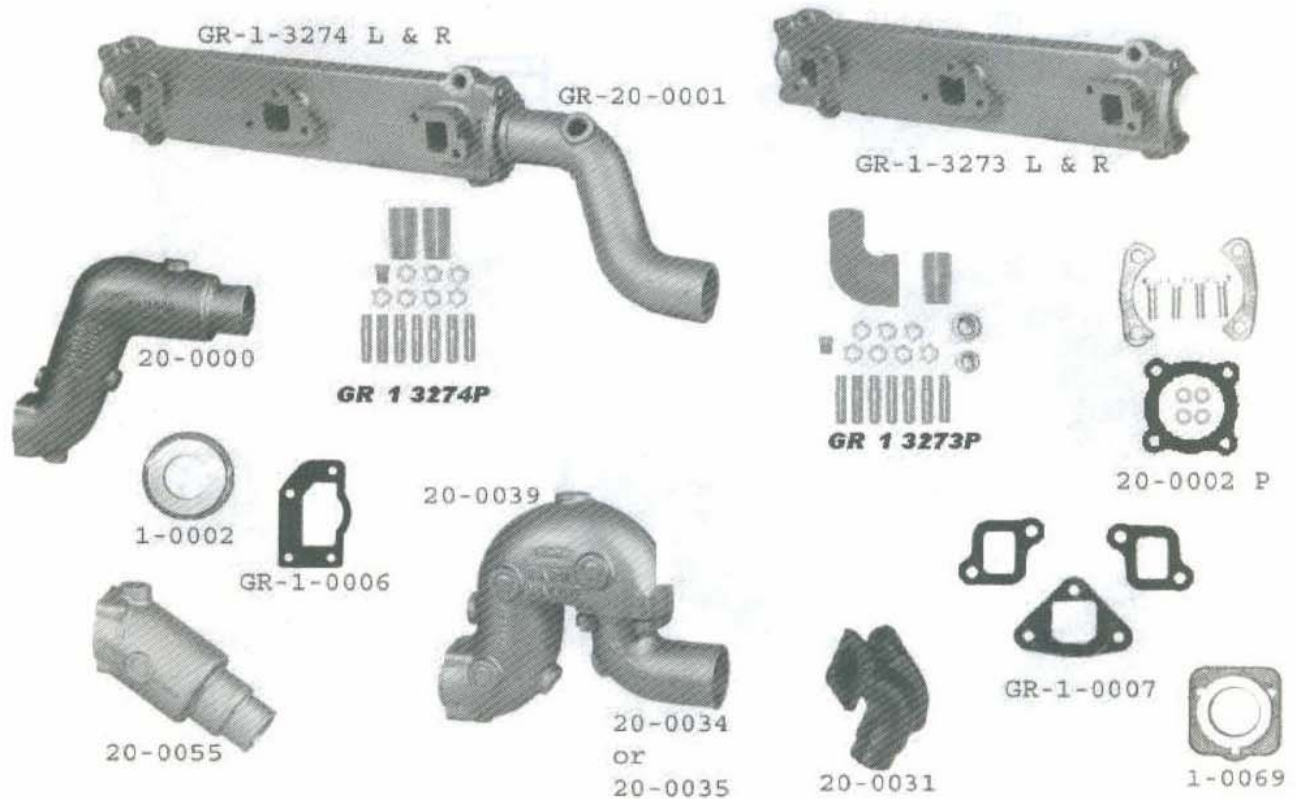


## Graymarine 4 and 6 - Cylinder In-Line Models Generic



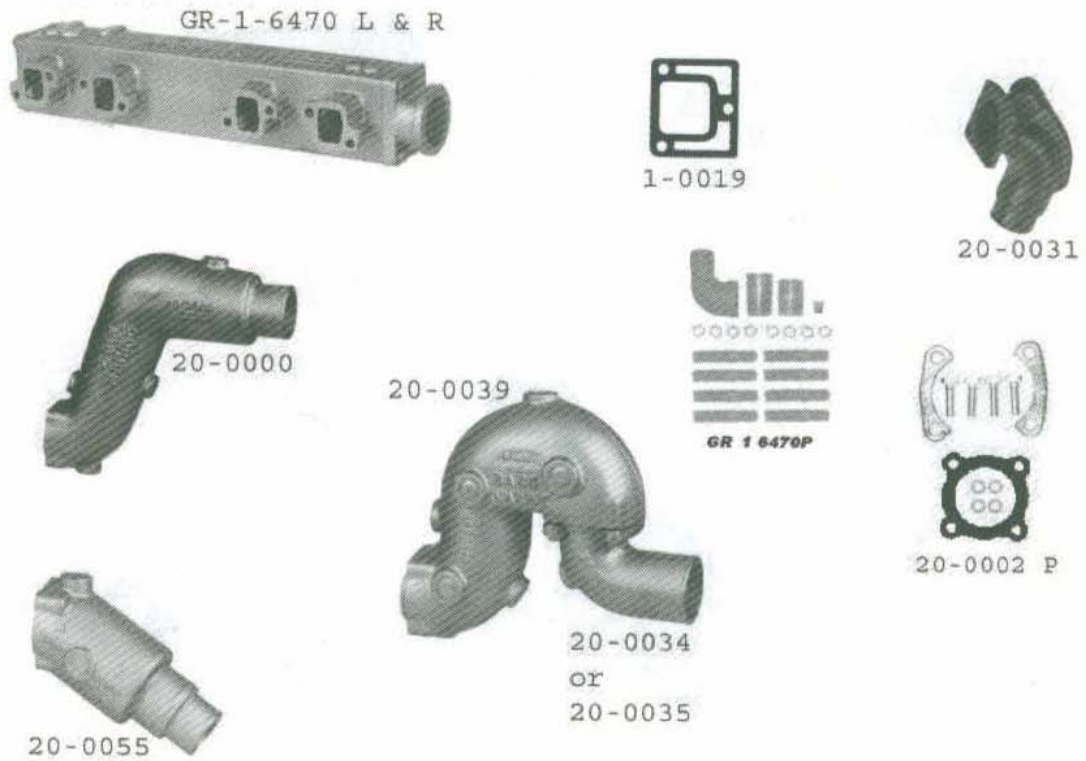
Part #	Detailed Description
GR-1-162	Manifold. Fits 4-cylinder Models 620, 4-62 and 70. Use with OEM risers or elbow connectors or replace with Barr products. (Order (1) of the appropriate manifolds according to your requirements.)
GR-1-175	Manifold. Fits 4-cylinder Models 4-75, 80, and 4-85. Use with OEM risers or elbow connectors or replace with Barr products. (Order (1) of the appropriate manifolds according to your requirements.)
GR-1-226	Manifold. Fits all 6-cylinder 226 cu.in. models. Available for single updraft carburetor only. Use with OEM risers or elbow connectors or replace with Barr products. (Order (1) of the appropriate manifolds according to your requirements.)
20-0055	30 degree exhaust elbow connector, fully jacketed. Accepts 2 1/2" or 3" i.d. exhaust hose. Swivels. Requires (1) exhaust pipe flange # GR-1-0001 (threaded for 2" std. female pipe thread), (1) adaptor # 20-0008, a 2" galvanized close pipe nipple (purchased locally), and (1) mounting hardware kit # 20-0009 P. (Order (2) of the appropriate exhaust connectors according to your requirements.)
20-0039	Fully jacketed swivel-type exhaust riser. 7" riser protection. Requires (2) mounting hardware kits # 20-0002 P plus (1) exhaust connector # 20-0035 (for 2 1/2" i.d. exhaust hose) or (1) exhaust connector # 20-0034 (for 3" i.d. exhaust hose) per riser. Use for models F,G, K and Q. Requires CC-6-80. (Order (2) of the appropriate exhaust connectors and adaptors according to your requirements.)
20-0000	High discharge exhaust riser 8 1/2" riser protection. Requires (1) exhaust pipe flange # GR-1-0001, adaptor # 20-0008, a 2" galvanized close pipe nipple (purchased locally), and (1) mounting hardware kit # 20-0009 P. Use only with 2 7/8" to 3" i.d. exhaust hose. (Order (2) of the appropriate exhaust connectors according to your requirements.)
20-0031	90 degree exhaust elbow connector with internal water discharge. Accepts 2 1/2" or 3" i.d. exhaust hose. Swivels. Requires (1) exhaust pipe flange # GR-1-0001 (threaded for 2" std. female pipe thread), (1) adaptor for 2" std. pipe thread # 20-0008, a 2" galvanized close pipe nipple (purchased locally), and (1) mounting hardware kit # 20-0009 P. (Order (2) of the appropriate exhaust connectors according to your requirements.)
GR-1-0001	Exhaust pipe flange (threaded for 2" std. female pipe thread),
20-0008	Adaptor
20-0009 P	Mounting hardware kit.
20-0034 or 20-0035	(1) Exhaust connector # 20-0035 for 2 1/2" i.d. exhaust hose) or (1) exhaust connector # 20-0034 (for 3" i.d. exhaust hose) per riser.
20-0002P	Mounting hardware kit.

## Graymarine Fireball V8 - 250 and 327 cu.in. All Models Log Style Generic



Part #	Detailed Description
GR-1-3273 L & R	Water-cooled manifold for older style 3-bolt end manifold. Use with OEM risers and connectors or replace with Barr products (except as noted opposite). Requires (1) mounting gasket set # GR-1-0007. (Pair) (Price Each)
GR-1-3274 L & R	Water-cooled manifold for later style 4-bolt end manifold. Use with OEM risers and connectors or replace with Barr products (except as noted opposite). Requires (1) mounting gasket set # GR-1-0007. (Pair) (Price Each)
20-0055	30 degree exhaust elbow connector, fully jacketed. Accepts 2 1/2" or 3" i.d. exhaust hose. Swivels. Requires either adaptor # 1-0069 (for 3-bolt end plate) or (1) adaptor # 1-0002 (for 4-bolt end plate), and (1) mounting hardware kit # 20-0002 P per connector. (Order (2) of the appropriate exhaust connectors according to your requirements.)
20-0039	Fully jacketed swivel-type exhaust riser. 7" riser protection. Requires either (1) adaptor # 1-0069, (for 3-bolt end plate) or (1) adaptor # 1-0002 (for 4-bolt end plate), or either (1) exhaust connector # 20-0035 (for 2 1/2 i.d. exhaust hose), or (1) exhaust connector # 20-0034 (for 3" i.d. exhaust hose), and (2) mounting hardware kits # 20-0002 P per riser. Not applicable to flywheel forward engine models due to rear motor support interference. (Order (2) of the appropriate exhaust connectors according to your requirements.)
20-0000	High discharge exhaust riser 8 1/2" riser protection. Requires either (1) adaptor # 1-0069, (for 3-bolt end plate) and (1) mounting hardware kit # 20-0002 P per riser. Use only with 2 7/8" to 3" i.d. exhaust hose. (Order (2) of the appropriate exhaust connectors according to your requirements.)
20-0031	90 degree exhaust elbow connector with internal water discharge. Accepts 2 1/2" or 3" i.d. exhaust hose. Swivels. Requires either (1) adaptor # 1-0069 (for 3-bolt end plate) or (1) adaptor # 1-0002 (for 4-bolt end plate) and (1) mounting hardware kit # 20-0002 P per connector. (Order (2) of the appropriate exhaust connectors according to your requirements.)
GR-20-0001	"S" turn tail-pipe connector as direct replacement of original. Requires (2) clamps # GR-20-0002 per connector. When use with 3-bolt Barr manifold, replace rear manifold flange with rear end plate # GR-1-0002-L and GR-1-0002-R
20-0034 or 20-0035	(1) exhaust connector # 20-0035 for 2 1/2" i.d. exhaust hose) or (1) exhaust connector # 20-0034 (for 3" i.d. exhaust hose per riser).
20-0002 P	Mounting hardware kit.
1-0069	Adaptor for 3-bolt end plate.
1-0002	Adaptor for 4-bolt end plate.
GR-1-0007	Mounting gasket set.
GR-1-0006	End plate gasket.

# Graymarine V8 - 401 cu.in. 280 h.p. Log Style Generic



**Part #**

GR-1-6470 L & R

20-0055

20-0039

20-0000

20-0031

20-0034 or 20-0035

20-0002 P

1-0019

**Detailed Description**

Water-cooled exhaust manifolds. Includes all fittings, hose adaptors and primary water pump mounting provision. Accepts Barr replacement risers and exhaust connectors only. (Price Each)

30 degree exhaust elbow connector, fully jacketed. Accepts 2 1/2" or 3" i.d. exhaust hose. Swivels. Requires (1) mounting hardware kit # 20-0002 P per connector. (Order (2) of the appropriate exhaust connectors according to your requirements.)

Fully jacketed swivel-type exhaust riser. 7" riser protection. Requires (2) mounting hardware kits # 20-0002 P plus (1) exhaust connector # 20-0035 (for 2 1/2 i.d. exhaust hose) or (1) exhaust connector # 20-0034 (for 3" i.d. exhaust hose) per riser. (Order (2) of the appropriate exhaust connectors according to your requirements.)

High discharge exhaust riser. 8 1/2" riser protection. Requires (1) mounting hardware kit # 20-0002 P per riser. Use only with 2 7/8" to 3" i.d. exhaust hose. (Order (2) of the appropriate exhaust connectors according to your requirements.)

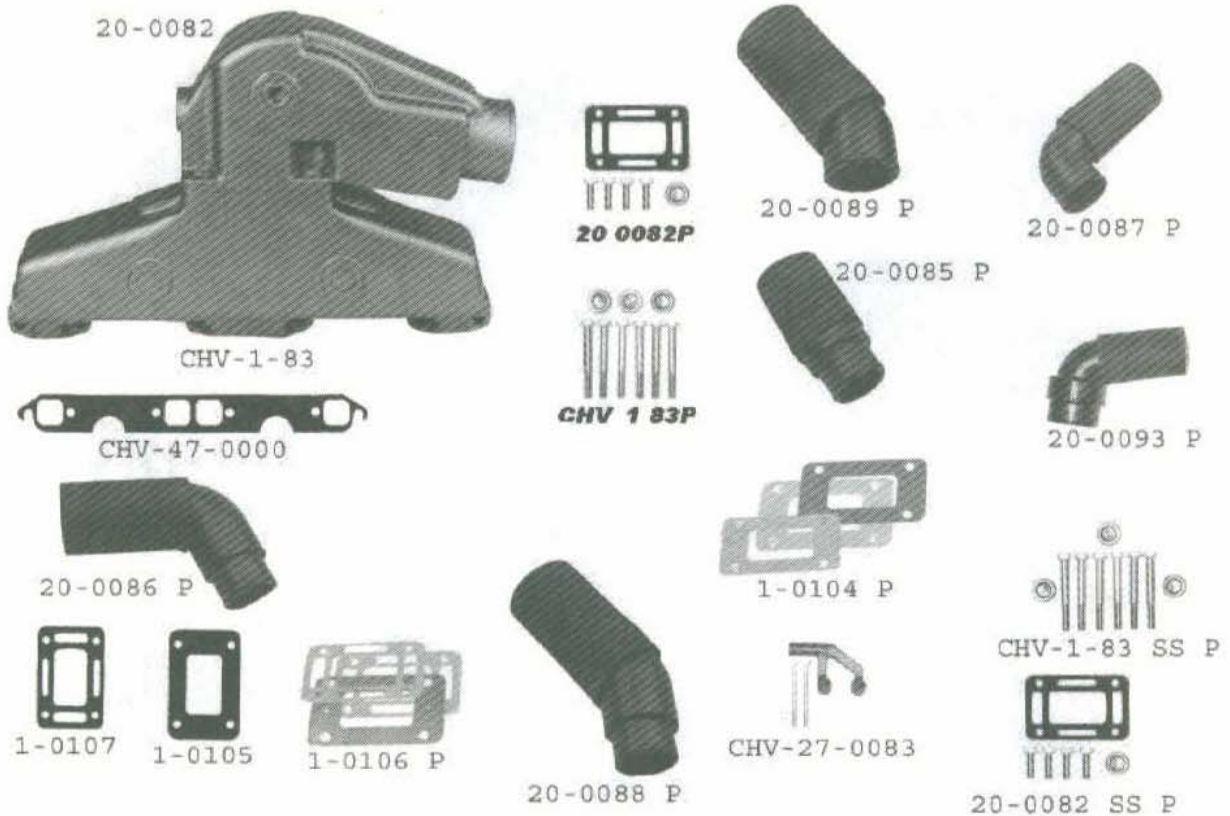
90 degree exhaust elbow connector with internal water discharge. Accepts 2 1/2" or 3" i.d. exhaust hose. Swivels. Requires (1) mounting hardware kit # 20-0002 P per connector. (Order (2) of the appropriate exhaust connectors according to your requirements.)

(1) exhaust connector # 20-0035 for 2 1/2" i.d. exhaust hose or (1) exhaust connector # 20-0034 for 3" i.d. exhaust hose per riser.

Mounting hardware kit.

End plate gasket.

## Indmar V8 - 283, 305, 307, 327 and 350 cu.in. All Models Center Riser Generic



### Part #

CHV-1-83  
20-0082  
  
20-0085 P  
20-0088 P  
20-0089 P  
20-0087 P  
20-0086 P  
  
20-0093 P  
  
CHV-27-0083  
CHV-47-0000  
1-0104 P  
1-0106 P  
CHV-1-83 SS P  
20-0082 SS P  
1-0105  
1-0107

### Detailed Description

Manifold (comes complete with mounting hardware).  
Riser (comes complete with mounting hardware and manifold-to riser gasket). Standard for use with 3" i.d. exhaust hose.  
Straight exhaust adaptor (includes adaptor, hose and clamps). For use with 2 1/2" i.d. exhaust hose. (Order (2) of the appropriate exhaust packages according to your requirements.)  
30 degree exhaust elbow adaptor (includes adaptor, hose and clamps). For use with 3" i.d. exhaust hose. (Order (2) of the appropriate exhaust packages according to your requirements.)  
30 degree exhaust elbow adaptor (includes adaptor, hose and clamps). For use with 3" i.d. exhaust hose. (Order (2) of the appropriate exhaust packages according to your requirements.)  
90 degree exhaust elbow adaptor for stern-drive applications (includes adaptor, hose and clamps). For use with 3" i.d. exhaust hose. (Order (2) of the appropriate exhaust packages according to your requirements.)  
90 degree exhaust elbow adaptor for stern-drive applications (includes adaptor, hose and clamps). For use with 2 1/2" i.d. exhaust hose. (Order (2) of the appropriate exhaust packages according to your requirements.)  
90 degree exhaust elbow for stern-drive applications (includes adaptor, hose and clamps). For use with 3 1/2" or 4" i.d. exhaust hose. (Order (2) of the appropriate exhaust packages according to your requirements.)  
Alternator bracket.  
Manifold-to-cylinder head gasket.  
Adaptor package to fresh water cool manifold (includes gaskets and block-off plate).  
Adaptor package-raw water (includes gaskets and block-off plate with vent hole).  
Manifold stainless mounting package (includes stainless steel bolts and brass pipe plugs).  
Riser stainless mounting package (includes stainless steel bolts, gasket and brass pipe plug).  
Center riser manifold-to-riser gasket for fresh water (heat exchanger) cooling.  
Center riser manifold-to-riser gasket (raw-water cooling).

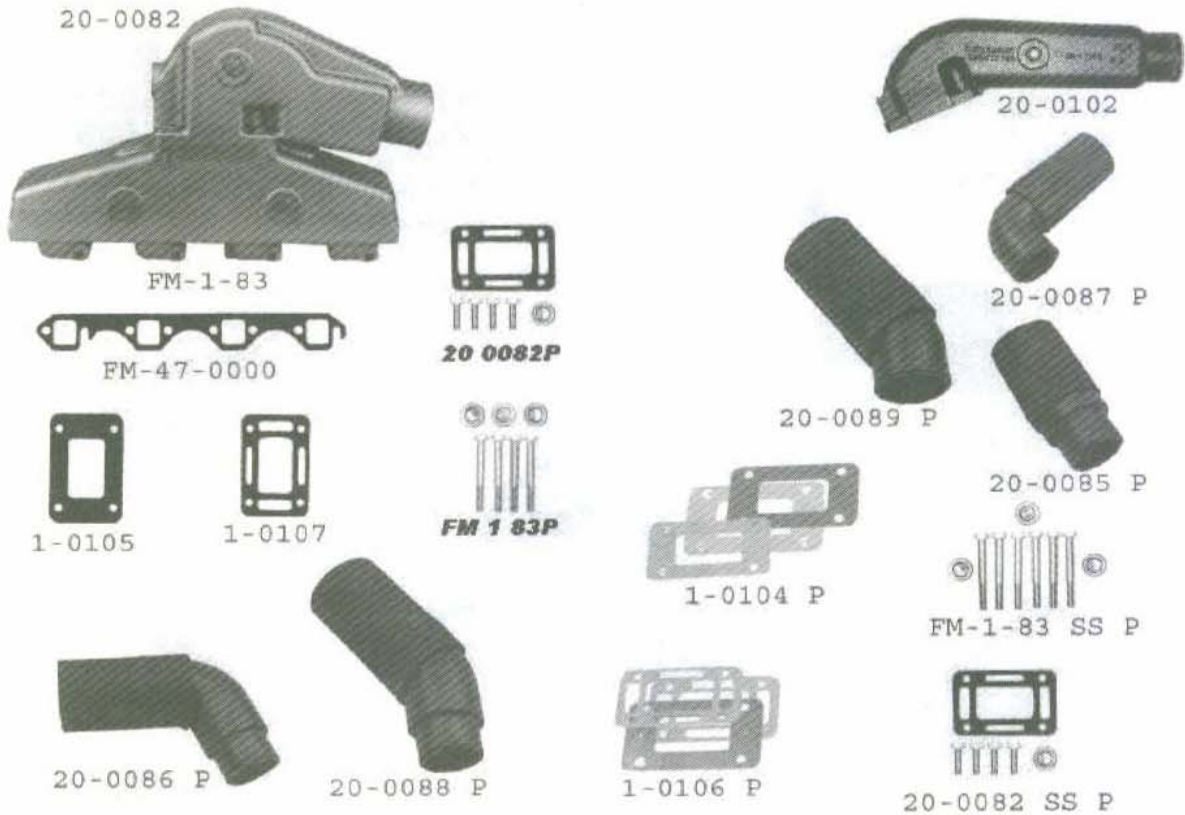
## Indmar V8 - 427 and 454 cu.in. All Models Inboard Center Riser Direct Replacement



<b>Part #</b>	<b>Detailed Description</b>
1-0105	Center riser manifold-to-riser gasket for fresh water (heat exchanger) cooling.
1-0107	Center riser manifold-to-riser gasket (raw-water cooling).
CHVA-1-84	Manifold (comes complete with mounting hardware).
20-0082	Riser (comes complete with mounting hardware and manifold-to-riser gasket). Standard for use with 3" i.d. exhaust hose.
20-0089 P	30 degree exhaust elbow adaptor (includes adaptor, hose and clamps). For use with 3" i.d. exhaust hose. (Order (2) of the appropriate exhaust packages according to your requirements.)
CHVA-47-0000	Manifold-to-cylinder head gasket. (Order (2) of the appropriate exhaust packages according to your requirements.)
1-0104 P	Adaptor package to fresh water cool manifold. (includes gaskets and block-off plate). (Order (2) of the appropriate exhaust packages according to your requirements.)
1-0106 P	Adaptor package raw-water (includes gaskets and block-off plate with vent hole). (Order (2) of the appropriate exhaust packages according to your requirements.)
20-0097	3" spacer block (complete with hardware including 3/4" NPT pipe plug) capable of stacking.
CHVA-1-84 SS P	Manifold stainless mounting package (includes stainless steel bolts and brass pipe plugs).
20-0082 SS P	Riser stainless mounting package (includes stainless steel bolts, gasket and brass pipe plug).

**NOTE:** The center riser is a two-piece aluminum manifold/riser ideally suited for replacement use where riser protection is required. The Barr Center Riser aluminum manifold/riser uses flexible exhaust hose which facilitates connection to existing exhaust lines. All elbows (cast iron) can swivel inboard or outboard for perfect fit. The Barr Center Riser aluminum manifold/riser is designed to limit back pressure on the engine, resulting in more efficient engine performance. The manifold and riser can be reversed and will fit either side of the engine.

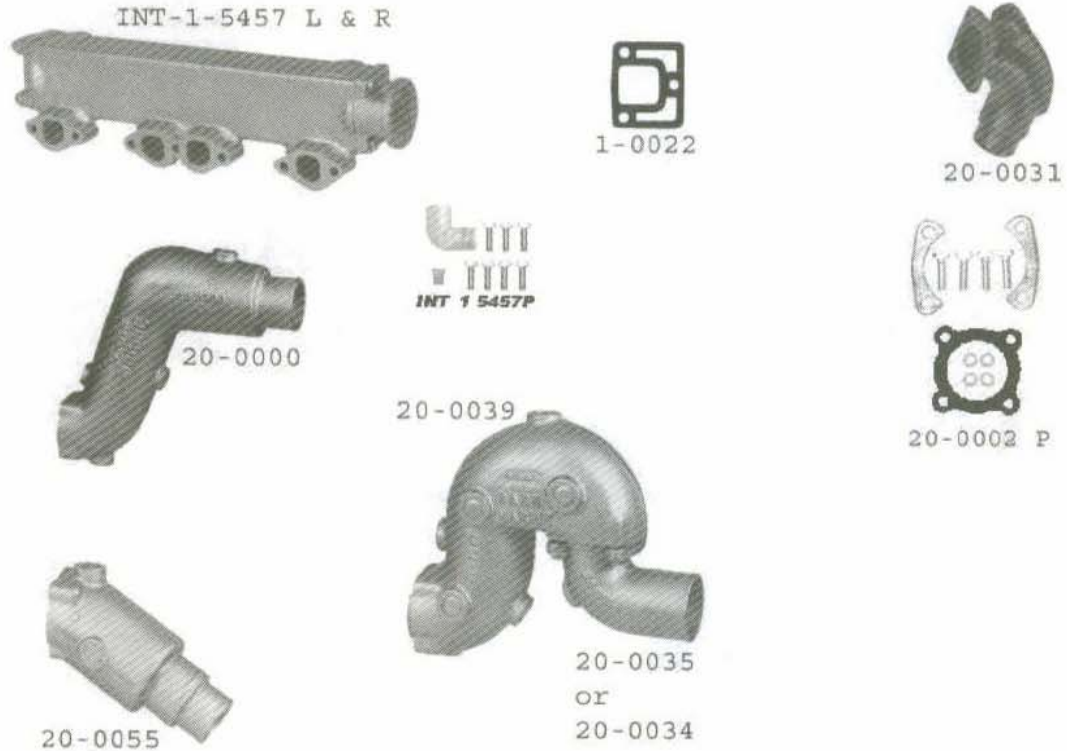
## Indmar V8 - 302 and 351 cu.in. All Models All Years Center Riser Generic



Part #	Detailed Description
FM-1-83	Manifold (comes complete with mounting hardware).
20-0082	Riser (comes complete with mounting hardware and manifold-to-riser gasket). Standard for use with 3" i.d. exhaust hose.
20-0102	Direct replacement riser, Indmar # 532009 (comes complete with mounting hardware and manifold-to-riser gasket). Standard for use with 3" i.d. exhaust hose. (Order (2) of the appropriate exhaust packages according to your requirements.)
20-0085 P	Straight exhaust adaptor (includes adaptor, hose and clamps). For use with 2 1/2" i.d. exhaust hose. (Order (2) of the appropriate exhaust packages according to your requirements.)
20-0089 P	30 degree exhaust elbow adaptor (includes adaptor, hose and clamps). For use with 3" i.d. exhaust hose. Order (2) of the appropriate exhaust packages according to your requirements.)
20-0088 P	30 degree exhaust elbow adaptor (includes adaptor, hose and clamps). For use with 2 1/2" i.d. exhaust hose. (Order (2) of the appropriate exhaust packages according to your requirements.)
20-0087 P	90 degree exhaust elbow adaptor for stern-drive applications (includes adaptor, hose and clamps). For use with 3" i.d. exhaust hose. (Order (2) of the appropriate exhaust packages according to your requirements.)
20-0086 P	90 degree exhaust elbow adaptor for stern-drive applications (includes adaptor, hose and clamps). For use with 2 1/2" i.d. exhaust hose. (Order (2) of the appropriate exhaust packages according to your requirements.)
FM-47-0000	Manifold-to-cylinder head gasket.
1-0104 P	Adaptor package to fresh water cool manifold (includes gaskets and block-off plate).
1-0106 P	Adaptor package raw-water (includes gaskets and block-off plate with vent hole).
FM-1-83 SS P	Manifold stainless mounting package (includes stainless steel bolts and brass pipe plugs).
20-0082 SS P	Riser stainless mounting package (includes stainless steel bolts, gasket and brass pipe plugs).
1-0105	Center riser manifold-to-riser gasket for fresh water (heat exchanger) cooling.
1-0107	Center riser manifold-to-riser gasket (raw-water cooling).

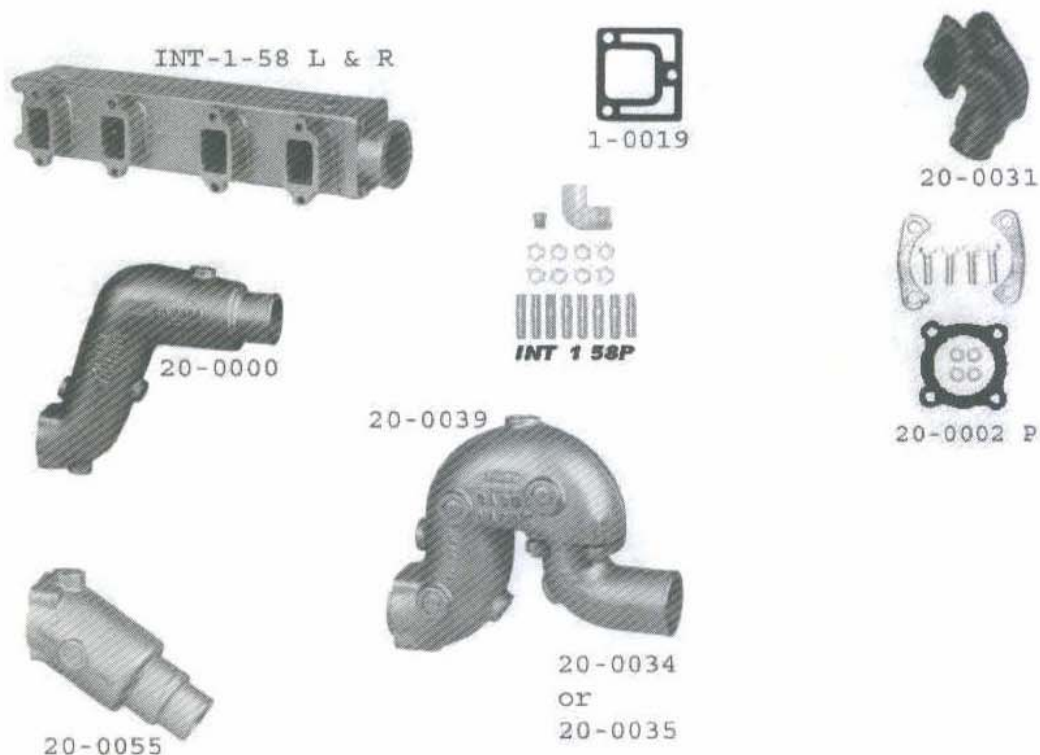
NOTE: The center riser is a two-piece manifold/riser ideally suited for replacement use where riser protection is required. Original equipment uses 3" i.d. exhaust hose. The Barr Center Riser Manifold uses flexible exhaust hose which facilitates connection to existing exhaust lines. All elbows can swivel inboard or outboard for perfect fit. The Barr Center Riser Manifold is designed to limit back pressure on the engine, resulting in more efficient engine performance. The manifold and riser can be reversed and will fit either side of the engine.

**Interceptor V8 - 239, 256, 272, 292 and 312 cu.in.  
and 125, 135, 150, 170, 185 and 215 h.p.  
Log Style Generic**



<b>Part #</b>	<b>Detailed Description</b>
INT-1-5457 L & R	Water-cooled manifolds. Use with Barr risers and exhaust connectors as listed below. The original interceptor exhaust connectors are not applicable to the Barr manifolds. (Price Each)
20-0055	30 degree exhaust elbow connector, fully jacketed. Accepts 2 1/2" or 3" i.d. exhaust hose. Swivels. Requires (1) mounting hardware kit # 20-0002 P per connector. (Order (2) of the appropriate exhaust connectors according to your requirements.)
20-0039	Fully jacketed swivel-type exhaust riser. 7" riser protection. Requires (2) mounting hardware kits # 20-0002 P plus (1) exhaust connector # 20-0035 (for 2 1/2" i.d. exhaust hose) or (1) exhaust connector # 20-0034 (for 3" i.d. exhaust hose) per riser. (Order (2) of the appropriate exhaust connectors according to your requirements.)
20-0000	High discharge exhaust riser. 8 1/2" riser protection. Requires (1) mounting hardware kit # 20-0002 P per riser. Use only with 2 7/8" to 3" i.d. exhaust hose. (Order (2) of the appropriate exhaust connectors according to your requirements.)
20-0031	90 degree exhaust elbow connector with internal water discharge. Accepts 2 1/2" or 3" i.d. exhaust hose. Swivels. Requires (1) mounting hardware kit # 20-0002 P per connector. (Order (2) of the appropriate exhaust connectors according to your requirements.)
20-0034 or 20-0035	(1) exhaust connector # 20-0035 for 2 1/2" i.d. exhaust hose or (1) exhaust connector # 20-0034 for 3" i.d. exhaust hose per riser.
20-0002 P	Mounting hardware kit.
1-0022	Barr manifold gasket.

**Interceptor V8 - 352, 390 and 427 cu.in.  
240, 250, 260, 285 and 300 h.p.  
Log Style Generic**



<b>Part #</b>	<b>Detailed Description</b>
INT-1-58 L & R	Water-cooled manifolds. Use with Barr risers and exhaust connectors as listed below. The original interceptor exhaust connectors are not applicable to the Barr manifolds. (Price Each)
20-0055	30 degree exhaust elbow connector, fully jacketed. Accepts 2 1/2" or 3" i.d. exhaust hose. Swivels. Requires (1) mounting hardware kit # 20-0002 P per connector. (Order (2) of the appropriate exhaust connectors according to your requirements.)
20-0039	Fully jacketed swivel-type exhaust riser. 7" riser protection. Requires (2) mounting hardware kits # 20-0002 P plus (1) exhaust connector # 20-0035 (for 2 1/2" i.d. exhaust hose) or (1) exhaust connector # 20-0034 (for 3" i.d. exhaust hose) per riser. (Order (2) of the appropriate exhaust connectors according to your requirements.)
20-0000	High discharge exhaust riser. 8 1/2" riser protection. Requires (1) mounting hardware kit # 20-0002 P per riser. Use only with 2 7/8" to 3" i.d. exhaust hose. (Order (2) of the appropriate exhaust connectors according to your requirements.) (Normal replacement for original.)
20-0031	90 degree exhaust elbow connector with internal water discharge. Accepts 2 1/2" or 3" i.d. exhaust hose. Swivels. Requires (1) mounting hardware kit # 20-0002 P per connector. (Order (2) of the appropriate exhaust connectors according to your requirements.)
20-0034 or 20-0035	(1) exhaust connector # 20-0035 for 2 1/2" i.d. exhaust hose or (1) exhaust connector # 20-0034 for 3" i.d. exhaust hose per riser.
20-0002 P	Mounting hardware kit.
1-0019	End plate gasket.

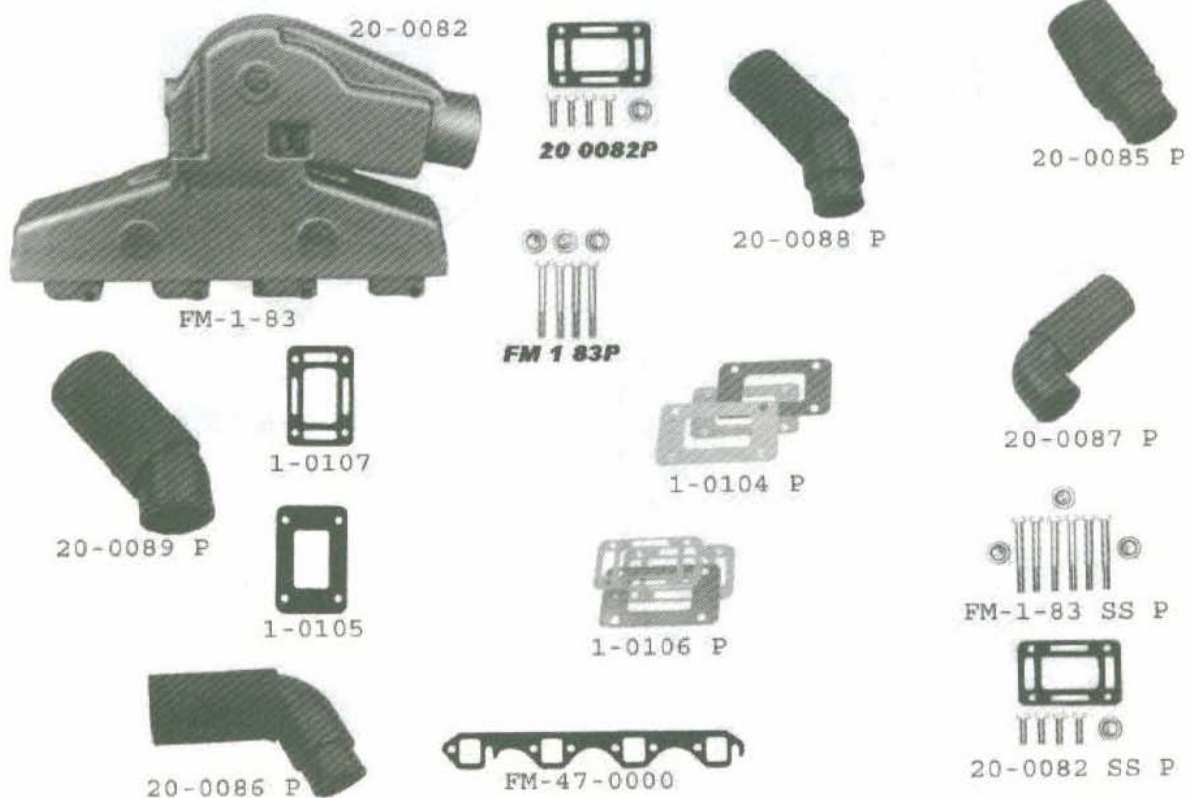


**Interceptor V8 - 221, 260 and 289 cu.in.  
120, 140, 165, 190, 200 and 210 h.p.  
Log Style Generic**



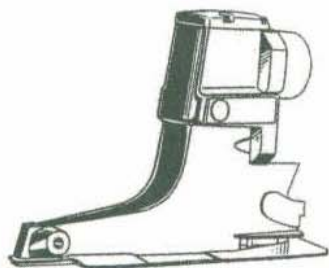
<b>Part #</b>	<b>Detailed Description</b>
INT-1-6268 L & R	Water-cooled manifolds. Use with Barr risers and exhaust connectors as listed below. The original interceptor exhaust connectors are not applicable to the Barr manifolds. (Price Each)
20-0055	30 degree exhaust elbow connector, fully jacketed. Accepts 2 1/2" or 3" i.d. exhaust hose. Swivels. Requires (1) mounting hardware kit # 20-0002 P per connector. (Order (2) of the appropriate exhaust connectors according to your requirements.)
20-0039	Fully jacketed swivel-type exhaust riser. 7" riser protection. Requires (2) mounting hardware kits # 20-0002 P plus (1) exhaust connector # 20-0035 (for 2 1/2" i.d. exhaust hose) or (1) exhaust connector # 20-0034 (for 3" i.d. exhaust hose) per riser. (Order (2) of the appropriate exhaust connectors according to your requirements.)
20-0000	High discharge exhaust riser. 8 1/2" riser protection. Requires (1) mounting hardware kit # 20-0002 P per riser. Use only with 2 7/8" to 3" i.d. exhaust hose. (Order (2) of the appropriate exhaust connectors according to your requirements.)
20-0031	90 degree exhaust elbow connector with internal water discharge. Accepts 2 1/2" or 3" i.d. exhaust hose. Swivels. Requires (1) mounting hardware kit # 20-0002 P per connector. (Order (2) of the appropriate exhaust connectors according to your requirements.)
FM-47-0000	Manifold-to-cylinder head gasket.
20-0034 or 20-0035	(1) exhaust connector # 20-0035 for 2 1/2" i.d. exhaust hose or (1) exhaust connector # 20-0034 for 3" i.d. exhaust hose per riser.
20-0002 P	Mounting hardware kit.
1-0022	Barr manifold gasket.

## Interceptor V8 - 221, 260, 289, 302 and 351 cu.in. All Years Center Riser Generic

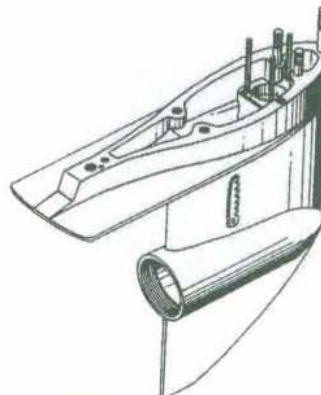


<b>Part #</b>	<b>Detailed Description</b>
FM-1-83	Manifold (comes complete with mounting hardware).
20-0082	Riser (comes complete with mounting hardware and manifold-to-riser gasket). Standard for use with 3" i.d. exhaust hose.
20-0085 P	Straight exhaust adaptor (includes adaptor, hose and clamps). For use with 2 1/2" i.d. exhaust hose. (Order (2) of the appropriate exhaust packages according to your requirements.)
20-0089 P	30 degree exhaust elbow adaptor (includes adaptor, hose and clamps). For use with 3" i.d. exhaust hose. (Order (2) of the appropriate exhaust packages according to your requirements.)
20-0088 P	30 degree exhaust elbow adaptor (includes adaptor, hose and clamps). For use with 2 1/2" i.d. exhaust hose. (Order (2) of the appropriate exhaust packages according to your requirements.)
20-0087 P	90 degree exhaust elbow adaptor for stern-drive applications (includes adaptor, hose and clamps). For use with 3" i.d. exhaust hose. (Order (2) of the appropriate exhaust packages according to your requirements.)
20-0086 P	90 degree exhaust elbow adaptor for stern-drive applications (includes adaptor, hose and clamps). For use with 2 1/2" i.d. exhaust hose. (Order (2) of the appropriate exhaust packages according to your requirements.)
FM-47-0000	Manifold-to-cylinder head gasket.
1-0104 P	Adaptor package to fresh water cool manifold (includes gaskets and block-off plate).
1-0106 P	Adaptor package raw-water (includes gaskets and block-off plate with vent hole).
FM-1-83 SS P	Manifold stainless steel mounting package (includes stainless steel bolts and brass pipe plugs).
20-0082 SS P	Riser stainless mounting package (includes stainless steel bolts, gasket and brass pipe plug).
1-0105	Center riser manifold-to-riser gasket for fresh water (heat exchanger) cooling.
1-0107	Center riser manifold-to-riser gasket (raw-water cooling).

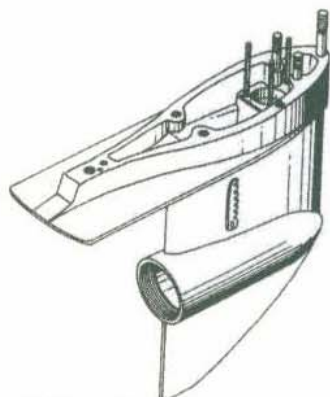
## MerCruiser Models R/MR/Alpha One Drive Shaft and Gear Housings



MC51-1547-9412A18



MC51-1623-5356A4



MC51-1623-8951A27

### Part #

MC51-1547-9412A18  
MC51-1623-5356A4  
MC51-1623-8951A27

### Detailed Description

Drive Shaft Housing R/MR/Alpha One Models (Replaces MerCruiser P/N 1547-9412 A18).  
Gear Housing # 1/R Models (Replaces MerCruiser P/N 1623-536A4).  
Gear Housing MR/Alpha One Models (Replaces MerCruiser P/N 1623-8951A27).

## MerCruisers 4-Cylinder 153 cu. in. 110-120 h.p. Log Style Generic



MC-1-0120



20-0074



20-0076

20-0078



CHV-29-0120



MC-1-0120 B



MC-6-0120 P



MC-45-0120



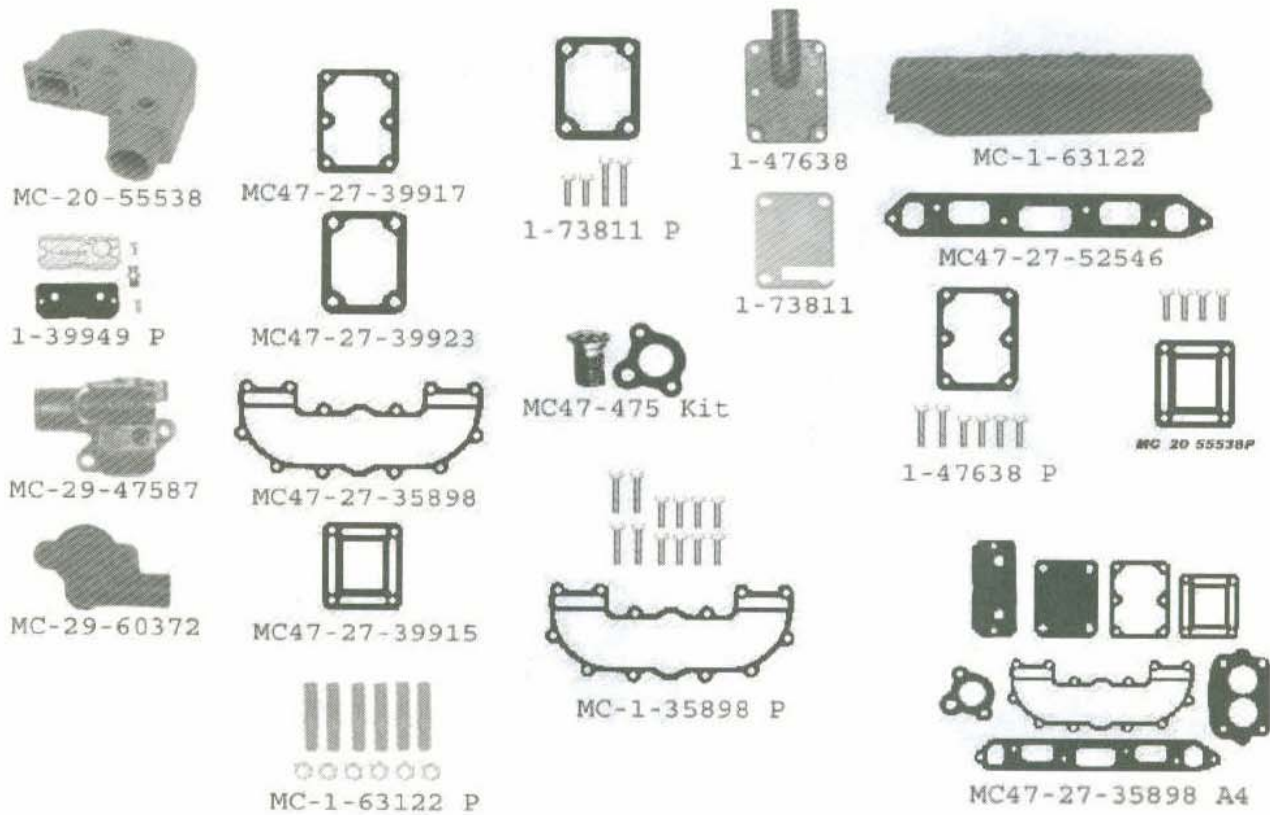
MC-1-0141 B



MC-1-0120 P

Part #	Detailed Description
MC-1-0120	Water-cooled manifold. Requires either MerCruiser thermostat assembly consisting of (lower housing # B-47587A2), (upper housing # B-60372A1), (thermostat # B-59078), (gaskets # C-27-33680 and C-27-47590), (hoses # C-32-47639 and C-32-47640 or Barr thermostat assembly CHV-29-0120). Use of Barr thermostat housing assembly shall require revised water-flow installation. Requires replacement of original riser. (All Models 110 & 120 up to ser. # 2324346.)
CHV-29-0120	Barr in-line thermostat housing assembly.
20-0074	Fully jacketed swivel-type exhaust riser. Requires (1) MC-1-0120-B adaptor, (1) clamp package # 20-0002 P and appropriate exhaust hose connector #20-0076 or 20-0078. (All Models.)
20-0076	Exhaust hose connector. Requires (1) # 20-0075 P mounting hardware kit. Fits riser # 20-0074 only. For use with 2 1/2" i.d. exhaust hose. (Order (1) of the appropriate exhaust connectors according to your requirements.) (All Models.)
20-0078	6 1/2" exhaust hose connector. Requires (1) # 20-0075 P mounting hardware kit. Fits riser # 20-0074 only. For use with 2 5/8" i.d. exhaust hose. (Order (1) of the appropriate exhaust connectors according to your requirements.) (All Models.)
MC-45-0120	Throttle connector adaptor kit. (All Models.)
MC-1-0120 P	Exhaust manifold-to-cylinder head mounting package. (All Models.)
MC-6-0120 P	Exhaust manifold plumbing fittings package. (All Models.)
MC-1-0141 B	Carburetor adaptor plate. (All Models.)
MC-1-0120 B	Riser Adaptor.

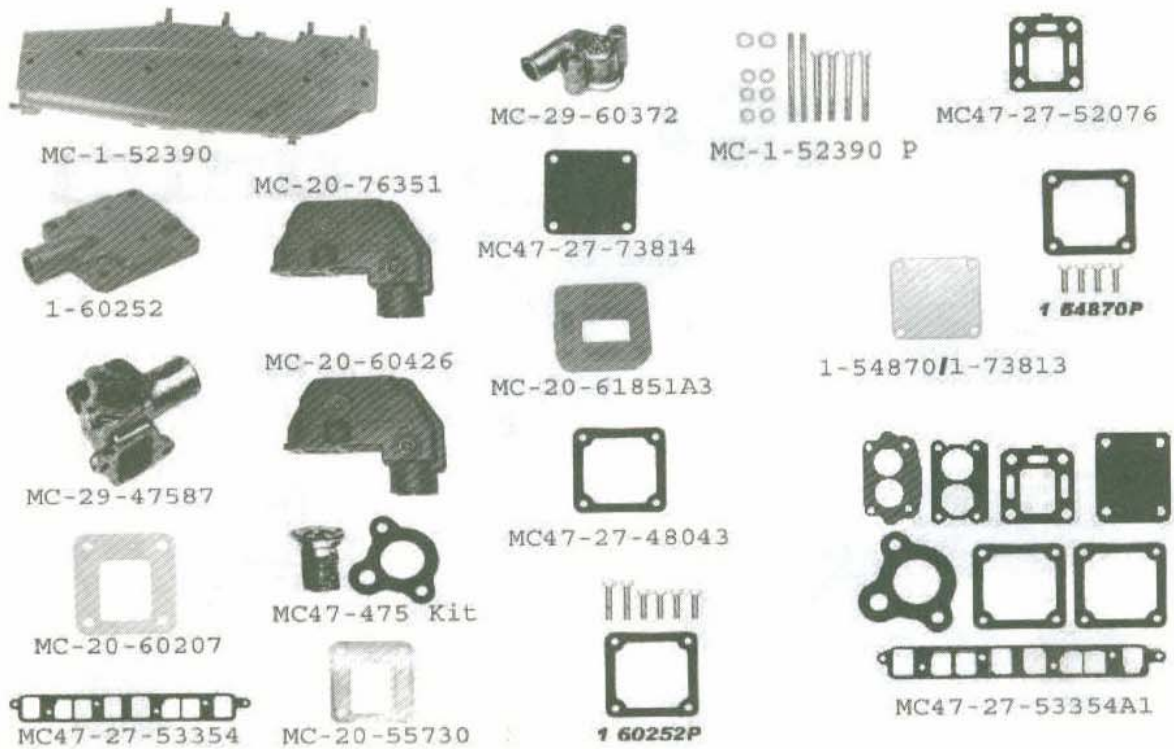
## MerCruiser 4-Cylinder 153 cu.in. 120 h.p. Model 120 Engine Log Style Direct Replacement



<b>Part #</b>	<b>Detailed Description</b>
MC-1-63122	Direct replacement exhaust manifold. Requires (1) adaptor gasket # MC47-27-52546. Replaces MerCruiser part # B-63122A1
MC-20-55538	Direct replacement exhaust elbow riser. Requires (1) adaptor gasket # MC47-27-39915. Replaces MerCruiser parts # B-39920 and # B-55538A2
1-47638	Exhaust manifold end cap/connector (front) mounting package.
MC47-27-39917	Direct replacement exhaust manifold end cap/connector (front). Replaces MerCruiser part # B-47638
MC47-27-52546	Direct replacement exhaust manifold-to-cylinder head gasket.
1-73811	Direct replacement exhaust manifold-to-cylinder head gasket.
1-39949 P	Direct replacement exhaust manifold end cap/connector (rear).
MC-1-35898 P	Cover choke oven assembly.
1-47638 P	Intake manifold mounting package.
1-73811 P	Exhaust manifold end cap/connector (front) mounting package.
MC47-27-35898	Exhaust manifold end cap/connector (rear) mounting package.
MC47-27-39915	Direct replacement intake manifold gasket.
MC47-27-39923	Direct replacement exhaust elbow to exhaust manifold gasket.
MC47-27-35898 A4	Direct replacement exhaust manifold end cap/connector gasket.
MC-1-63122 P	Exhaust manifold gasket set.
MC-29-60372	Exhaust manifold mounting package.
MC-29-47587	Upper Thermostat Housing.
MC47-475 KIT	Lower Thermostat Housing.
	Thermostat Kit (includes gasket & thermostat).

**Note:** MC47-475 Kit Contents: MC47-47590 gasket and MC-29-59078 thermostat.

## MerCruiser 4-Cylinder 181 cu.in. 140 h.p. Model 140 Engine Log Style Direct Replacement



### Part #

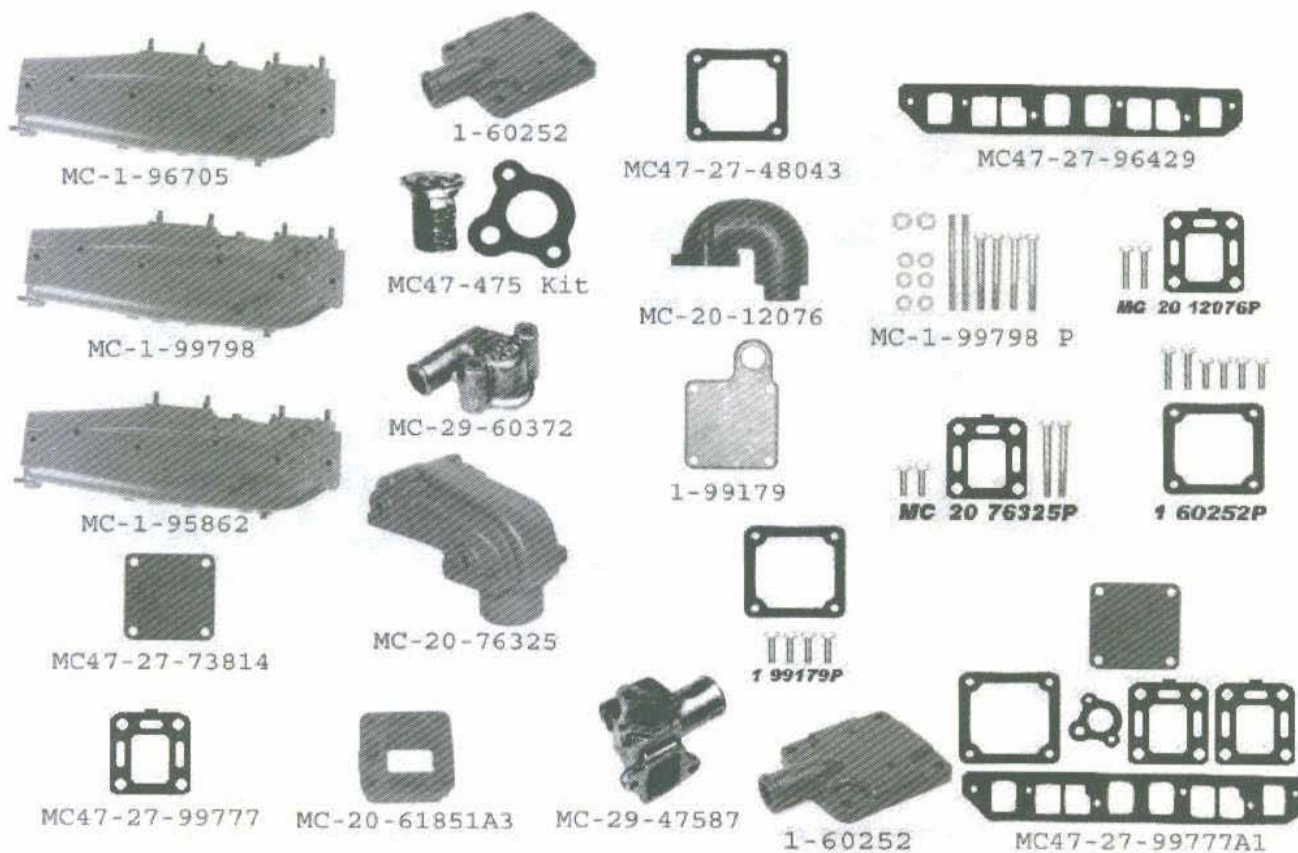
MC-1-52390  
MC-20-60426  
MC-20-76351  
1-60252  
MC47-27-48043  
MC47-27-53354  
1-54870  
1-73813  
MC47-27-73814  
MC47-27-52076  
MC47-27-53354 A1  
MC-20-61851 A3  
MC-20-55730  
MC-20-60207  
MC-1-52390 P  
MC-29-60372  
MC-29-47587  
MC47-475 KIT

### Detailed Description

Direct replacement exhaust manifold. Requires (1) adaptor gasket # MC47-27-53354. Serial # 3332138 and up. Replaces MerCruiser part # B-52390 A1.  
Direct replacement exhaust elbow riser. Requires (1) adaptor gasket # MC47-27-52076. Mounting package # MC-20-60426 P available. Replaces MerCruiser part # B-60426 A1 and # B-76351 A1.  
Direct replacement exhaust elbow riser. Requires (1) adaptor gasket # MC47-27-52076. Mounting package # MC-20-60426 P available. Replaces MerCruiser part #s B-60426 A1 and # B-76351 A1.  
Direct replacement exhaust manifold end cap/connector (front). Replaces MerCruiser part # B-60252  
Direct replacement exhaust manifold end cap/connector gasket.  
Direct replacement exhaust manifold-to-cylinder head gasket.  
Direct replacement exhaust manifold end cap/connector (rear). Serial # 4481625 and below.  
Direct replacement exhaust manifold end cap/connector (rear). Serial # 4481625 and up.  
Direct replacement exhaust manifold end cap/connector gasket. Utilized with 1-73813 rear end cap.  
Direct replacement exhaust elbow to exhaust manifold gasket.  
Exhaust manifold gasket set.  
3" riser block with fastener and gasket package.  
Direct replacement stainless fresh water-cooling block-off plate for use with MerCruiser riser #s 60426, # 76351 and # 76771. Requires (2) adaptor gaskets # MC47-27-52076  
Direct replacement stainless block-off plate with vent holes for use with MerCruiser risers part #s 60426, # 76351 and # 76771. Requires (2) adaptor gaskets # MC47-27-52076  
Exhaust manifold mounting package.  
Upper Thermostat Housing.  
Lower Thermostat Housing.  
Thermostat Kit (includes gasket & thermostat).

**Note:** MC47-475 Kit Contents: MC47-47590 gasket and MC-29-59078 thermostat.

**MerCruiser 4-cylinder 153 cu.in. and 181cu.in.  
120 h.p (2.5 L), 140 h.p. (3.0 L),  
Models 120 R and 140 R - MR/ALPHA One Engines  
Direct Replacement Log Style**



<b>Part #</b>	<b>Detailed Description</b>
MC-1-96705	Direct replacement exhaust manifold (Rochester). 6-bolt pattern. Requires (1) adaptor gasket # MC47-27-96429. Replaces MerCruiser part # 96705A1.
MC-1-99798	Direct replacement exhaust manifold (MerCarb). 6-bolt pattern. Requires (1) adaptor gasket # MC47-27-96429. (No choke stove) Replaces MerCruiser part # 99798 A9.
MC-1-95862	Direct replacement exhaust manifold (Rochester). 6-bolt pattern. Requires (1) adaptor gasket # MC47-27-96429. (No choke stove) Replaces MerCruiser part # 95862 A5.
MC-20-12076	Direct replacement inboard riser. Requires (1) adaptor gasket # MC47-27-99777. Mounting package # MC-20-12076 P available. Replaces MerCruiser part # 12076 A1.
MC-20-76325	Direct replacement exhaust riser. Requires (1) adaptor gasket # MC47-27-99777. Mounting package # MC-20-76325 P available. Replaces MerCruiser part # 76325 A2.
1-60252	Direct replacement exhaust manifold end cap/connector (front). Replaces MerCruiser part # B-60252
MC47-27-48043	Direct replacement exhaust manifold end cap/connector gasket.
1-99179	Direct replacement exhaust manifold end cap/connector gasket.
MC47-27-73814	Direct replacement exhaust manifold end cap/connector gasket.
MC47-27-96429	Direct replacement exhaust manifold-to-cylinder head gasket.
MC47-27-99777	Exhaust adaptor gasket.
MC-1-99798 P	Exhaust manifold-to-cylinder head mounting package.
MC47-27-99777 A1	Exhaust manifold gasket set.
MC-20-61851 A3	3" riser block with fastener and gasket package.
MC-29-60372	Upper Thermostat Housing.
MC-29-47587	Lower Thermostat Housing.
MC47-475 KIT	Thermostat Kit (includes gasket & thermostat).

**Note:** MC47-475 Kit Contents: MC47-47590 gasket and MC29-59078 thermostat.

# MerCruiser Models 470R, 485 and 488R Direct Replacement

MC-20-90880



MC47-27-97542



MC47-27-68715

## Part #

MC-1-99908

MC-20-90880

MC47-27-97542

MC-50-22-32802

MC47-27-68715

## Detailed Description

Direct replacement exhaust manifold. Requires (1) adaptor gasket. # MC47-27-68715. (Replaces MerCruiser part # 99908A3.)

Direct replacement riser. Requires (1) adaptor gasket # MC47-27-97542. Mounting package # MC-20-90880 P available. (Replaces MerCruiser part # 90880 A2.)

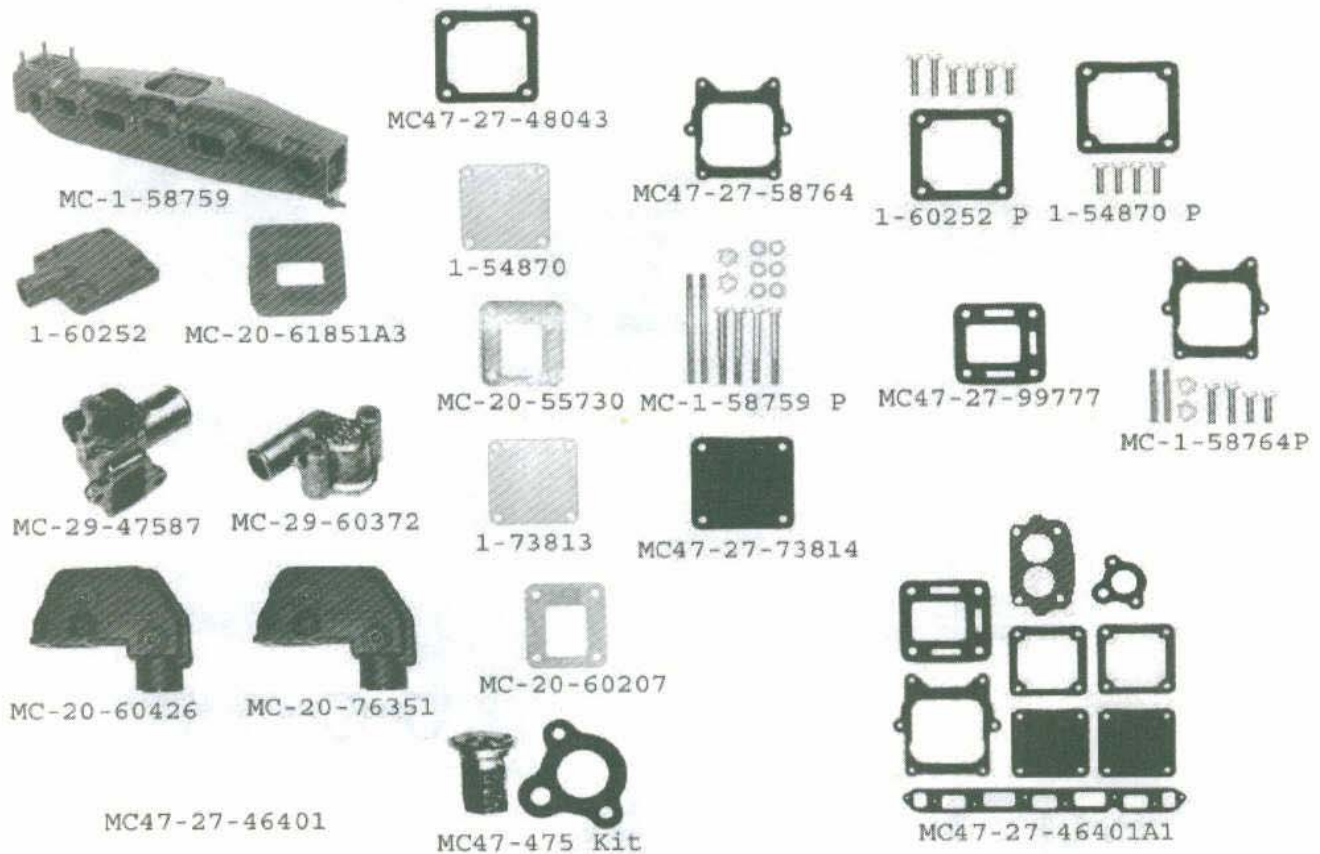
Replacement exhaust elbow gasket. (Replaces MerCruiser part # 27-97542.)

Exhaust manifold drain.

Exhaust manifold-to-cylinder head gasket. (Replaces MerCruiser part # 27-68715.)



## MerCruiser Straight 6-Cylinder Model 165 Log Style Direct Replacement



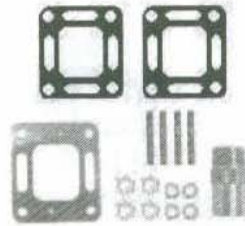
Part #	Detailed Description
MC-1-58759	Direct replacement exhaust manifold. Requires (1) adaptor gasket # MC47-27-4640. (Replaces MerCruiser part # B-58759 A1.)
MC-20-76351	Direct replacement exhaust elbow riser (stern-drive). Requires (1) adaptor gasket # MC47-27-52076. Mounting package # MC-20-60426 P available. (Replaces MerCruiser part # B-76351 A1 and # B-60426 A1.)
MC-20-60426	Direct replacement exhaust elbow riser (stern-drive). Requires (1) adaptor gasket # MC47-27-52076. Mounting package # MC-20-60426 P available. (Replaces MerCruiser part # B-76351 A1 and # B-60426 A1.)
MC-20-55730	Direct replacement stainless fresh water-cooling block-off plate for use with MerCruiser riser part # 60426, # 76351 and # 76771. (Requires (2) adaptor gaskets # MC47-27-52076.)
MC-20-60207	Direct replacement stainless block-off plate with bleeder holes for use with MerCruiser riser # 60426, # 76351 and # 76771. (Requires (2) adaptor gaskets # MC47-27-52076.)
MC47-27-48043	Direct replacement exhaust manifold end cap/connector gasket.
1-73813	Direct replacement manifold end cap (rear). Supersedes part # 1-54870.
1-60252	Direct replacement exhaust manifold end cap/connector. (Replaces MerCruiser part # B-60252.)
1-54870	Direct replacement exhaust manifold end cap/connector (rear). Superseded by part # 1-73813.
1-54870 P	Exhaust manifold end cap/connector (rear) mounting package.
1-60252 P	Exhaust manifold end cap/connector (front) mounting package.
1-73813 P	Exhaust manifold end cap/connector (rear) mounting package.
MC47-27-58764	Direct replacement manifold-to-carburetor adaptor gasket.
MC47-27-73814	Direct replacement exhaust manifold end cap/connector gasket. Utilized with 1-73813 rear end cap.
MC47-27-99777	Direct replacement exhaust elbow riser gasket. Supersedes MerCruiser part # 27-52076. (Replaces MerCruiser part # 27-99777.)
MC-1-58759 P	Exhaust manifold mounting package.
MC47-27-46401	Direct replacement exhaust manifold-to-cylinder head gasket.
MC-20-61851 A3	3" riser block with fastener and gasket package.
MC47-27-46401 A1	Exhaust manifold gasket set.
MC-1-58764 P	Manifold-to-carburetor adaptor mounting package.
MC-29-60372	Upper Thermostat Housing.
MC-29-47587	Lower Thermostat Housing.
MC47-475 KIT	Thermostat Kit (includes gasket & thermostat).

**Note:** MC47-475 Kit Contents: MC47-47590 gasket and MC-29-59078 thermostat.

**MerCruiser V6 - 229 cu.in. and 262 cu.in.  
Model 185R, 185MR, 205R, and 205MR  
Direct Replacement Center Riser**



MC-1-99746



MC-20-98504P



MC47-27-41813



MC47-27-99757



MC-20-98504



MC-20-93320A3



MC-20-93322A3



MC-50-87238



MC-27-93175

**Part #**

MC-1-99746

MC-20-98504

MC-20-98504 P

MC47-27-41813

MC47-27-99757

MC-20-93320 A3

MC-20-93322 A3

MC-50-87238

MC-27-93175

**Detailed Description**

Direct replacement exhaust manifold. Requires (1) adaptor gasket # MC47-27-99757. Replaces MerCruiser part # 99746 A3 or part # 99746 A8. (Order the appropriate quantities according to your requirements.)

Direct replacement 15 degree riser. Requires (1) adaptor gasket # MC47-27-41813. Mounting package MC-20-98504 P available. Replaces MerCruiser part # 98504 A3. (Order the appropriate quantities according to your requirements.)

Mounting package for MC-20-98504 riser (includes gasket, drain plug, pipe plug and fasteners). (Order the appropriate quantities according to your requirements.)

Direct replacement restrictor gasket. Replaces MerCruiser part # 27-41813. (Order the appropriate quantities according to your requirements.)

Replacement exhaust manifold-to-cylinder head gasket. Replaces MerCruiser part # 27-99757. (Order the appropriate quantities according to your requirements.)

3" riser blocks with fastener and gasket package.

6" riser blocks with fastener and gasket package.

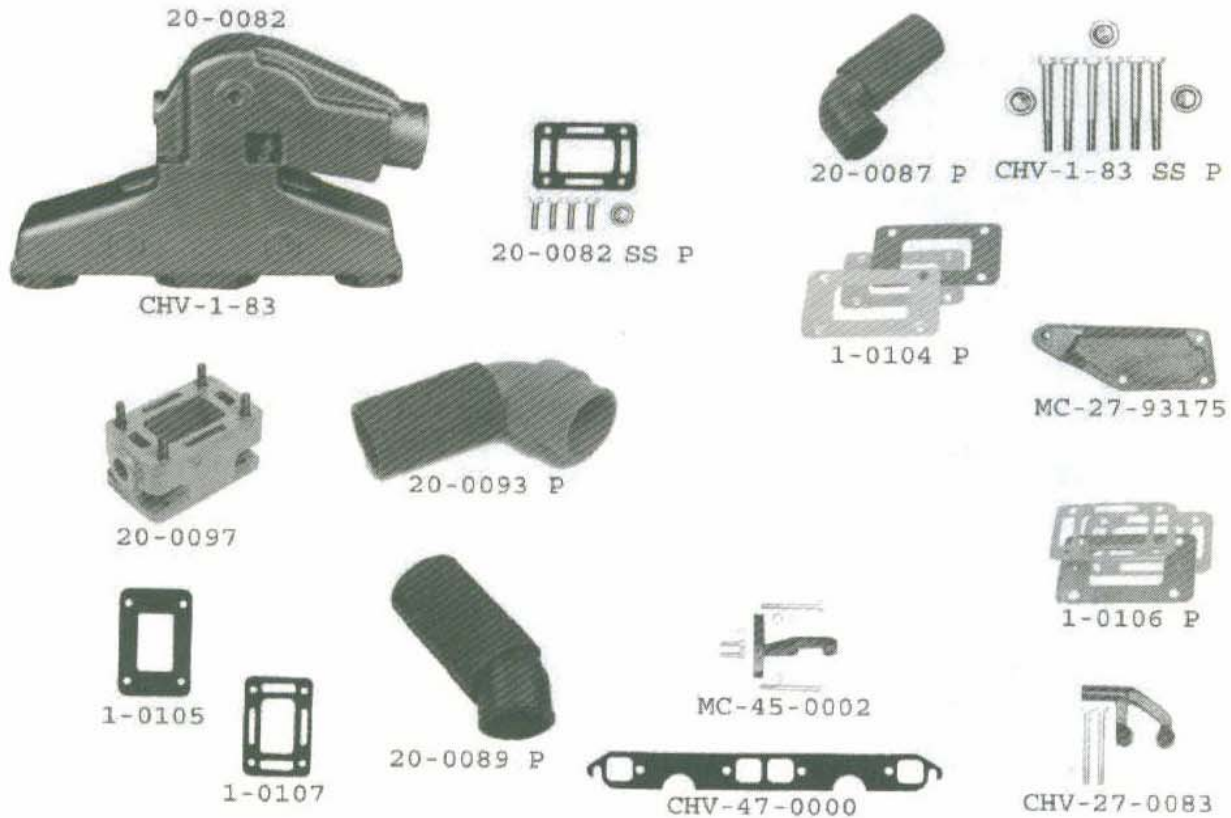
Exhaust manifold drain cock.

Alternator bracket.

# MerCruiser V8 Models 190, 198, 225, 250, 270, 228, 898, 260, 255 and 280

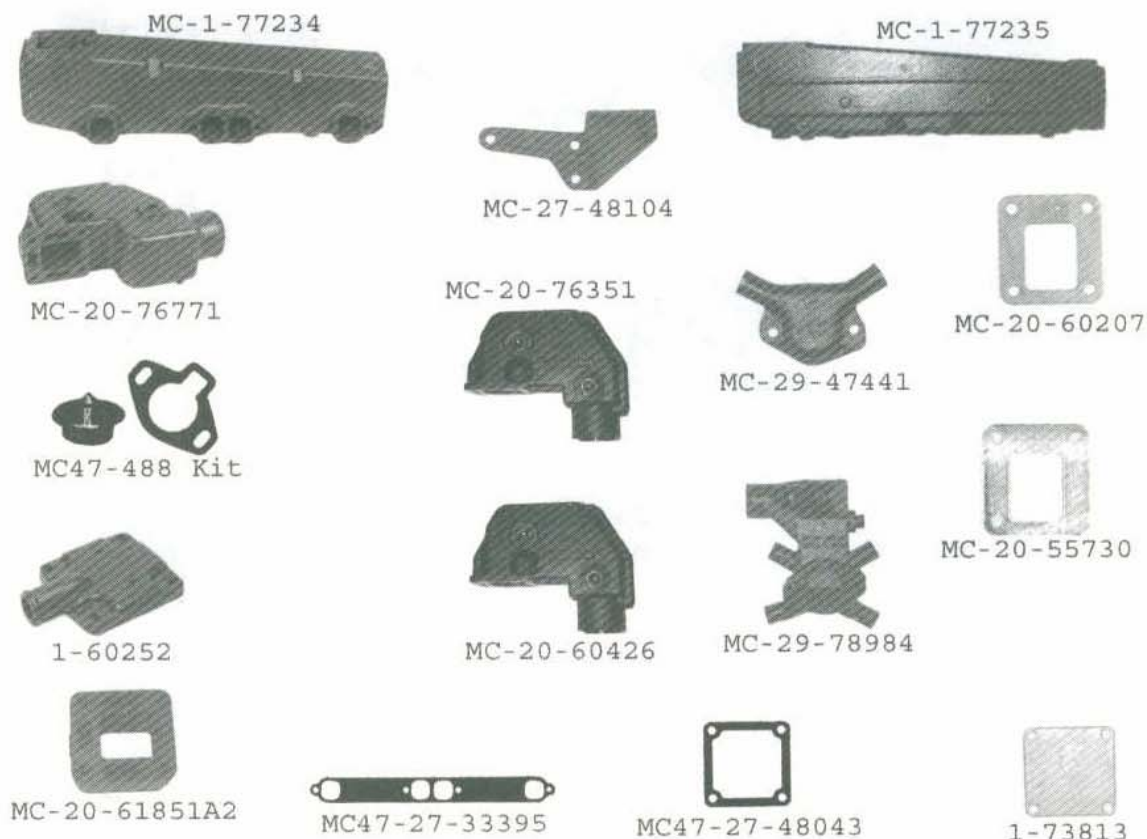
## Inboard and Stern-Drive Units

### Center Riser Generic



Part #	Detailed Description
CHV-1-83	Manifold (comes complete with mounting hardware).
20-0082	Riser (comes complete with mounting hardware and manifold-to-riser gasket). Standard for use with 3" i.d. exhaust hose.
20-0087 P	90 degree exhaust elbow adaptor for stern-drive applications (includes adaptor, hose and clamps). For use with 3" i.d. exhaust hose. (Order (2) of the appropriate exhaust packages according to your requirements.)
20-0089 P	30 degree exhaust elbow adaptor (includes adaptor, hose and clamps). For use with 3" i.d. exhaust hose. (Order (2) of the appropriate exhaust packages according to your requirements.)
20-0093 P	90 degree exhaust elbow adaptor for stern-drive applications. For use with 3 1/2 or 4" i.d. exhaust hose. (Order (2) of the appropriate exhaust packages according to your requirements.)
20-0097	3" spacer block capable of stacking (complete with hardware, including 3/4" NPT pipe plug).
MC-45-0002	Fuel filter/solenoid bracket.
MC-27-93175	Direct replacement alternator bracket.
CHV-47-0000	Manifold-to-cylinder head gasket.
1-0104 P	Adaptor package to fresh water cool manifold (includes gaskets and block-off plate).
1-0106 P	Adaptor package raw-water (includes gaskets and block-off plate with vent hole).
CHV-1-83 SS P	Manifold stainless mounting package (includes stainless steel bolts and brass pipe plugs).
20-0082 SS P	Riser mounting package (includes stainless steel bolts, gasket and brass pipe plug).
CHV-27-0083	Optional alternator bracket.
1-0105	Center riser manifold-to-riser gasket for fresh water (heat exchanger) cooling.
1-0107	Center riser manifold-to-riser gasket (raw-water cooling).
20-0100	Riser (comes complete with mounting hardware and manifold-to-riser gasket). Standard for use with 4" i.d. exhaust hose.

## MerCruiser V8 - Models 198, 228, 255, 260 and 898 Inboard and Stern-Drive Units Log Style Direct Replacement



<b>Part #</b>	<b>Detailed Description</b>
MC-1-77234	Direct replacement port side exhaust manifold. Requires (1) adaptor gasket # MC47-27-33395. (Replaces MerCruiser part # B-77234 A2.)
MC-1-77235	Direct replacement starboard side exhaust manifold. Requires (1) adaptor gasket # MC47-27-33395. (Replaces MerCruiser part # B-77235 A2.)
1-60252	Direct replacement exhaust manifold end cap/connector. (Replaces MerCruiser part # B-60252)
MC47-27-48043	Direct replacement exhaust manifold end cap/connector gasket.
MC47-488 KIT	Thermostat Kit 488 Contents: Gasket & Thermostat. Note: MC47-488 Kit Contents: MC47-48818 Gasket and MC29-59137 Thermostat
MC-20-76351	Direct replacement exhaust elbow riser (stern-drive). Requires (1) adaptor gasket # MC47-27-52076. Mounting package MC-20-60426 P available. (Replaces MerCruiser part #'s B-76351 A1 and # B-60426 A1.)
MC-20-60426	Direct replacement exhaust elbow riser (stern-drive). Requires (1) adaptor gasket # MC47-27-52076. Mounting package MC-20-60426 P available. (Replaces MerCruiser part #'s B-76351 A1 and # B-60426 A1.)
MC-20-76771	Direct replacement exhaust elbow riser (inboard). Requires (1) adaptor gasket # MC47-27-52076. Mounting package MC-20-76771 P available. (Replaces MerCruiser part # B-76771 A3.)
MC-20-55730	Direct replacement stainless fresh water-cooling block-off plate for use with MerCruiser riser #'s 60426, # 76351 and # 76771. (Requires (2) adaptor gaskets # MC47-27-52076.)
MC-20-60207	Direct replacement stainless block-off plate with bleeder holes for use with MerCruiser risers part #'s 60426, # 76351 and # 76771. (Requires (2) adaptor gaskets # MC47-27-52076.)
MC-27-48104	Alternator mounting bracket.
1-73813	Direct replacement manifold end cap (rear).
MC-20-61851 A2	3" riser blocks with fastener and gasket package.
MC47-27-33395	Exhaust manifold gasket set.
MC-29-47441	Upper Thermostat Housing.
MC-29-78984	Lower Thermostat Housing.

# MerCruiser Models 898 R, 228 R and 260 R Direct Replacement



MC-1-87114



MC-20-44354



MC47-27-87105



MC47-27-41813



MC-20-98502



MC-20-98504



MC-50-87238



MC-20-93320A3



MC-20-93322A3



MC-27-93175



MC47-27-33395



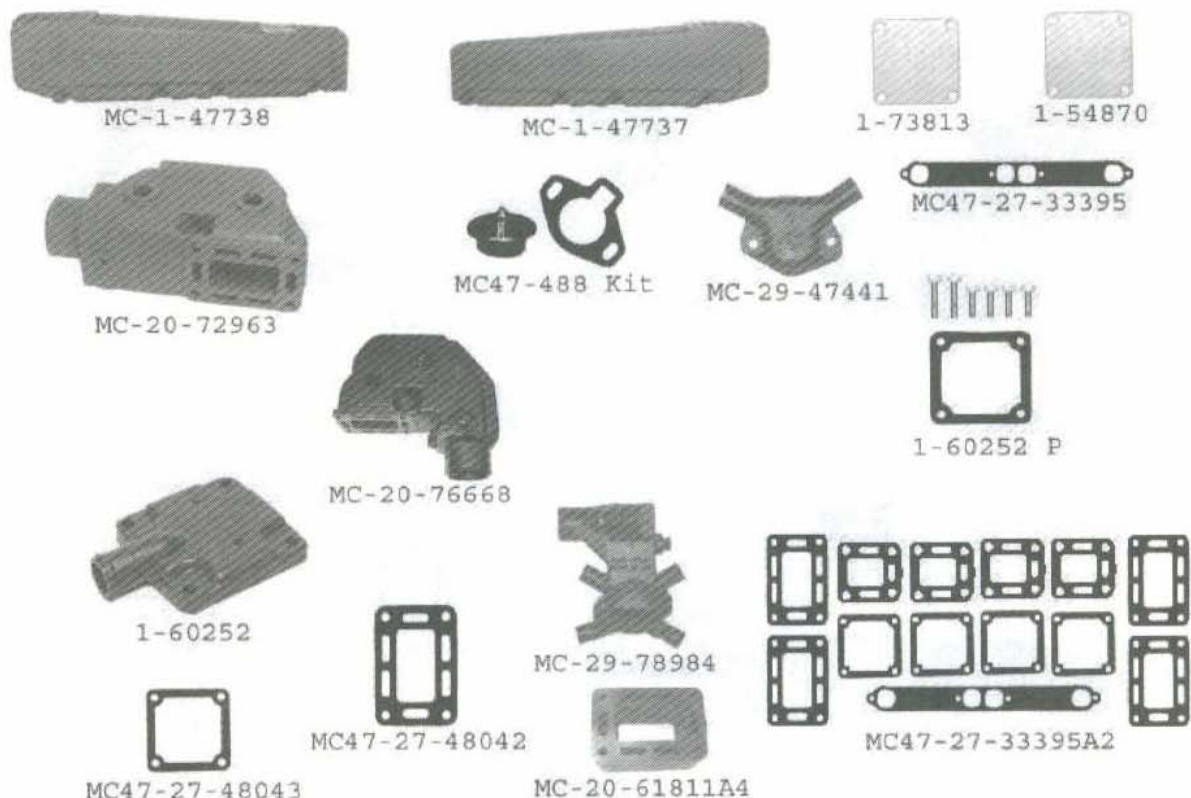
MC-20-99208



MC-20-87918

Part #	Detailed Description
MC-1-87114	Direct replacement exhaust manifold. Requires (1) adaptor gasket # MC47-27-33395. (Replaces MerCruiser part # 87114 A8 & A19.)
MC-20-98502	Direct replacement 0 degree riser. Requires (1) adaptor gasket # MC47-27-87105. Mounting package MC-20-98502 P available. (Replaces MerCruiser part # 98502 A2.)
MC-20-98504	Direct replacement 15 degree riser. Requires (1) adaptor gasket # MC47-27-87105. Mounting package MC-20-98504 P available. (Replaces MerCruiser part # 98504 A3.)
MC-20-93320 A3	3" riser blocks with fastener and gasket package.
MC-20-93322 A3	6" riser blocks with fastener and gasket package.
MC47-27-33395	Exhaust manifold-to-cylinder head gasket. (Replaces MerCruiser part # 27-33395.)
MC47-27-87105	Replacement exhaust elbow gasket. (Replaces MerCruiser part # 27-87105.)
MC47-27-41813	Direct replacement restrictor gasket. (Replaces MerCruiser part # 99208 A1.)
MC-50-87238	Exhaust manifold drain cock.
MC-27-93175	Alternator brackets.
MC-20-87918	Direct replacement stainless fresh water-cooling block-off plate for use with MerCruiser riser #'s 98502, # 98504 and # 44354.
MC-20-99208	Direct replacement stainless block-off plate with bleeder holes for use with MerCruiser riser #'s 98502, # 98504 and # 44354.
MC-20-44354	Direct replacement riser. Requires (1) adaptor gasket # MC47-27-41813 or # MC47-27-87105. Mounting package # MC-20-44354 P available. Replaces MerCruiser part # B-44354 A3.
MC-29-47441	Upper Thermostat Housing.
MC-29-87290	Lower Thermostat Housing.

## MerCruiser V8 Models 225, 250, 255, 270 and 280 Log Style Direct Replacement



**Part #**

MC-1-47737

**Detailed Description**

Direct replacement port side exhaust manifold. Requires (1) adaptor gasket # MC47-27-48042. (Replaces MerCruiser part # B-47737A)

MC-1-47738

Direct replacement starboard side exhaust manifold. Requires (1) adaptor gasket # MC47-27-48042. (Replaces MerCruiser part # B-47738 A1)

1-60252

Direct replacement exhaust manifold end cap/connector. (Replaces MerCruiser part # B-60252)

1-60252 P

Exhaust manifold end cap/connector (front) mounting package.

MC47-27-48043

Direct replacement exhaust manifold end cap/connector gasket.

1-54870

Direct replacement exhaust manifold end cap/connector (rear). Serial # 4481625 and below.

1-73813

Direct replacement exhaust manifold end cap/connector (rear). Serial # 4481626 and up. Supersedes part # 1-54870

MC-20-72963

Direct replacement inboard riser. Requires (1) adaptor gasket # MC47-27-48042. Mounting package # MC-20-72963 P available. (Replaces MerCruiser part # B-72963 A1.)

MC-20-76668

Direct replacement exhaust elbow riser (stern-drive). Requires (1) adaptor gasket # MC47-27-48042. Mounting package # MC-20-76668 P available. Replaces MerCruiser part # 's B-76668 A3, B-72964 A1 and B-47877 A4.

MC47-27-48042

Replacement exhaust elbow gasket. (Replaces MerCruiser part # 27-48042.)

MC47-27-33395

Direct replacement exhaust manifold-to-cylinder head gasket.

MC-20-61811 A4

3" riser blocks with fastener and gasket package.

MC47-27-33395 A2

Exhaust manifold gasket set.

MC-29-47441

Upper Thermostat Housing.

MC-29-78984

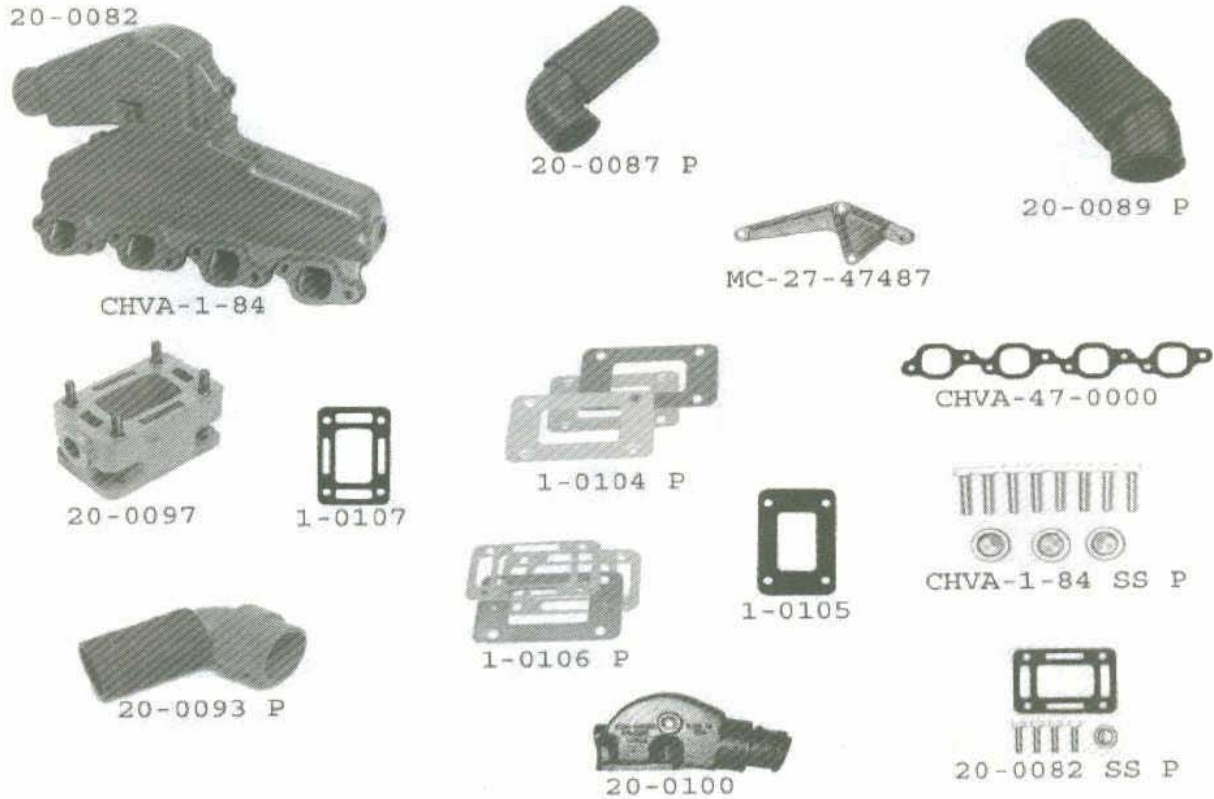
Lower Thermostat Housing.

MC47-488 KIT

Thermostat Kit (includes gasket & thermostat).

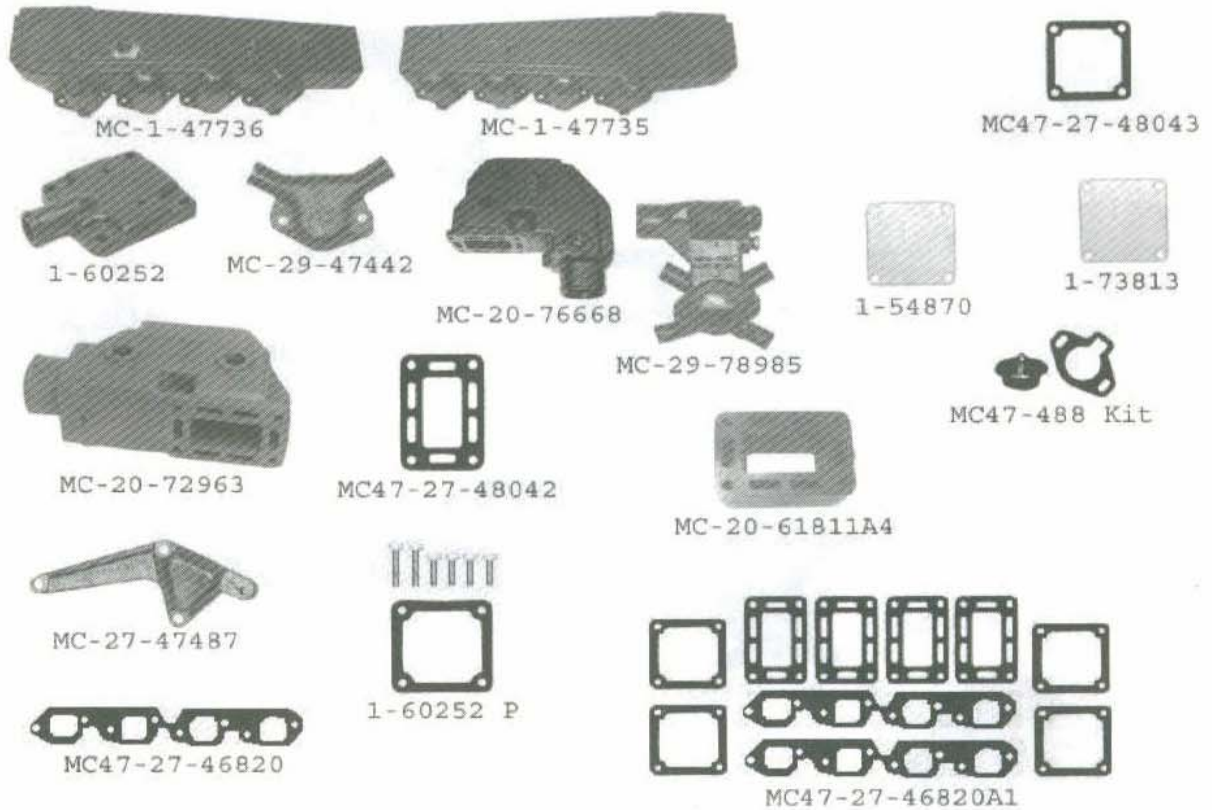
**Note:** MC47-488 Kit Contents: MC47-48818 gasket and MC-29-59137 thermostat.

# MerCruiser V8 Models 325, 330, 340 and 350 Inboard and Stern-Drive Units Center Riser Generic



<b>Part #</b>	<b>Detailed Description</b>
CHVA-1-84 20-0082	Manifold (comes complete with mounting hardware). Riser (comes complete with mounting hardware and manifold-to-riser gasket). Standard for use with 3" i.d. exhaust hose.
20-0087 P	90 degree exhaust elbow adaptor for stern-drive applications (includes adaptor, hose and clamps). For use with 3" i.d. exhaust hose. (Order (2) of the appropriate exhaust packages according to your requirements.)
20-0089 P	30 degree exhaust elbow adaptor (includes adaptor, hose and clamps). For use with 3" i.d. exhaust hose. (Order (2) of the appropriate exhaust packages according to your requirements.)
20-0093 P	90 degree exhaust elbow adaptor for stern-drive applications. For use with 3 1/2 or 4" i.d. exhaust hose. (Order (2) of the appropriate exhaust packages according to your requirements.)
20-0097	3" spacer block capable of stacking (complete with hardware, including 3/4" NPT pipe plug).
MC-27-47487	Alternator bracket.
CHVA-47-0000	Manifold-to-cylinder head gasket.
1-0104 P	Adaptor package to fresh water cool manifold (includes gaskets and block-off plate).
1-0106 P	Adaptor package-raw water (includes gaskets and block-off plate with vent hole).
CHVA-1-84 SS P	Manifold stainless mounting package (includes stainless steel bolts and brass pipe plugs).
20-0082 SS P	Manifold stainless mounting package (includes stainless steel bolts and brass pipe plugs).
20-0100	Riser (comes complete with mounting hardware and manifold-to-riser gasket). Standard for use with 4" i.d. exhaust hose.
1-0105	Center riser manifold-to-riser gasket for fresh water (heat exchanger) cooling.
1-0107	Center riser manifold-to-riser gasket (raw-water cooling).

# MerCruiser V8 (Big Block) Models 325, 330, 350, 370 and 400 Inboard Units Log Style Direct Replacement



Part #	Detailed Description
MC-1-47735	Direct replacement port side exhaust manifold. Requires (1) adaptor gasket # MC47-27-48042. (Replaces MerCruiser part # B-47735 A1.)
MC-1-47736	Direct replacement starboard side exhaust manifold. Requires (1) adaptor gasket # MC47-27-48042. (Replaces MerCruiser part # B-47736 A1)
1-60252	Direct replacement exhaust manifold end cap/connector.(Replaces MerCruiser part # B-60252.)
1-60252 P	Exhaust manifold end cap/connector (front) mounting package.
MC47-27-48043	Direct replacement exhaust manifold end cap/connector gasket.
1-54870	Direct replacement exhaust manifold end cap/connector (rear). Serial # 4481625 and below.
1-73813	Direct replacement exhaust manifold end cap/connector (rear). Serial # 4481626 and up. Supersedes part # 1-54870
MC-20-72963	Direct replacement inboard riser. Requires (1) adaptor gasket # MC47-27-48042. Mounting package # MC-20-72963 P available. (Replaces MerCruiser part # B-72963 A1)
MC-20-76668	Direct replacement exhaust elbow riser (stern-drive). Requires (1) adaptor gasket # MC47-27-48042. Mounting package # MC-20-76668 P available. Replaces MerCruiser part # 's B-76668A3, B-72964 A1 and B-47877 A4.
MC-20-61811 A4	3" riser blocks with fastener and gasket package.
MC47-27-46820 A1	Exhaust manifold gasket set.
MC-27-47487	Alternator bracket.
MC47-27-48042	Replacement exhaust elbow gasket. (Replaces MerCruiser part # 27-48042.)
MC47-27-46820	Direct replacement exhaust manifold-to-cylinder head gasket.
MC-29-47442	Upper Thermostat Housing.
MC-29-78985	Lower Thermostat Housing.
MC47-488 KIT	Thermostat Kit (includes gasket & thermostat).

**Note:** MC47-488 Kit Contents: MC47-48818 gasket and MC29-59137 thermostat.



# MerCruiser V8 Models 330, 340, and 454 Magnum Inboard and Stern-Drive Units Direct Replacement



MC-1-89011



MC-27-47487



MC-20-93320A3



MC47-27-87105



MC-20-98502



MC-20-99208



MC47-27-41811



MC-20-93322A3



MC47-27-41813



MC-29-47442



MC-29-78985



MC-20-44354



MC47-27-46820



MC-20-98504



MC-50-87238



MC-20-87918

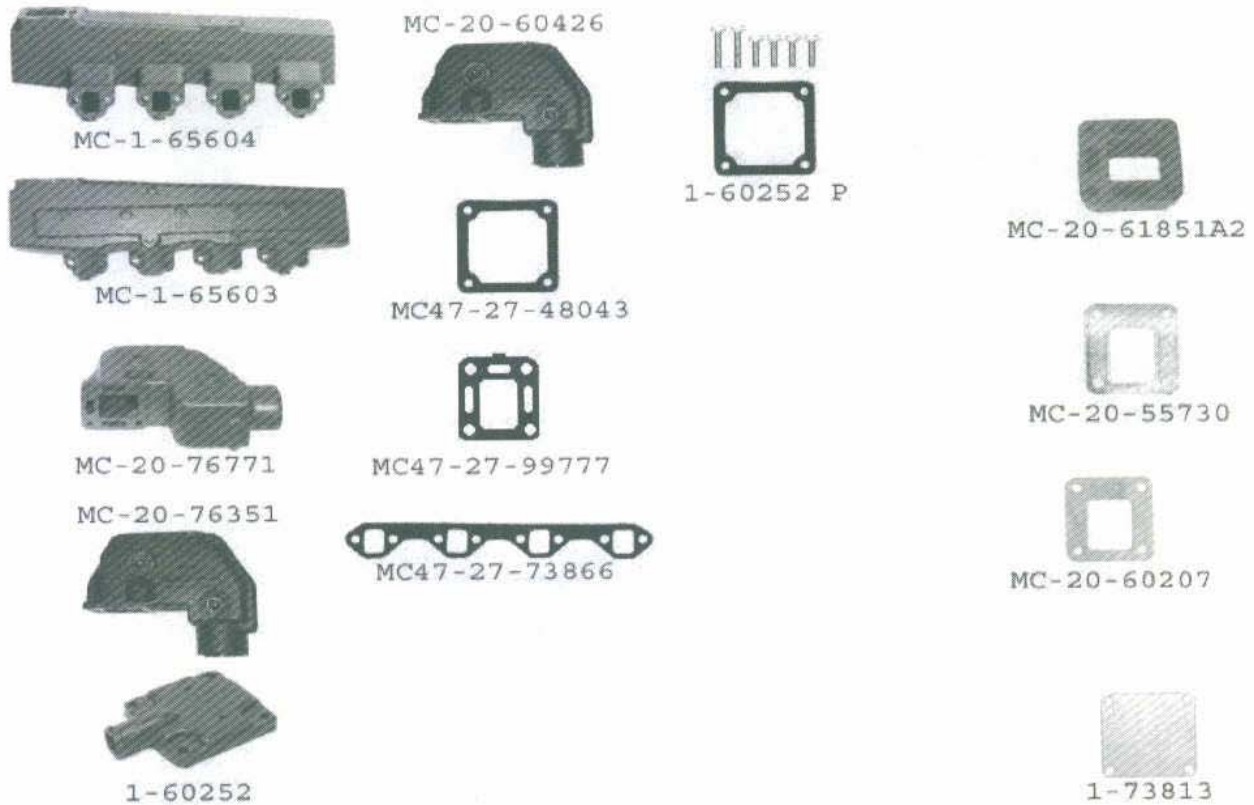
Part #	Detailed Description
MC-1-89011	Direct replacement exhaust manifold. Requires (1) adaptor gasket # MC47-27-46820. Replaces MerCruiser part # 89011 A8.
MC-20-98502	Direct replacement 0 degree riser. Requires (1) adaptor gasket # MC47-27-87105. Mounting package MC-20-98502 P available. (Replaces MerCruiser part # 98502 A2.)
MC-20-98504	Direct replacement 15 degree riser. Requires (1) adaptor gasket # MC47-27-87105. Mounting package MC-20-98504 P available. (Replaces MerCruiser part # 98504 A3.)
MC-20-44354	Direct replacement riser. Requires (1) adaptor gasket # MC47-27-441813 or # MC47-27-87105. Mounting package # MC-20-44354 P available. (Replaces MerCruiser part # B-44354 A3.)
MC-20-93320 A3	3" riser blocks with fastener and gasket package.
MC-20-93322 A3	6" riser blocks with fastener and gasket package.
MC-27-47487	Alternator bracket.
MC47-27-87105	Replacement exhaust elbow gasket. (Replaces MerCruiser part # 27-87105.)
MC47-27-41811	Direct replacement restrictor gasket. (Replaces MerCruiser part # 27-41811.)
MC47-27-41813	Direct replacement restrictor gasket. (Replaces MerCruiser part # 99208 A1.)
MC-50-87238	Exhaust manifold drain cock.
MC47-27-46820	Exhaust manifold-to-cylinder head gasket. (Replaces MerCruiser part # 27-46820.)
MC-20-87918	Direct replacement stainless fresh water-cooling block-off plate for use with MerCruiser riser #'s 98502, # 98504 and # 44354.
MC-20-99208	Direct replacement stainless block-off plate with bleeder holes for use with MerCruiser riser #'s 98502, # 98504 and # 44354.
MC-29-47442	Upper Thermostat Housing.
MC-29-78985	Lower Thermostat Housing.

## MerCruiser V8 Models 188, 215, 225, 233, 255, 302, 351 and 888 cu.in. All Years Center Riser Generic



<b>Part #</b>	<b>Detailed Description</b>
FM-1-83	Manifold (comes complete with mounting hardware).
20-0082	Riser (comes complete with mounting hardware and manifold-to-riser gasket). Standard for use with 3" i.d. exhaust hose.
20-0087 P	90 degree exhaust elbow adaptor for stern-drive applications (includes adaptor, hose and clamps). For use with 3" i.d. exhaust hose. (Order (2) of the appropriate exhaust packages according to your requirements.)
20-0089 P	30 degree exhaust elbow adaptor (includes adaptor, hose and clamps). For use with 3" i.d. exhaust hose. (Order (2) of the appropriate exhaust packages according to your requirements.)
20-0093 P	90 degree exhaust elbow adaptor for stern-drive applications. For use with 3 1/2 or 4" i.d. exhaust hose. (Order (2) of the appropriate exhaust packages according to your requirements.)
20-0097	3" spacer block capable of stacking (complete with hardware, including 3/4" NPT pipe plug).
MC-45-0000	Fuel filter and solenoid universal mounting bracket.
FM-47-0000	Manifold-to-cylinder head gasket.
1-0104 P	Adaptor package to fresh water cool manifold (includes gaskets and block-off plate).
1-0106 P	Adaptor package-raw water (includes gaskets and block-off plate with vent hole).
FM-1-83 SS P	Manifold stainless mounting package (stainless steel bolts and brass pipe plugs).
20-0082 SS P	Riser stainless mounting package (stainless steel bolts, gasket and brass pipe plug).
MC-6-0000 P	Exhaust manifold plumbing fittings package for models 188, 225, 233, 255, 302, 351, 888.
MC-6-0001 P	Exhaust manifold plumbing fittings package for model 215.
20-0100	Riser (comes complete with mounting hardware and manifold-to-riser gasket). Standard for use with 4" i.d. exhaust hose.

**MerCruiser V8 (Ford) 302, 351 cu.in.  
Models 188, 215, 225, 233, 255 and 888 Inboard and Stern-Drive Units  
Log Style Direct Replacement**



<b>Part #</b>	<b>Detailed Description</b>
MC-1-65604	Direct replacement port side exhaust manifold. Requires (1) adaptor gasket # MC47-27-73866. Exhaust manifold mounting package included. Replaces MerCruiser part # 's B-656004 A4 and # B-54100 A5.
MC-1-65603	Direct replacement starboard side exhaust manifold. Requires (1) adaptor gasket # MC47-27-73866. Exhaust manifold mounting package included. Replaces MerCruiser part # 's B-65603 A4 and # B-54099 A5.
1-60252	Direct replacement exhaust manifold end cap/connector. Replaces MerCruiser part # B-60252.
1-60252 P	Exhaust manifold end cap/connector (front) mounting package.
MC47-27-48043	Direct replacement exhaust manifold end cap/connector gasket.
MC-20-76351	Direct replacement exhaust elbow riser (stern-drive). Requires (1) adaptor gasket # MC47-27-52076. Mounting package # MC-20-60426 P available. Replaces MerCruiser part # 's B-76351 A1 and # B-60426 A1.
MC-20-60426	Direct replacement exhaust elbow riser (stern-drive). Requires (1) adaptor gasket # MC47-27-52076. Mounting package # MC-20-60426 P available. Replaces MerCruiser part # 's B-76351 A1 and # B-60426 A1.
MC-20-76771	Direct replacement exhaust elbow riser (inboard). Requires (1) adaptor gasket # MC47-27-52076. Mounting package # MC-20-76771 P available. Replaces MerCruiser part # 's B-76771 A31 and # B-60427 A2.
MC-20-55730	Direct replacement stainless fresh water-cooling block-off plate for use with MerCruiser riser #'s 60426, # 76351 and # 76771. (Requires (2) adaptor gaskets # MC47-27-52076.)
MC-20-60207	Direct replacement stainless block-off plate with bleeder holes for use with MerCruiser riser #'s 60426, # 76351 and # 76771. (Requires (2) adaptor gaskets # MC47-27-52076.)
MC-20-61851 A2	3" riser blocks with fastener and gasket package.
1-73813	Direct replacement manifold end cap (rear). Supersedes part # 1-54870.
MC47-27-73866	Exhaust manifold gasket set.
MC47-27-99777	Direct replacement exhaust elbow riser gasket. Supersedes by MerCruiser part # 27-52076. Replaces MerCruiser part # 27-99777.
MC47-27-52076	Direct replacement exhaust elbow riser gasket. Superseded by MerCruiser part # 27-99777. Replaces MerCruiser part # 27-52076.

# MerCruiser Direct Replacement Exhaust Risers and Accessories

## Direct Replacement



Part #	Detailed Description
MC-20-55538	Direct replacement riser. Requires (1) adaptor gasket # MC47-27-39915. Mounting package # MC-20-55538 P available. Replaces MerCruiser part # B-55538 A2 and # B-39920 A1.
MC-20-60426	Direct replacement exhaust riser. Requires (1) adaptor gasket # MC47-27-52076. Mounting package # MC-20-60426 P available. Replaces MerCruiser part # B-60426 A1 and # B-76351 A1.
MC-20-76351	Direct replacement exhaust riser. Requires (1) adaptor gasket # MC47-27-52076. Mounting package # MC-20-60426 P available. Replaces MerCruiser part # B-60426 A1 and # B-76351 A1.
MC-20-76771	Direct replacement inboard riser. Requires (1) adaptor gasket # MC47-27-52076. Mounting package # MC-20-76771 P available. Replaces MerCruiser part # B-60427 A2 and # B-76771 A3.
MC-20-72963	Direct replacement inboard riser. Requires (1) adaptor gasket # MC47-27-48042. Mounting package # MC-20-72963 P available. Replaces MerCruiser part # B-72963 A1.
MC-20-98502	Direct replacement 0 degree riser. Requires (1) adaptor gasket # MC47-27-41813 or # MC47-27-87105. Mounting package # MC-20-98502 P available. Replaces MerCruiser part # 98502 A2.
MC-20-98504	Direct replacement 15 degree riser. Requires (1) adaptor gasket # MC47-27-41813 or # MC47-27-87105. Mounting package # MC-20-98504 P available. Replaces MerCruiser part # 98504 A3.
MC-20-44354	Direct replacement riser. Requires (1) adaptor gasket # MC47-27-41813 or # MC47-27-87105. Mounting package # MC-20-44354 P available. Replaces MerCruiser part # B-44354 A3.
MC-20-76325	Direct replacement exhaust riser. Requires (1) adaptor gasket # MC47-27-99777. Mounting package # MC-20-76325 P available. Replaces MerCruiser part # 76325A2
MC-20-76668	Direct replacement exhaust elbow riser (stern-drive). Requires (1) adaptor gasket # MC47-27-48042. Mounting package # MC-20-76668 P available. Replaces MerCruiser part # 's B-76668 A3, # B-72964 A1 and # B-47877 A4.
MC-20-12076	Direct replacement exhaust riser. Requires (1) adaptor gasket # MC47-27-99777. Mounting package # MC-20-12076 P available. (Replaces MerCruiser part # 12076 A1.)
MC-20-55730	Direct replacement stainless fresh water-cooling block-off plate for use with MerCruiser riser #'s 60426, # 76351 and # 76771. (Requires (2) adaptor gaskets # MC47-27-52076.)
MC-20-60207	Direct replacement stainless block-off plate with bleeder holes for use with MerCruiser riser #'s 60426, # 76351 and # 76771. (Requires (2) adaptor gaskets # MC47-27-52076.)
MC-20-87918	Direct replacement stainless fresh water-cooling block-off plate for use with MerCruiser riser #'s 98502, # 98504 and # 44354. (Requires (2) adaptor gaskets #MC47-27-41811.)
MC-20-99208	Direct replacement stainless block-off plate with bleeder holes for use with MerCruiser riser #'s 98502, # 98504 and # 44354. (Requires (2) adaptor gaskets # MC47-27-41813.)
MC-20-90880	Direct replacement riser. Requires (1) adaptor gasket # MC47-27-97542. Mounting package # MC-20-90880 P available. (Replaces MerCruiser part # 90880 A2.)

# MerCruiser 3" and 6" Riser Kits Direct Replacement

MC-20-61811A4



MC-20-61851A3



MC-20-61851A2



MC-20-93320A3



MC-20-93322A3



## Part #

MC-20-61811 A4  
MC-20-61851 A3  
MC-20-61851 A2  
MC-20-93320 A3  
MC-20-93322 A3

## Detailed Description

Direct replacement 3" riser blocks (pair) with fastener and gasket (27-48042) package.  
Direct replacement 3" riser blocks (single) with fastener and gasket (27-99777) package.  
Direct replacement 3" riser blocks (pair) with fastener and gasket (27-99777) package.  
Direct replacement 3" riser blocks (pair) with fastener and gasket (27-87105), (27-41813), package.  
Direct replacement 6" riser blocks (pair) with fastener and gasket (part # 27-41811), (part # 27-41813), (part # 27-87105) package.

## MerCruiser Thermostat Housing Assemblies



MC-29-60372



MC-29-47587



MC-29-47441



MC-29-78985



MC-29-62898



MC-29-63588



MC-29-87290



MC-29-78984

### Part #

MC-29-60372  
 MC47-47590  
 MC-29-47587  
 MC47-33680  
 MC-29-59078  
 MC-29-47441  
 MC47-48818  
 MC-29-78984  
 MC47-53045  
 MC-29-59137  
 MC-29-59498  
 MC-29-62898  
 MC47-60208  
 MC-29-60783  
 MC-29-63588  
 MC47-54506  
 MC-29-59137  
 MC-29-47441  
 MC47-41812  
 MC-29-87290  
 MC47-53045  
 MC-29-59137  
 MC-29-97429  
 MC47-90556  
 MC-29-87290  
 MC47-53045  
 MC-29-59137  
 MC-29-47442  
 MC47-48818  
 MC-29-78985  
 MC-29-79468  
 MC47-53045  
 MC-29-59137  
 MC-29-47442  
 MC-29-97428  
 MC47-90556  
 MC-29-90736  
 MC47-53045  
 MC-29-59137  
 MC-29-47442  
 MC47-48818  
 MC-29-47479  
 MC-29-49966  
 MC-29-52852  
 MC-29-78985  
 MC47-53045  
 MC-29-59137

### Detailed Description

Upper Thermostat Housing - Models 120, 140, 120R/140R, 160, 165, 200  
 Upper Thermostat Housing Gasket - Models 120, 140, 120R/140R, 160, 165, 200  
 Lower Thermostat Housing - Models 120, 140, 120R/140R, 160, 165, 200  
 Lower Thermostat Housing Gasket - Models 120, 140, 120R/140R, 160, 165, 200  
 Lower Thermostat - Models 120, 140, 120R/140R, 160, 165, 200  
 Upper Thermostat Housing - Models 225 (GM), 260, 228, 898/198  
 Upper Thermostat Housing Gasket - Models 225 (GM), 260, 228, 898/198  
 Lower Thermostat Housing - Models 225 (GM), 260, 228, 898/198  
 Lower Thermostat Housing Gasket - Models 225 (GM), 260, 228, 898/198  
 Lower Thermostat - Models 225 (GM), 260, 228, 898/198  
 Upper Thermostat Housing - Models 888, 225 (Ford), 233, (Ford), 255 (Ford)  
 Upper Thermostat Housing - Models 888, 225 (Ford), 233, (Ford), 255 (Ford)  
 Upper Thermostat Housing Gasket - Models 888, 225 (Ford), 233, (Ford), 255 (Ford)  
 Lower Thermostat Housing - Models 888, 225 (Ford), 233, (Ford), 255 (Ford)  
 Lower Thermostat Housing - Models 888, 225 (Ford), 233, (Ford), 255 (Ford)  
 Lower Thermostat Housing Gasket - Models 888, 225 (Ford), 233, (Ford), 255 (Ford)  
 Lower Thermostat - Models 888, 225 (Ford), 233, (Ford), 255 (Ford)  
 Upper Thermostat Housing - Models 185R, 898R/228R/260R  
 Upper Thermostat Housing Gasket - Models 185R, 898R/228R/260R  
 Lower Thermostat Housing - Models 185R, 898R/228R/260R  
 Lower Thermostat Housing Gasket - Models 185R, 898R/228R/260R  
 Lower Thermostat - Models 185R, 898R/228R/260R  
 Upper Thermostat Housing - Models 230 (Inboard), 260 (Inboard)  
 Upper Thermostat Housing Gasket - Models 230 (Inboard), 260 (Inboard)  
 Lower Thermostat Housing - Models 230 (Inboard), 260 (Inboard)  
 Lower Thermostat Housing Gasket - Models 230 (Inboard), 260 (Inboard)  
 Lower Thermostat - Models 230 (Inboard), 260 (Inboard)  
 Upper Thermostat Housing - Models 330 (GM)  
 Upper Thermostat Housing Gasket - Models 330 (GM)  
 Lower Thermostat Housing - Models 330 (GM)  
 Lower Thermostat Housing - Models 330 (GM)  
 Lower Thermostat Housing Gasket - Models 330 (GM)  
 Lower Thermostat - Models 330 (GM)  
 Upper Thermostat Housing - Models 330 (Inboard), 340 (Inboard)  
 Upper Thermostat Housing - Models 330 (Inboard), 340 (Inboard)  
 Upper Thermostat Housing Gasket - Models 330 (Inboard), 340 (Inboard)  
 Lower Thermostat Housing - Models 330 (Inboard), 340 (Inboard)  
 Lower Thermostat Housing Gasket - Models 330 (Inboard), 340 (Inboard)  
 Lower Thermostat - Models 330 (Inboard), 340 (Inboard)  
 Upper Thermostat Housing - Models 325, 350  
 Upper Thermostat Housing Gasket - Models 325, 350  
 Lower Thermostat Housing - Models 325, 350  
 Lower Thermostat Housing - Models 325, 350  
 Lower Thermostat Housing - Models 325, 350  
 Lower Thermostat Housing - Models 325, 350  
 Lower Thermostat Housing - Models 325, 350  
 Lower Thermostat Housing Gasket - Models 325, 350  
 Lower Thermostat - Models 325, 350

# MerCruiser Thermostat Kits



MC-47-475 KIT  
Contents:

MC47-47590 Gasket  
MC29-590789 Thermostat



MC47-602 KIT  
Contents:

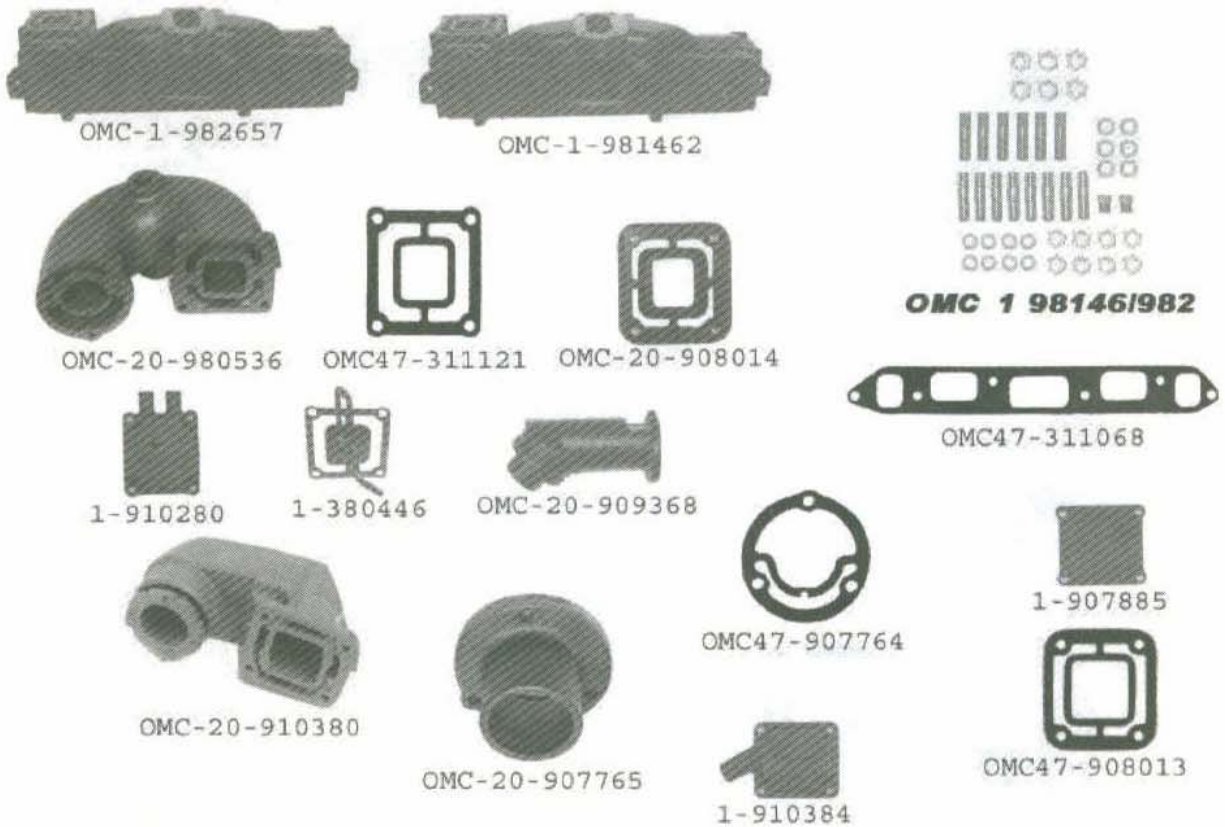
MC47-60208 Gasket  
MC29-59137 Thermostat



MC47-488 KIT  
MC47-48818 Gasket  
MC29-59137 Thermostat

Part #	Detailed Description
MC47-475 KIT	Thermostat Kit 475 - Engine model 120 Beginning S/N 2324347 - Ending S/N 337734. Note: MC47-475 Kit Contents: MC47-47590 Gasket and MC29-59078 Thermostat.
MC47-475 KIT	Thermostat Kit 475 - Engine model 120 Beginning S/N 3377341 - Ending S/N Up. Note: MC47-475 Kit Contents: MC47-47590 Gasket and MC29-59078 Thermostat.
MC47-475 KIT	Thermostat Kit 475 - Engine model 140 Beginning S/N 2508261 - Ending S/N Up. Note: MC47-475 Kit Contents: MC47-47590 Gasket and MC29-59078 Thermostat.
MC47-475 KIT	Thermostat Kit 475 - Engine model 165 Beginning S/N 2770032 - Ending S/N Up. Note: MC47-475 Kit Contents: MC47-47590 Gasket and MC29-59078 Thermostat.
MC47-488 KIT	Thermostat Kit 488 - Engine model 198 Beginning S/N 4776402 - Ending S/N 6218461. Note: MC47-488 Kit Contents: MC47-48818 Gasket and MC29-59137 Thermostat.
MC47-602 KIT	Thermostat Kit 602 - Engine model 215 Beginning S/N 3040411 - Ending S/N Up. Note: MC47-602 Kit Contents: MC47-60208 Gasket and MC29-59137 Thermostat.
MC47-488 KIT	Thermostat Kit 488 - Engine model 225 Beginning S/N 2278647 - Ending S/N 2694014. Note: MC47-488 Kit Contents: MC47-48818 Gasket and MC29-59137 Thermostat.
MC47-602 KIT	Thermostat Kit 602 - Engine model 225 Beginning S/N 3385721 - Ending S/N Up. Note: MC47-602 Kit Contents: MC47-60208 Gasket and MC29-59137 Thermostat.
MC47-488 KIT	Thermostat Kit 488 - Engine model 228 Beginning S/N 4765100 - Ending S/N 6218461. Note: MC47-488 Kit Contents: MC47-48818 Gasket and MC29-59137 Thermostat.
MC47-488 KIT	Thermostat Kit 488 - Engine model 230 Beginning S/N 6040716 - Ending S/N Up. Note: MC47-488 Kit Contents: MC47-48818 Gasket and MC29-59137 Thermostat.
MC47-602 KIT	Thermostat Kit 602 - Engine model 233 Beginning S/N 4173000 - Ending S/N Up. Note: MC47-602 Kit Contents: MC47-60208 Gasket and MC29-59137 Thermostat.
MC47-488 KIT	Thermostat Kit 488 - Engine model 250 Beginning S/N 2314301 - Ending S/N 2639854. Note: MC47-488 Kit Contents: MC47-48818 Gasket and MC29-59137 Thermostat.
MC47-488 KIT	Thermostat Kit 488 - Engine model 250 Beginning S/N 4768000 - Ending S/N 4908849 Note: MC47-488 Kit Contents: MC47-48818 Gasket and MC29-59137 Thermostat.
MC47-602 KIT	Thermostat Kit 602 - Engine model 255 (Ford) Beginning S/N 3258728 - Ending S/N Up. Note: MC47-602 Kit Contents: MC47-60208 Gasket and MC29-59137 Thermostat.
MC47-488 KIT	Thermostat Kit 488 - Engine model 255 (GM) Beginning S/N 4175500 - Ending S/N Up. Note: MC47-488 Kit Contents: MC47-48818 Gasket and MC29-59137 Thermostat.
MC47-488 KIT	Thermostat Kit 488 - Engine model 260 Beginning S/N 5907058 - Ending S/N Up. Note: MC47-488 Kit Contents: MC47-48818 Gasket and MC29-59137 Thermostat.
MC47-488 KIT	Thermostat Kit 488 - Engine model 270 Beginning S/N 2851074 - Ending S/N 3077735. Note: MC47-488 Kit Contents: MC47-48818 Gasket and MC29-59137 Thermostat.
MC47-488 KIT	Thermostat Kit 488 - Engine model 280 Beginning S/N 4176250 - Ending S/N Up. Note: MC47-488 Kit Contents: MC47-48818 Gasket and MC29-59137 Thermostat.
MC47-488 KIT	Thermostat Kit 488 - Engine model 325 Beginning S/N 2278747 - Ending S/N Up. Note: MC47-488 Kit Contents: MC47-48818 Gasket and MC29-59137 Thermostat.
MC47-488 KIT	Thermostat Kit 488 - Engine model 330 Beginning S/N 4623115 - Ending S/N Up. Note: MC47-488 Kit Contents: MC47-48818 Gasket and MC29-59137 Thermostat.
MC47-488 KIT	Thermostat Kit 488 - Engine model 340 Beginning S/N 5889914 - Ending S/N Up. Note: MC47-488 Kit Contents: MC47-48818 Gasket and MC29-59137 Thermostat.
MC47-488 KIT	Thermostat Kit 488 - Engine model 350 Beginning S/N 3780450 - Ending S/N Up. Note: MC47-488 Kit Contents: MC47-48818 Gasket and MC29-59137 Thermostat.
MC47-488 KIT	Thermostat Kit 488 - Engine model 370 Beginning S/N 4179554 - Ending S/N Up. Note: MC47-488 Kit Contents: MC47-48818 Gasket and MC29-59137 Thermostat.
MC47-488 KIT	Thermostat Kit 488 - Engine model 390 Beginning S/N 2781129 - Ending S/N 2825059. Note: MC47-488 Kit Contents: MC47-48818 Gasket and MC29-59137 Thermostat.
MC47-602 KIT	Thermostat Kit 602 - Engine model 888 Beginning S/N 3108723 - Ending S/N Up. Note: MC47-602 Kit Contents: MC47-60208 Gasket and MC29-59137 Thermostat.
MC47-488 KIT	Thermostat Kit 488 - Engine model 898 Beginning S/N 4762210 - Ending S/N 6218461. Note: MC47-488 Kit Contents: MC47-48818 Gasket and MC29-59137 Thermostat.

## OMC 4-cylinder 153 cu.in. 120 h.p. 2.5 litre Model 120 Engine Log Style Direct Replacement



**Part #**

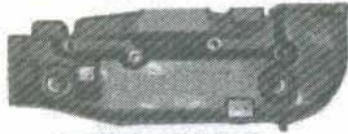
OMC-1-981462  
 OMC-1-982657  
 1-910280  
 1-910280 P  
 1-910384  
 1-907885  
 1-380446  
 OMC-20-908014  
  
 OMC47-311121  
 OMC47-311068  
 OMC-20-980536  
  
 OMC-20-907765  
 OMC-20-910380  
  
 OMC-20-909368  
 OMC47-908013  
 OMC47-907764  
 OMC-1-981462 P  
 OMC-1-982657 P

**Detailed Description**

Direct replacement exhaust manifold. Replaces OMC part # 979729 and # 980459  
 Direct replacement exhaust manifold. Heat source for automatic choke in exhaust port.  
 Direct replacement front end cap. Replaces OMC part # 910280 and # 311550-choke.  
 Front end cap mounting package.  
 Direct replacement front end cap. Replaces OMC part # 910384  
 Direct replacement rear end cap. Replaces OMC part # 907885  
 Heat exchanger assembly.  
 Exhaust manifold-to-riser adaptor for use with OMC riser part # 980188 or part # 910380. (Requires (1) gasket # OMC47-908013).  
 Exhaust manifold to elbow gasket.  
 Exhaust manifold-to-cylinder head gasket.  
 Direct replacement exhaust riser. Replaces OMC riser parts # 979730 and # 980536. (Requires (1) gasket # OMC47-907764).  
 Direct replacement exhaust elbow to hose adaptor.  
 Direct replacement exhaust elbow. Replaces OMC riser parts # 980188 and # 910380. (Requires (1) gasket # OMC47-908013).  
 Direct replacement high-rise to adaptor elbow for use with # OMC20-980536  
 Direct replacement to elbow gasket.  
 Exhaust elbow to hose adaptor gasket.  
 Exhaust manifold mounting package.  
 Exhaust manifold mounting package.



# OMC 4-Cylinder 181 cu. in. 140 h.p. Model 3.0 Litre Engine Log Style Direct Replacement



OMC-1-984054



1-910384



OMC-20-910380



OMC47-908079



OMC47-311121



OMC47-908013



OMC-1-984084 P

**Part #**

OMC-1-984054  
 1-910384  
 1-907885  
 OMC-20-910380  
  
 OMC47-311121  
 OMC47-908079  
 OMC47-908013  
 OMC47-907761  
 OMC-1-984084 P

**Detailed Description**

Direct replacement exhaust manifold. Replaces OMC part #'s 9980083, # 980460, # 980460, # 980957 and # 982490  
 Direct replacement front end cap. Replaces OMC part # 910384  
 Direct replacement rear end cap. Replaces OMC part # 907885  
 Direct replacement exhaust elbow. Replaces OMC part #'s 980188 and # 910380. (Requires (1) gasket # OMC47-908013).  
 Cap to manifold gasket (front).  
 Exhaust manifold-to-cylinder head gasket.  
 Exact replacement to elbow gasket.  
 Cap to manifold gasket (rear).  
 Exhaust manifold mounting package.

## OMC V6 - 155 h.p. All Years Log Style Generic



BV6-1-75



OMC-29-0000



OMC-1-0092



OMC-29-383307



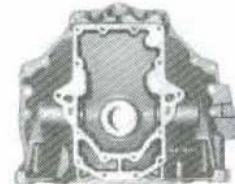
OMC-6-0000 P



OMC47-314809



20-0031



OMC-24-0000

**Part #**

BV6-1-75 L & R  
20-0031

OMC-29-0000  
OMC47-314809  
OMC-29-383307  
OMC-1-0092  
OMC-6-0000 P  
OMC-24-0000

**Detailed Description**

Water-cooled exhaust manifold. Left and right. (Pair) (Price Each)  
90 degree exhaust elbow connector with internal water discharge. Accepts 2 1/2" or 3" i.d. exhaust hose.  
Swivels. (Replaces OMC part # 312150 port side), ( part # 312151 starboard), (part # 907776 port side), (part # 907777 starboard). Requires (1) mounting hardware kit 20-0002 P per connector.  
Upper thermostat housing. Replaces either OMC # 314810 or # 982201.  
Thermostat housing gasket.  
160 degree thermostat.  
Front end plate with choke stove heat exchanger (starboard side only).  
Plumbing fittings package (3/4" i.d. hose only).  
Adaptor housing. Replaces OMC # 384560 or # 980382

# OMC V6 - 155 h.p. All Years Log Style Direct Replacement



OMC-1-979759



OMC-1-979758



OMC-24-0000



OMC-20-981281



OMC-1-97975 P



OMC47-314809



1-312148



OMC-20-981281 P



1-312149



1-31214 P



OMC47-311130



OMC-29-383307



OMC-29-982201



1-380985

## Part #

OMC-1-979758  
OMC-1-979759  
OMC-20-981281

OMC-20-981281 P  
1-312148  
1-31214 P  
1-312149

OMC47-311130  
OMC-1-97975 P  
OMC-29-982201  
OMC47-314809  
OMC-29-383307  
1-380985  
OMC-24-0000

## Detailed Description

Direct replacement exhaust manifold (port side). (Replaces OMC part # 979758)

Direct replacement exhaust manifold (starboard side). (Replaces OMC part # 979759)

Direct replacement exhaust elbow. Requires (1) adaptor gasket OMC47-311130. (Replaces OMC part # 's 907776 and # 907777.)

Exhaust elbow mounting package.

Direct replacement exhaust manifold end cap/connector (front) port side.

Exhaust manifold end cap/connector mounting package.

Direct replacement exhaust manifold end cap/connector (front) starboard side. (Replaces OMC part # 312149.)

Direct replacement exhaust manifold end cap/connector gasket.

Exhaust manifold mounting package.

Upper thermostat housing. (Replaces either OMC # 314810 or # 982201)

Thermostat housing gasket.

160 degree thermostat.

Choke stove heat exchanger (starboard side only).

Adaptor housing. (Replaces OMC # 384560 or # 980382.)

**OMC V8 - 283, 305, 307 and 350 cu. in.  
Models 210, 215, 225, 235 and 245 h.p.  
Log Style Generic**



**Part #**

OF-1-60 L & R  
20-0055

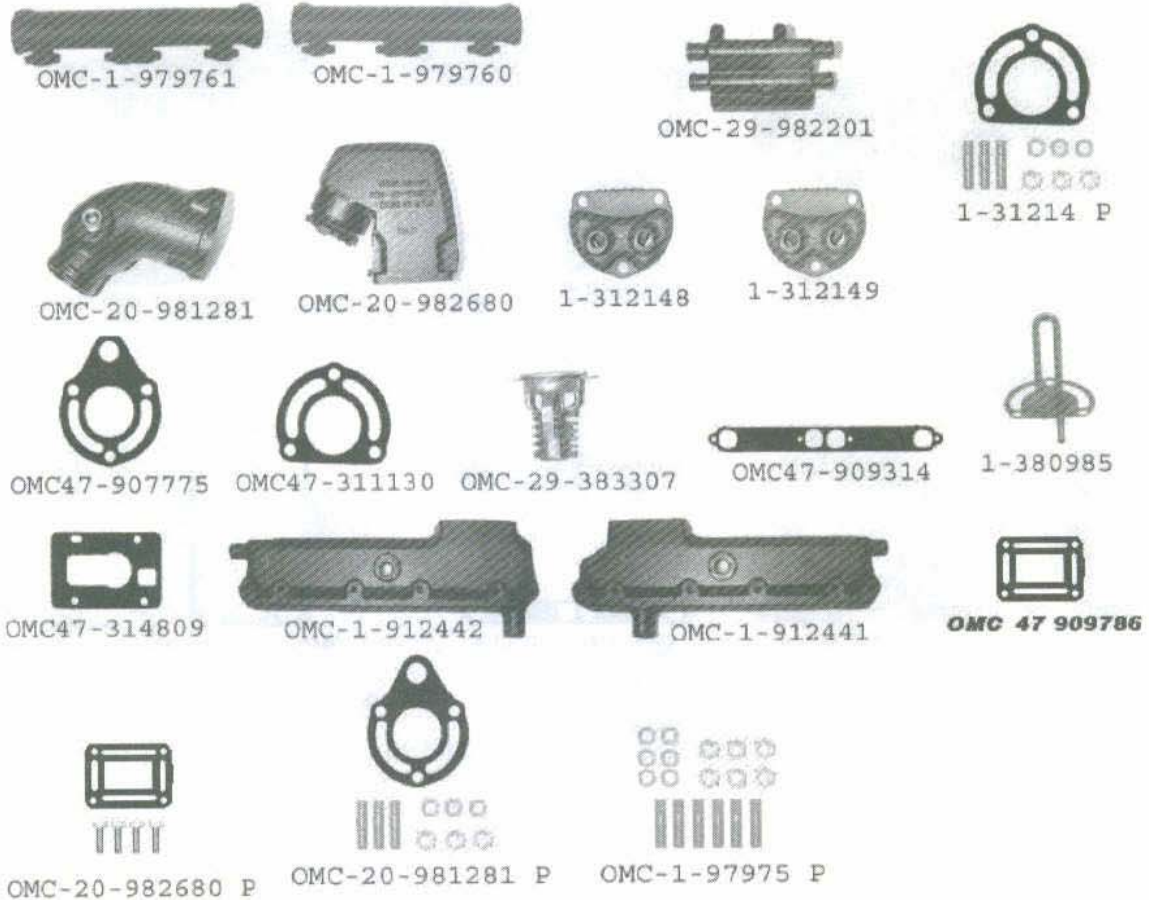
20-0031

OMC-29-0000  
OMC47-314809  
OMC-29-383307  
OMC-24-0000  
OMC47-909515  
OMC-6-0000 P  
OMC-24-0000 P  
OMC47-909314  
20-0002 P

**Detailed Description**

Water-cooled exhaust manifold. (Pair) (Price Each)  
30 degree fully jacketed exhaust elbow connector. Accepts 2 1/2" or 3" i.d. exhaust hose. Swivels. Requires (1) mounting hardware kit # 20-0002 P per connector.  
90 degree exhaust elbow connector with internal water discharge. Accepts 2 1/2" or 3" i.d. exhaust hose. Swivels. (Replaces OMC part # 312150 port), (part # 312151 starboard), (part # 907776 port), (part # 907777 starboard). (Requires (1) mounting hardware kit 20-0002 P per connector.)  
Upper thermostat housing. (Replaces either OMC # 314810 or # 982201.)  
Thermostat housing gasket.  
160 degree thermostat.  
Adaptor housing. (Replaces OMC # 384560 or # 980382.)  
Adaptor housing gasket.  
Plumbing fittings package (3/4" i.d. hose only).  
Adaptor housing mounting package.  
Exhaust manifold-to-cylinder head gasket.  
Mounting hardware kit.

**OMC V8 - 283, 305, 307, and 350 cu. in.  
Models 185, 200, 225, 230, 245 and 260 h.p.  
Log Style Direct Replacement**



**Part #**

- OMC-1-979760
- OMC-1-979761
- OMC-20-981281
  
- 1-312148
- 1-312148 P
- OMC-20-981281 P
- OMC47-311130
- OMC47-907775
- OMC-1-97976 P
- OMC-29-982201
- OMC47-314809
- OMC-29-383307
- OMC47-909314
- 1-312149
  
- 1-380985
- OMC-1-912442
  
- OMC-1-912441
  
- OMC-20-982680
  
- OMC-20-982680 P
- OMC47-909314

**Detailed Description**

- Direct replacement exhaust manifold (port side). (Replaces OMC part # 979760.)
- Direct replacement exhaust manifold (starboard side). (Replaces OMC part # 979761.)
- Direct replacement exhaust elbow. Requires (1) adaptor gasket OMC47-311131. (Replaces OMC part # 's 907776 and # 907777.)
- Direct replacement exhaust manifold end cap/connector (front). (Replaces OMC part # 312148.)
- Exhaust manifold end cap/connector mounting package.
- Exhaust elbow mounting package.
- Direct replacement exhaust manifold end cap/connector gasket.
- Direct replacement exhaust manifold end cap/connector gasket.
- Exhaust manifold mounting package.
- Upper thermostat housing. Replaces either MC # 314810 or # 982201
- Thermostat housing gasket.
- 160 degree thermostat.
- Exhaust manifold-to-cylinder head gasket.
- Direct replacement exhaust manifold end cap/connector (front) starboard side. (Replaces OMC part # 312149)
- Choke stove heat exchanger (starboard side only).
- Direct replacement exhaust manifold. Requires (1) adaptor gasket OMC47-909314 (port side). (Replaces OMC part # 's 912442 and # 910144.)
- Direct replacement exhaust manifold. Requires (1) adaptor gasket OMC47-909314 (starboard side). (Replaces OMC part # 909280.)
- Direct replacement exhaust elbow. Requires (1) adaptor gasket OMC47-909786. (Replaces OMC part # 982680.)
- Exhaust elbow mounting package.
- Exhaust manifold-to-cylinder head gasket.

**OMC V8 - 283, 305, 307 and 350 cu. in.  
Models 185, 200, 225, 230 and 260 h.p. 245 Jet Drive  
Center Riser Generic**



<b>Part #</b>	<b>Detailed Description</b>
CHV-1-83	Manifold (comes complete with mounting hardware).
20-0082	Riser (comes complete with mounting hardware and manifold-to-riser gasket). Standard for use with 3" i.d. exhaust hose.
20-0084 P	Straight exhaust adaptor (includes adaptor, hose and clamps). For use with 3" i.d. exhaust hose. (Order (2) of the appropriate exhaust packages according to your requirements.)
20-0085 P	Straight exhaust adaptor (includes adaptor, hose and clamps). For use with 2 1/2" i.d. exhaust hose. (Order (2) of the appropriate exhaust packages according to your requirements.)
20-0089 P	30 degree exhaust elbow adaptor (includes adaptor, hose and clamps). For use with 3" i.d. exhaust hose. (Order (2) of the appropriate exhaust packages according to your requirements.)
20-0088 P	30 degree exhaust elbow adaptor (includes adaptor, hose and clamps). For use with 2 1/2" i.d. exhaust hose. (Order (2) of the appropriate exhaust packages according to your requirements.)
20-0087 P	90 degree exhaust elbow adaptor for stern-drive applications (includes adaptor, hose and clamps). For use with 3" i.d. exhaust hose. (Order (2) of the appropriate exhaust packages according to your requirements.)
20-0086 P	90 degree exhaust elbow adaptor for stern-drive applications (includes adaptor, hose and clamps). For use with 2 1/2" i.d. exhaust hose. (Order (2) of the appropriate exhaust packages according to your requirements.)
20-0093 P	90 degree exhaust elbow adaptor for stern-drive applications (includes adaptor, hose and clamps). For use with 3 1/2 to 4" i.d. exhaust hose. (Order (2) of the appropriate exhaust packages according to your requirements.)
CHV-47-0000	Manifold-to-cylinder head gasket. (Replaces OMC # 909314.)
1-0104 P	Adaptor package to fresh water cool manifold (includes gaskets and block-off plate).
1-0106 P	Adaptor package raw-water (includes gaskets and block-off plate with vent hole).
OMC-20-0003	Hose bushing 3" to 3 1/2" (where applicable).
MC-6-0001 P	Plumbing fittings package (1" i.d. hose only).
CHV-1-83 SS P	Manifold stainless mounting package (includes stainless steel bolts and brass pipe plugs).
20-0082 SS P	Riser mounting package (includes stainless steel bolts, gasket and brass pipe plugs).
1-0105	Center riser manifold-to-riser gasket for fresh water (heat exchanger) cooling.
1-0107	Center riser manifold-to-riser gasket (raw-water cooling).

# OMC V8 - 5.7 Litre Center Riser Direct Replacement



OMC-1-914035

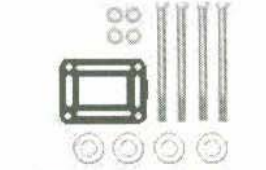
OMC47-913783



OMC-20-913784



OMC47-909314



OMC-20-913784 P

**Part #**

OMC-1-914035

OMC-20-913784

OMC-20-913784 P

OMC47-913783

OMC47-909317

OMC47-909314

**Detailed Description**

Direct replacement exhaust manifold. Requires (1) adaptor gasket OMC47-909314. (Replaces OMC part # 914035.)

Direct replacement exhaust elbow. Requires (1) adaptor gasket OMC47-913783. (Replaces OMC part # 913784.)

Exhaust elbow mounting package.

Exhaust elbow to manifold gasket.

Exhaust manifold-to-cylinder head gasket.

Adaptor gasket.

**OMC (Ford) V8 - 302 and 351 cu. in.  
Models 170, 175, 190 and 235 h.p.  
Direct Replacement**



OMC47-908935

OMC-1-980959 P

OMC-20-980617 P

**Part #**

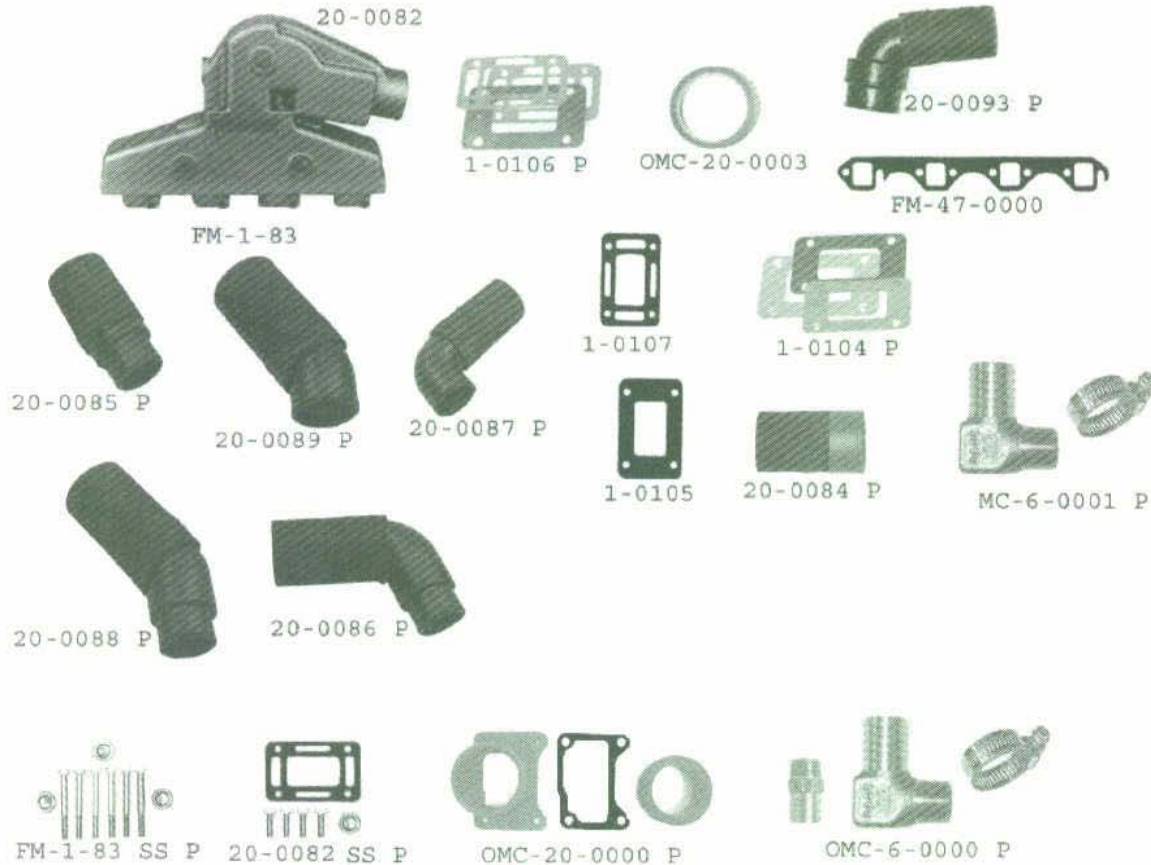
- OMC-1-980959
- OMC-20-980617
- 1-908719
- 1-908719 P
- OMC-20-980617 P
- OMC47-908935
- OMC47-908717
- OMC-1-980959 P

**Detailed Description**

- Direct replacement exhaust manifold. (Replaces OMC part # 's 980572 and # 980959.)
- Direct replacement exhaust elbow. Requires (1) adaptor gasket OMC47-908935. (Replaces OMC part # 980617.)
- Direct replacement exhaust manifold end cap/connector (front). (Replaces OMC part # 908719.)
- Direct replacement exhaust manifold end cap/connector gasket.
- Exhaust manifold-to-cylinder head gasket.



**OMC (Ford) V8 - 302 and 351 cu. in.  
Models 170, 175, 190, 235, 240 and 250 h.p.  
Center Riser Generic**



<b>Part #</b>	<b>Detailed Description</b>
OMC-20-0003	Hose bushing 3" to 3 1/2" (where applicable).
OMC-6-0000 P	Plumbing fittings package (3/4" i.d. hose only).
MC-6-0001 P	Plumbing fittings package (1" i.d. hose only).
FM-1-83 SS P	Manifold stainless mounting package (includes stainless steel bolts and brass pipe plugs).
20-0082 SS P	Riser stainless mounting package (includes stainless steel bolts, gasket and brass pipe plugs).
FM-1-83	Manifold (comes complete with mounting hardware).
20-0082	Riser (comes complete with mounting hardware and manifold-to-riser gasket). Standard for use with 3" i.d. exhaust hose.
20-0084 P	Straight exhaust adaptor (includes adaptor, hose and clamps). For use with 3 1/2" i.d. exhaust hose. (Order (2) of the appropriate exhaust packages according to your requirements.)
20-0085 P	Straight exhaust adaptor (includes adaptor, hose and clamps). For use with 2 1/2" i.d. exhaust hose. (Order (2) of the appropriate exhaust packages according to your requirements.)
20-0089 P	30 degree exhaust elbow adaptor (includes adaptor, hose and clamps). For use with 3" i.d. exhaust hose. (Order (2) of the appropriate exhaust packages according to your requirements.)
20-0088 P	30 degree exhaust elbow adaptor (includes adaptor, hose and clamps). For use with 2 1/2" i.d. exhaust hose. (Order (2) of the appropriate exhaust packages according to your requirements.)
20-0087 P	90 degree exhaust elbow adaptor for stern-drive applications (includes adaptor, hose and clamps). For use with 3" i.d. exhaust hose. (Order (2) of the appropriate exhaust packages according to your requirements.)
20-0086 P	90 degree exhaust elbow adaptor for stern-drive applications (includes adaptor, hose and clamps). For use with 2 1/2" i.d. exhaust hose. (Order (2) of the appropriate exhaust packages according to your requirements.)
20-0093 P	90 degree exhaust elbow for stern-drive applications (includes adaptor, hose and clamps). For use with 3 1/2 - 4" i.d. exhaust hose. (Order (2) of the appropriate exhaust packages according to your requirements.)
FM-47-0000	Manifold-to-cylinder head gasket. (Replaces OMC # 908717.)
1-0104 P	Adaptor package to fresh water cool manifold (includes gaskets and block-off plate).
1-0106 P	Adaptor package raw-water (includes gaskets and block-off plate with vent hole).
OMC-20-0000 P	Hook-up package maybe required for connection to stern-drive units (exhaust hose and clamps not included).
1-0105	Center riser manifold-to-riser gasket for fresh water (heat exchanger) cooling.
1-0107	Center riser manifold-to-riser gasket (raw-water cooling).

**Perkins Diesel 160 h.p. 354 cu. in.  
Model T6.354M**



PE-1-6354

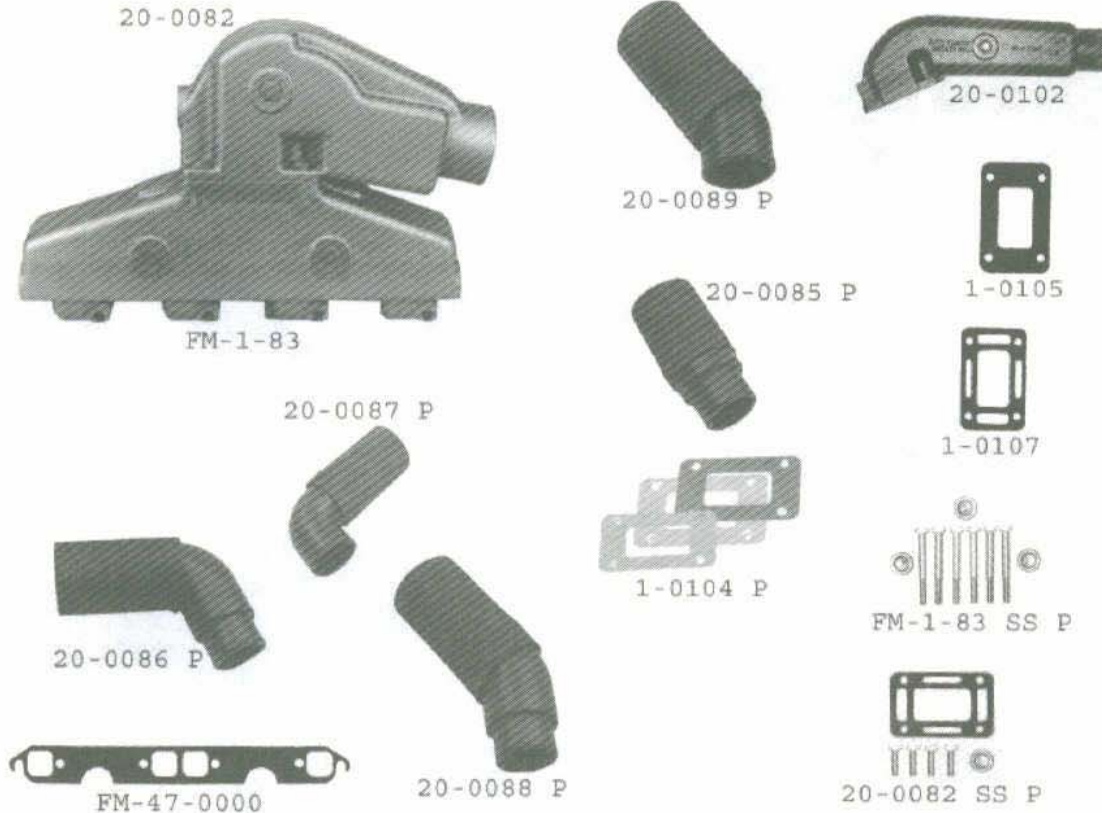


PE-1-6354-B

**Part #**  
PE-1-6354  
PE-1-6354B

**Detailed Description**  
Water-cooled manifold. With mounting package.  
Cover plate. Replaces Perkins part # 35732861.

## Pleasurecraft V8 - 302 and 351 cu. in. All Years Center Riser Generic



<b>Part #</b>	<b>Detailed Description</b>
FM-1-83	Manifold (comes complete with mounting hardware).
20-0082	Riser (comes complete with mounting hardware and manifold-to-riser gasket). Standard for use with 3" i.d. exhaust hose.
20-0102	Riser (comes complete with mounting hardware and manifold-to-riser gasket). Standard for use with 3" i.d. exhaust hose.
20-0085 P	Straight exhaust adaptor (includes adaptor, hose and clamps). For use with 2 1/2" i.d. exhaust hose. (Order (2) of the appropriate exhaust packages according to your requirements.)
20-0089 P	30 degree exhaust elbow adaptor (includes adaptor, hose and clamps). For use with 3" i.d. exhaust hose. (Order (2) of the appropriate exhaust packages according to your requirements.)
20-0088 P	30 degree exhaust elbow adaptor (includes adaptor, hose and clamps). For use with 2 1/2" i.d. exhaust hose. (Order (2) of the appropriate exhaust packages according to your requirements.)
20-0087 P	90 exhaust elbow adaptor for stern-drive applications (includes adaptor, hose and clamps). For use with 3" i.d. exhaust hose. (Order (2) of the appropriate exhaust packages according to your requirements.)
20-0086 P	90 degree exhaust elbow adaptor for stern-drive applications (includes adaptor, hose and clamps). For use with 2 1/2" i.d. exhaust hose. (Order (2) of the appropriate exhaust packages according to your requirements.)
FM-47-0000	Manifold-to-cylinder head gasket.
1-0104 P	Adaptor package to fresh water cool manifold (includes gaskets and block-off plate).
FM-1-83 SS P	Manifold stainless mounting package (includes stainless steel bolts and brass pipe plugs).
20-0082 SS P	Riser stainless mounting package (includes stainless steel bolts, gasket and brass pipe plugs).
1-0105	Center riser manifold-to-riser gasket for fresh water (heat exchanger) cooling.
1-0107	Center riser manifold-to-riser gasket (raw-water cooling).

# Universal Atomic 4 Log Style Direct Replacement



UV-1-259624



UV47-261050

**Part #**

UV-1-259624  
UV47-261050

**Detailed Description**

Water-cooled manifold.  
Manifold gasket. Direct replacement for Universal gasket # 261050.

## Volvo 4-Cylinder Models AQ 115 and 130 Log Style Direct Replacement



VO-1-824532



VO-20-825599

### Part #

VO-1-824532

VO-20-825599

### Detailed Description

Direct replacement exhaust manifold. Replaces Volvo part # 824532-6.

Direct replacement exhaust bend. Replaces Volvo part # 825599-4.

**Volvo 4-Cylinder  
Models AQ 120B, 125A, 140A, 145A BB, 140A and 145A  
Log Style Direct Replacement**



VO-1-855387



VO47-855383

**Part #**

VO-1-855387  
VO47-855383

**Detailed Description**

Direct replacement exhaust manifold. Replaces Volvo part # 855377-7 and part # 834438-4.  
Exhaust manifold-to-cylinder head gasket.

## Volvo V8 - 307 and 350 cu. in. All Models Center Riser Generic



Part #	Detailed Description
CHV-1-83	Manifold (comes complete with mounting hardware).
20-0082	Riser (comes complete with mounting hardware and manifold-to-riser gasket). Standard for use with 3" i.d. exhaust hose.
CHV-27-0083	Alternator bracket.
20-0085 P	Straight exhaust adaptor (includes adaptor, hose and clamps). For use with 2 1/2" i.d. exhaust hose. (Order (2) of the appropriate exhaust packages according to your requirements.)
20-0089 P	30 degree exhaust elbow adaptor (includes adaptor, hose and clamps). For use with 3" i.d. exhaust hose. (Order (2) of the appropriate exhaust packages according to your requirements.)
20-0088 P	30 degree exhaust elbow adaptor (includes adaptor, hose and clamps). For use with 2 1/2" i.d. exhaust hose. (Order (2) of the appropriate exhaust packages according to your requirements.)
20-0087 P	90 degree exhaust elbow adaptor for stern-drive applications (includes adaptor, hose and clamps). For use with 3" i.d. exhaust hose. (Order (2) of the appropriate exhaust packages according to your requirements.)
20-0086 P	90 degree exhaust elbow adaptor for stern-drive applications (includes adaptor, hose and clamps). For use with 2 1/2" i.d. exhaust hose. (Order (2) of the appropriate exhaust packages according to your requirements.)
20-0093 P	90 degree exhaust elbow adaptor for stern-drive applications (includes adaptor, hose and clamps). For use with 3 1/2" - 4" i.d. exhaust hose.
CHV-47-0000	Manifold-to-cylinder head gasket.
1-0104 P	Adaptor package to fresh water cool manifold (includes gaskets and block-off plate).
OMC-20-0003	Hose bushing 3" to 3 1/2" (where applicable)
20-0092 P	55 degree exhaust elbow adaptor for stern-drive applications (includes adaptor, hose and clamps). For use with 3" i.d. exhaust hose.
1-0106 P	Adaptor package-raw water (includes gaskets and block-off plate with vent hole).
CHV-1-83 SS P	Manifold stainless mounting package (includes stainless steel bolts and brass pipe plugs).
20-0082 SS P	Riser stainless mounting package (includes stainless steel bolts, gasket and brass pipe plugs).
1-0105	Center riser manifold-to-riser gasket for fresh water (heat exchanger) cooling.
1-0107	Center riser manifold-to-riser gasket (raw-water cooling).

**Volvo V8 - 307 and 350 cu.in.  
Models AQ 200D, 200F, 225D, 225E, 225F, 255B, 260A, 271A, 280A, 290A,  
311A BB, 225A, 225AV, 225B, 260A, 260B, and 260 C  
Center Riser Direct Replacement**



VO-1-835804



VO-20-855384



VO47-835908



VO47-841601

**Part #**

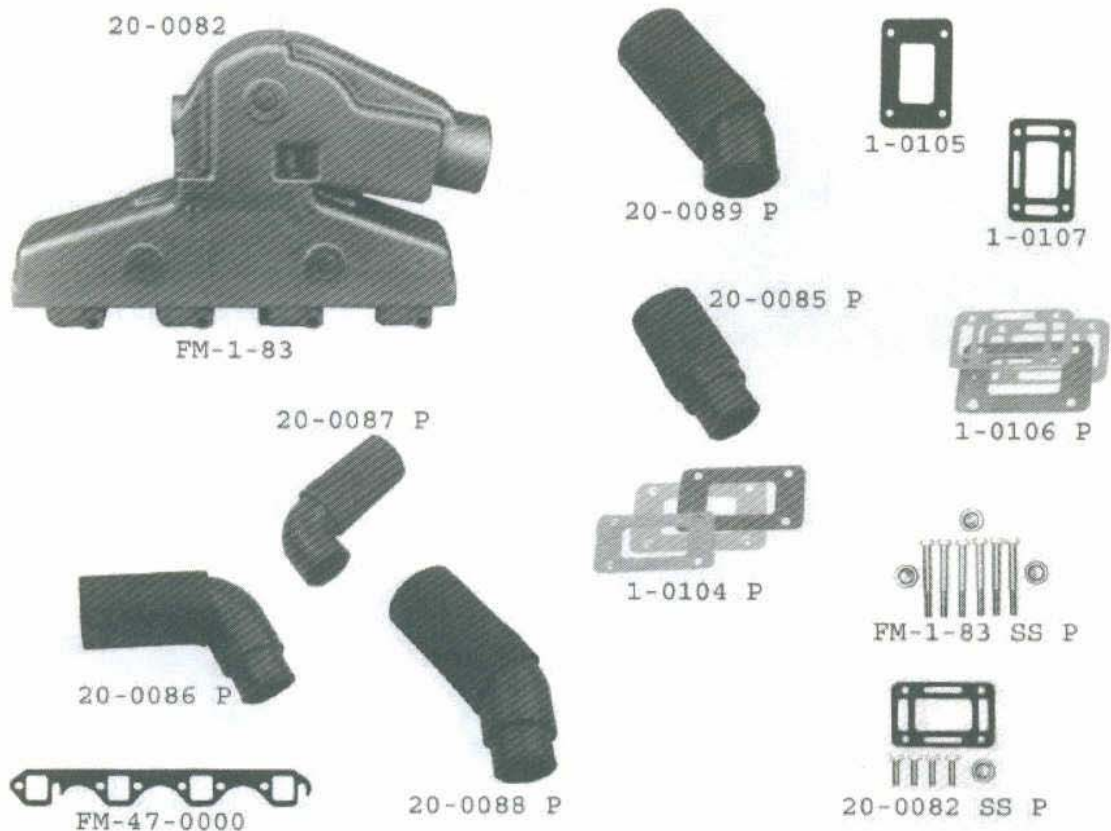
VO-1-835804  
VO47-841601  
VO-20-855384  
VO47-835908

**Detailed Description**

Exact replacement exhaust manifold. Replaces Volvo part # 835804-6.  
Exhaust manifold-to-cylinder head gasket.  
Direct replacement exhaust riser. Replaces Volvo part # 855384-4.  
Exhaust manifold-to-exhaust riser gasket.



## Waukesha V8 - 302 and 351 cu.in. All Years Center Riser Generic



Part #	Detailed Description
FM-1-83	Manifold (comes complete with mounting hardware).
20-0082	Riser (comes complete with mounting hardware and manifold-to-riser gasket). Standard for use with 3" i.d. exhaust hose.
20-0085 P	Straight exhaust adaptor (includes adaptor, hose and clamps.) For use with 2 1/2" i.d. exhaust hose. (Order (2) of the appropriate exhaust packages according to your requirements.)
20-0089 P	30 degree exhaust elbow adaptor (includes adaptor, hose and clamps). For use with 3" i.d. exhaust hose. (Order (2) of the appropriate exhaust packages according to your requirements.)
20-0088 P	30 degree exhaust elbow adaptor (includes adaptor, hose and clamps). For use with 2 1/2" i.d. exhaust hose. (Order (2) of the appropriate exhaust packages according to your requirements.)
20-0087 P	90 degree exhaust elbow adaptor for stern-drive applications (includes adaptor, hose and clamps). For use with 3" i.d. exhaust hose. (Order (2) of the appropriate exhaust packages according to your requirements.)
20-0086 P	90 degree exhaust elbow adaptor for stern-drive applications (includes adaptor, hose and clamps). For use with 2 1/2" i.d. exhaust hose. (Order (2) of the appropriate exhaust packages according to your requirements.)
FM-47-0000	Manifold-to-cylinder head gasket.
1-0104 P	Adaptor package to fresh water cool manifold (includes gaskets and block-off plate).
1-0106 P	Adaptor package raw-water (includes gaskets and block-off plate with vent hole).
FM-1-83 SS P	Manifold stainless mounting package (includes stainless steel bolts and brass pipe plugs).
20-0082 SS P	Riser stainless mounting package (includes stainless steel bolts, gasket and brass pipe plugs).
1-0105	Center riser manifold-to-riser gasket for fresh water (heat exchanger) cooling.
1-0107	Center riser manifold-to-riser gasket (raw-water cooling).

## Adapter Bell Housings



<b>Part #</b>	<b>Detailed Description</b>
OR-WVDC-65-A	Buick V8 1967-1975, 400, 430 and 455 cu.in. Oldsmobile V8, 1964-1984, 330, 350, 400, 403, 425 and 455 cu.in. Pontiac V8 1965-1978, 326, 389, 400, 350, 428 and 455 cu.in. (26 Spline adaptions.)
CHV-24-0001	Chevrolet 6-cylinder (inline) 1962-1979, 194, 230, 250 and all models with 12 5/8" diameter flywheel. 1963, 283, 307, 327 and 350 cu.in. with 12 5/8" flywheel. (26 Spline adaptions.)
CHV-WVDC-5561-A	Chevrolet V8, OHV 1955-1962, 265, 283 and 327 cu.in. 1963 to date, 292 cu.in. with 14" flywheel and starter mounting to flywheel housing. 1959-1970, 348, 409, 396, 427 and 454 cu.in. with 14" flywheel. (26 Spline adaptions.)
CHV-WVDC-70-A	Chevrolet V8, OHV 1971 to date, all models with 14" flywheel and starter mounting to underside of block. (26 Spline Adaption.)
CHV-WVDC-77-A	Chevrolet V8, OHV 1971 to date, all models with 14" flywheel and top mounted starter. (26 Spline Adaption.)
OR-WVDC-78-A	Buick V8 1967-1975, 400, 430 and 455 cu.in. Oldsmobile V8, 1964-1984, 330, 350, 400, 403, 425 and 455 cu.in. Pontiac V8 1965-1978, 326, 389, 400, 350, 428 and 455 cu.in. Except not equipped with rear engine mount. (26 Spline adaptions.)
OR-WVDC-73-A	1964-1984, all above models, for use with top mounted starter. Requires separate rear motor supports which mount to transmission. Order part # AS1-9 for centerline mounting, 9-0003 for 3" offset above centerline mounting, and 9-0004 for 6" (Order starter separately, part # OR-19-73.) (26 Spline adaptions.)
OR-WVDC-76-A	1964-1984, all above models, for use with top mounted starter. Requires separate rear motor supports which mount to transmission. Order part# AS1-9 for centerline mounting, 9-0003 for 3" offset above centerline mounting, and 9-0004 for 6" (Order starter separately, part # OR-19-73.) Except rear engine mounts are incorporated into housing for top mounted starter. (26 Spline adaptions.)
OMC-24-0000	OMC 1965-1976, direct replacement for 384560 and 980382 adaptor housing.
MC-24-44187	Chevrolet 6-cylinder (inline) 250 and 292 cu.in. with 14" flywheel. Chevrolet V6 200, 201, 229 and 262 cu.in. with 14" flywheel. Chevrolet V8 265, 283, 305, 307, 327 and 350 cu.in. with 14" flywheel. Chevrolet V8 348, 396, 409, 427 and 454 cu.in. with 14" flywheel. Chevrolet V8 348, 396, 409, 427 and 454 cu.in. with 14" flywheel. (26 Spline adaptions.)
MC-24-63827	Ford V8, 1965 to date, 289, 302 and 351 cu.in. (identified by the use of 6 bolts to attach the flywheel housing to cylinder block). (26 Spline adaptions.)
MC-24-0001	Cover plate for use on housings utilizing bottom mounted starters. (26 Spline adaptions.)
MC-24-14043	Dust cover used on above Chevrolet and Ford housings. (26 Spline adaptions.)
WVDC-SAE2	SAE Pattern, adapts SAE # 2 pattern to Warner "Velvet Drive" transmission. (26 Spline adaptions.)
WVDC-SAE3	Caterpillar Diesel 3100 and 3200 Series 636 cu.in. Adapts SAE # 3 pattern to Warner "Velvet Drive" transmission. (26 Spline adaptions.)
502-SAE-2	Twin Disc SAE Pattern. Adapts SAE # 2 pattern to Twin Disc 502 transmission.
HUR-SAE-4	Kubota Diesel, 1902 Series, Flywheel housing for Hurth HBW-50, 100 and 150-2R gear 2:1 ratio.
FM-WVDC-70-A	Ford and Mercury, 6-cylinder 1965-1969, 240 and 300 cu.in. Ford and Mercury V8, OHV 1965 to date, 289, 302 and 351 cu.in. (identified by the use of 6 bolts to attach flywheel housing to cylinder block). (26 Spline adaptions.)

# Center Discharge Exhaust Riser



20-0100

20-0082 P



1-0107



1-0104 P



1-0105



1-0106 P



20-0082 SS P

**Part #**

20-0100

1-0105

1-0107

20-0082 P

20-0082 SS P

1-0104 P

1-0106 P

**Detailed Description**

Riser (comes complete with mounting hardware and manifold-to-riser gasket). Standard for use with 4" i.d. exhaust hose.

Exhaust riser-to-manifold gasket. Block-off gasket, fresh water cooling.

Exhaust riser-to-manifold gasket, raw-water cooling.

Riser mounting package (includes bolts, gasket and pipe plug).

Riser stainless mounting package (includes stainless steel bolts, gasket and brass pipe plugs).

Adaptor package to fresh water cool manifold (includes gaskets and block-off plate).

Adaptor package raw-water (includes gaskets and block-off plate with vent hole).

## Exhaust Connectors and "Y" Collectors



20-EC250X300



20-EE300X45 Degree



20-EE300X90 Degree

### Part #

20-EC250X300  
 20-EC250X350  
 20-EC250X400  
 20-EC288X300  
 20-EC288X400  
 20-EC288X450  
 20-EC300X300  
 20-EC300X350  
 20-EC300X400  
 20-EC300X450  
 20-EC300X500  
 20-EC350X500  
 20-EC400X500  
 20-EC400X600  
 20-EC300X400-U  
 20-EE300X45 degree  
 20-EE300X90 degree  
 20-EE300X90 degree S  
 20-EE300X120 degree  
 20-EE300X160 degree  
 20-EE400X90 degree

### Detailed Description

Shank "Y" End 2 1/2" - Diameter Straight End 3" - Overall Length 9 1/2" - Weight in lbs. 6.00  
 Shank "Y" End 2 1/2" - Diameter Straight End 3 1/2" - Overall Length 11 1/2" - Weight in lbs. 8.00  
 Shank "Y" End 2 1/2" - Diameter Straight End 4" - Overall Length 9 1/2" - Weight in lbs. 8.00  
 Shank "Y" End 2 1/8" - Diameter Straight End 3" - Overall Length 11 1/2" - Weight in lbs. 8.50  
 Shank "Y" End 2 1/8" - Diameter Straight End 4" - Overall Length 9 1/2" - Weight in lbs. 7.00  
 Shank "Y" End 2 1/8" - Diameter Straight End 4 1/2" - Overall Length 9 1/2" - Weight in lbs. 8.00  
 Shank "Y" End 3" - Diameter Straight End 3" - Overall Length 9 1/2" - Weight in lbs. 7.00  
 Shank "Y" End 3" - Diameter Straight End 3 1/2" - Overall Length 9 1/2" - Weight in lbs. 8.00  
 Shank "Y" End 3" - Diameter Straight End 4" - Overall Length 9 1/2" - Weight in lbs. 7.00  
 Shank "Y" End 3" - Diameter Straight End 4 1/2" - Overall Length 9 1/2" - Weight in lbs. 8.00  
 Shank "Y" End 3" - Diameter Straight End 5" - Overall Length 9 1/2" - Weight in lbs. 8.00  
 Shank "Y" End 3 1/2" - Diameter Straight End 5" - Overall Length 19 1/2" - Weight in lbs. 18.00  
 Shank "Y" End 4" - Diameter Straight End 5" - Overall Length 13 1/2" - Weight in lbs. 18.00  
 Shank "Y" End 4" - Diameter Straight End 6" - Overall Length 14" - Weight in lbs. 27.00  
 Shank "Y" End 3" - Diameter Straight End 4" - Overall Length 9" - Weight in lbs. 7.00  
 Hose Diameter 3" - Angle 45 degree - Center to Center 3" x 3" - Weight in lbs. 3.00  
 Hose Diameter 3" - Angle 90 degree - Center to Center 4 1/2" x 4 1/2" - Weight in lbs. 6.00  
 Hose Diameter 3" - Angle 90 degree - Center to Center 3 3/4" x 3 3/4" - Weight in lbs. 3.00  
 Hose Diameter 3" - Angle 120 degree - Center to Center 4 1/4" x 4 1/4" - Weight in lbs. 5.00  
 Hose Diameter 3" - Angle 160 degree - Center to Center 4 1/4" x 4 1/4" - Weight in lbs. 5.00  
 Hose Diameter 4 1/16" - Angle 90 degree - Center to Center 9" x 9" - Weight in lbs. 14.00

## Exhaust Risers and Connectors

<b>Part #</b>	<b>Detailed Description</b>
1-0000	Adaptor for Barr manifold replacing size 'A' end plate. (2" pipe) (Order (1) for 4 or 6-cylinder engines) or (2) for 8-cylinder engines.)
1-0001	Adaptor for Barr manifold replacing size 'C' end plate. (2 1/2" pipe) (Order (1) for 4 or 6-cylinder engines) or (2) for 8-cylinder engines.)
1-0081	Adaptor for Barr round-type Oldsmobile conversion manifold. (OR-1-73) (Order (1) for 4 or 6-cylinder engines) or (2) for 8-cylinder engines.)
1-0012-L	Adaptor for Chris Craft V8, 283 cu.in. manifolds prior to Models F, G, K and Q (three pass manifold system) left side. (Order (1) for 4 or 6-cylinder engines) or (2) for 8-cylinder engines.)
1-0012-R	Adaptor for Chris Craft V8, 283 cu.in. manifolds prior to Models F, G, K and Q (three pass manifold system) right side. (Order (1) for 4 or 6-cylinder engines) or (2) for 8-cylinder engines.)
1-0283-A	Adaptor for Chris Craft V8, 283, 302, 305, 307, 327 and 350 cu.in. manifolds. Models F, G and K (two pass manifold system) (Order (1) for 4 or 6-cylinder engines) or (2) for 8-cylinder engines.)
1-0283-L	Adaptor for Chris Craft V8, 283, 302, 305, 307, 327 and 350 cu.in. manifolds. Model 'Q' (single pass manifold system) left side. (Order (1) for 4 or 6-cylinder engines) or (2) for 8-cylinder engines.)
1-0283-R	Adaptor for Chris Craft V8, 283, 302, 305, 307, 327 and 350 cu.in. manifolds. Model 'Q' (single pass manifold system) right side. (Order (1) for 4 or 6-cylinder engines) or (2) for 8-cylinder engines.)
1-0007	Adaptor for Chrysler V8, 383, 413 and 440 cu.in. (4-bolt) and Chrysler Ace and Crown. (Order (1) for 4 or 6-cylinder engines) or (2) for 8-cylinder engines.)
1-0013-L	Adaptor for Chrysler V8, 318 cu.in. (prior to 1966) left side. (Order (1) for 4 or 6-cylinder engines) or (2) for 8-cylinder engines.)
1-0013-R	Adaptor for Chrysler V8, 318 cu.in. (prior to 1966) right side. (Order (1) for 4 or 6-cylinder engines) or (2) for 8-cylinder engines.)
1-0071	Adaptor for Chrysler V8, Model M 81, 225 h.p. (Order (1) for 4 or 6-cylinder engines) or (4) for 8-cylinder engines.)
CM-1-6672-C	Adaptor for Chrysler V8, 318 cu.in. (after 1966) (Order (1) for 4 or 6-cylinder engines) or (4) for 8-cylinder engines.)
1-0002	Adaptor for Graymarine V8, 327 cu.in. (4-bolt flange) (Order (1) for 4 or 6-cylinder engines) or (2) for 8-cylinder engines.)
1-0069	Adaptor for Graymarine V8, 327 cu.in. (3-bolt flange) (Order (1) for 4 or 6-cylinder engines) or (2) for 8-cylinder engines.)
1-0070	Adaptor for Palmer V8, Model 14-345, 345 cu.in. (Order (1) for 4 or 6-cylinder engines) or (2) for 8-cylinder engines.)
1-0014	Universal adaptor to fit any engine with 3 1/4" or smaller manifold end. (Drill to suit manifold) (Order (1) for 4 or 6-cylinder engines) or (2) for 8-cylinder engines.)
20-0008	Adaptor for 2" standard pipe thread. (Order (1) for 4 or 6-cylinder engines) or (2) for 8-cylinder engines.)
20-0004	Adaptor for 2 1/2" standard pipe thread. (Order (1) for 4 or 6-cylinder engines) or (2) for 8-cylinder engines.)

## Exhaust Risers and Connectors



20-0055



20-0031



20-0000

20-0039



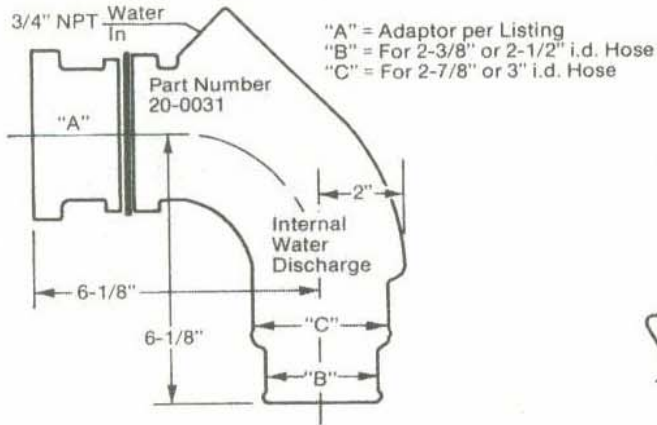
20-0034

or

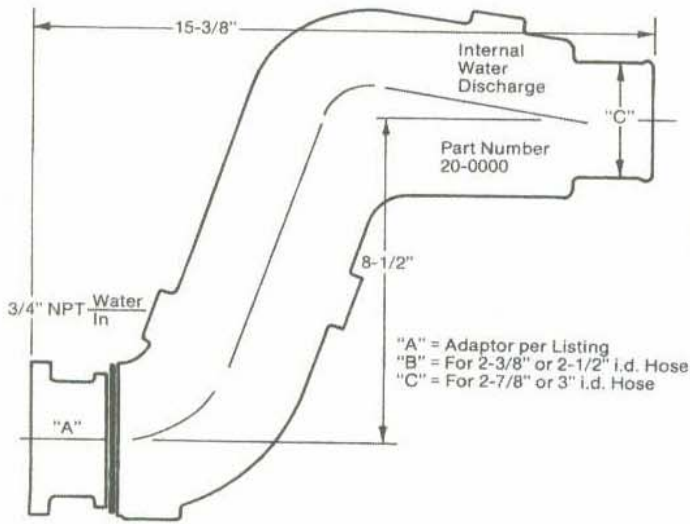
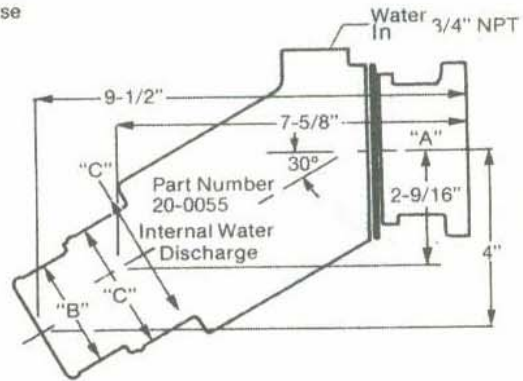
20-0035

20-0055	30 degree exhaust elbow connector, fully jacketed. Accepts 2 1/2" or 3" i.d. exhaust hose. Swivels. Requires (1) mounting hardware kit # 20-0002 P per connector. (If adaptor selection is pipe-thread type, use mounting hardware kit # 20-0009 P instead of # 20-0002 P.) (Order (1) for 6-cylinder engines) or 2 (for 8-cylinder engines). See adaptor table.
20-0039	Fully jacketed swivel-type exhaust riser. 7" riser protection. Requires (2) mounting hardware kits # 20-0002 P or either (1) exhaust connector # 20-0035 (for 2 1/2" i.d. exhaust hose) or (1) exhaust connector # 20-0034 (for 3" i.d. exhaust hose) per riser. (If adaptor selection is pipe-thread type, use (1) mounting kit # 20-0009 P in place of (1) of the above kits # 20-0002 P.) (Order (1) for 6-cylinder engines) or (2) for 8-cylinder engines.) See adaptor table.
20-0000	High discharge exhaust riser. 8 1/2" riser protection. Requires (1) mounting hardware kit # 20-0002 P per riser. Use only with 2 7/8" to 3" i.d. exhaust hose. (If adaptor selection is pipe-thread type, use mounting hardware kit # 20-0009 P instead of # 20-0002 P. (Order (1) for 6-cylinder engines) or (2) for 8-cylinder engines). See adaptor table.
20-0031	90 degree exhaust elbow connector with internal water discharge. Accepts 2 1/2" or 3" i.d. exhaust hose. Swivels. Requires (1) mounting hardware kit # 20-0002 P per connector. (If adaptor selection is pipe-thread type, use mounting hardware kit # 20-0009 P instead of # 20-0002 P.)
20-0034 or 20-0035	(1) exhaust connector # 20-0035 (for 2 1/2" i.d. exhaust hose) or (1) exhaust connector # 20-0034 (for 3" i.d. exhaust hose) per riser.

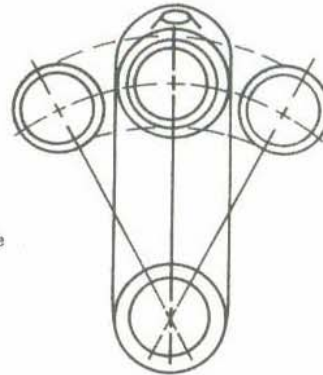
# Exhaust Risers and Connectors



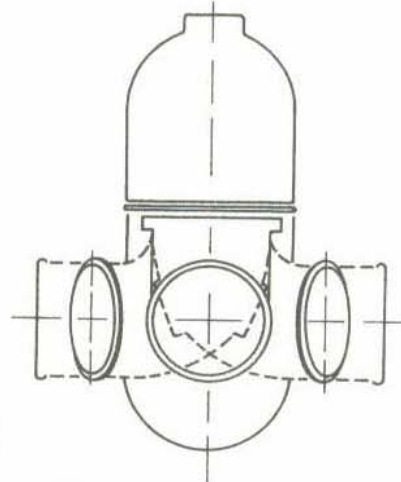
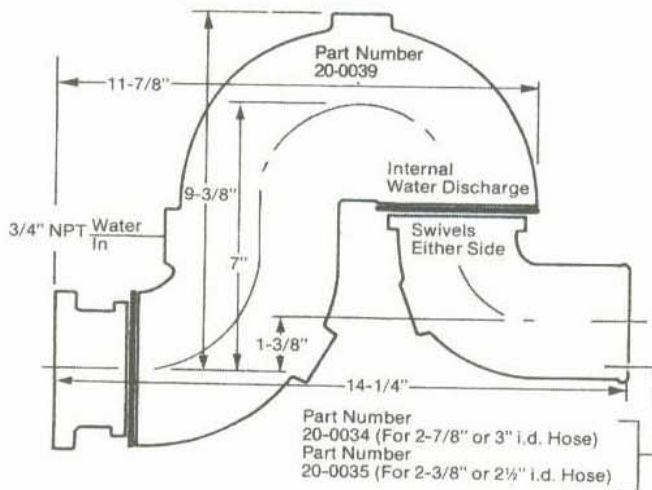
"A" = Adaptor per Listing  
"B" = For 2-3/8" or 2-1/2" i.d. Hose  
"C" = For 2-7/8" or 3" i.d. Hose



"A" = Adaptor per Listing  
"B" = For 2-3/8" or 2-1/2" i.d. Hose  
"C" = For 2-7/8" or 3" i.d. Hose

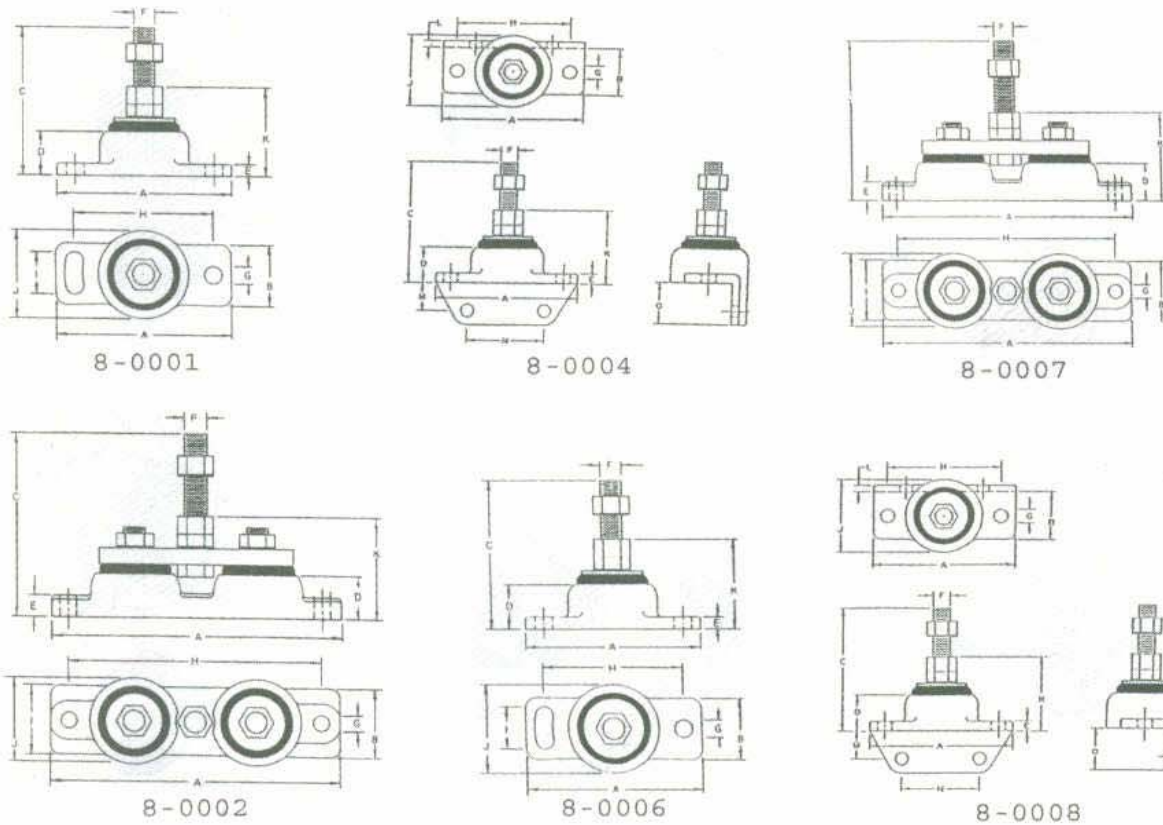


All Barr exhaust risers and connectors (except straight) can be swiveled inboard or outboard in vertical plane.



Exhaust connectors 20-0034 and 20-0035 can be swiveled inboard or outboard in horizontal plane.

# Rubber Engine Mounts



Part #	Detailed Description
8-0001	Rubber engine mount; single. Adjustable both vertically and horizontally to facilitate engine-propellor shaft alignment. Each mount has a capacity of 350 lbs. The rubber cushions are locked to the base and are oil and fuel resistant.
8-0002	Rubber engine mount; double. Increased capacity for Diesel and extra heavy-duty installations. The rubber cushions are locked to the base, not vulcanized and can be replaced. This mount is vertically adjustable to facilitate engine alignment. Each mount has a capacity of 550 lbs.
8-0004	Rubber engine mount; single. This mount retains all the fine features of the 8-0001 augmented by an additional tie-down area to bolt to the stringer pads. Each mount has a capacity of 350 lbs.
8-0006	Rubber engine mount; single. Adjustable both vertically and horizontally to facilitate engine-propellor shaft alignment. Each mount has a capacity of 350 lbs. The rubber cushions are locked to the base and are oil and fuel resistant.
8-0007	Rubber engine mount; double. Increased capacity for Diesel and extra heavy-duty installations. The rubber cushions are locked to the base, not vulcanized and can be replaced. This mount is vertically adjustable to facilitate engine alignment. Each mount has a capacity of 550 lbs.
8-0008	Rubber engine mount; single. This mount retains all the fine features of the 8-0006 augmented by an additional tie-down area to bolt to the stringer pads. Each mount has a capacity of 350 lbs.

## Specifications For Rubber Engine Mounts

Part #	A	B	C	D	E	F	G	H	I	J	K	L	M	N	O	Max Rated Load per Mount in Lbs.	Deflection at Any One Load in Ins.	Packaged Weight in Lbs.
8-0001	5	1 3/4	4 1/2	1 5/16	5/8	5/8 - 18UNF	7/16	4	1 3/16	2 1/2	2 11/16	n/a	n/a	n/a	n/a	350	0.060	3
8-0002	8 1/4	2	5 5/8	1 5/16	5/8	5/8 - 18UNF	7/16	7 1/4	n/a	2 1/2	3 1/8	n/a	n/a	n/a	n/a	550	0.060	5
8-0004	5	1 3/4	4 1/2	1 5/16	5/8	5/8 - 18UNF	7/16	4	n/a	2 3/4	2 11/16	1/4	1	2 3/4	1 1/2	350	0.060	3
8-0006	5	1 3/4	4 1/2	1 5/16	5/8	3/4 - 16UNF	7/16	4	1 3/16	2 1/2	2 11/16	n/a	n/a	n/a	n/a	350	0.060	3
8-0007	8 1/4	2	5 5/8	1 5/16	5/8	3/4 - 16UNF	7/16	7 1/4	n/a	2 1/2	n/a	n/a	n/a	n/a	n/a	550	0.060	5
8-0008	5	1 3/4	4 1/2	1 5/16	5/8	3/4 - 16UNF	7/16	4	n/a	2 3/4	2 11/16	1/4	1	2 3/4	1 1/2	350	0.060	3.5



## Thermostats and Thermostat Housing Assemblies



CHV-29-0120



OR-29-74



CM29-4142522



MC29-59137



CHV-29-80

FM-29-0083



CC29-07328



MC29-59078



CHVA-29-78



CM29-3675303



CC29-07454



OMC29-383307



CR29-96319

### Part #

CHV-29-0120

CHV-29-80

CHVA-29-78

OR-29-74

FM-29-0083

CM-29-3675303

CM-29-4142522

CC-29-07328

CC-29-07454

MC-29-59137

MC-29-59078

OMC-29-383307

CR-29-96319

### Detailed Description

Thermostat housing assembly for dual pump cooling system on 4 cylinder Chevrolets.

Thermostat housing assembly for dual pump cooling system on Chevrolet V6 and V8 applications.

Thermostat housing assembly for dual pump cooling system on big block Chevrolet V8's.

Thermostat housing assembly for dual pump cooling system on Oldsmobile 350, 403 and 455 cu. in. V8's.

Thermostat housing assembly for dual pump cooling system on small block Ford V8's.

Thermostat Chrysler

Thermostat Chrysler

Thermostat Chris Craft

Thermostat Chris Craft

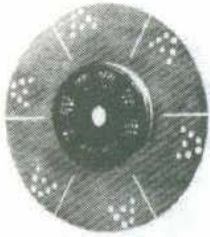
Lower Thermostat - Models 888, 225 (Ford), 233, (Ford), 255 (Ford)

Lower Thermostat - Models 120, 140, 120R/140R, 160, 165, 200

Thermostat OMC

Thermostat Crusader

## Torsional Dampers



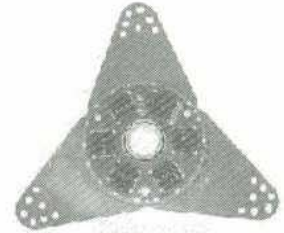
AS7-K2C



AS7-K1C



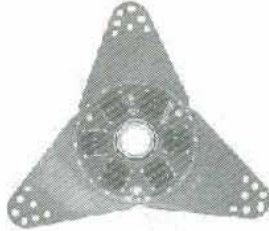
AS5-K2C



AS8-K2C



AS4-K1C



AS4-K2C



AS3-K2C



**AS4 K1C**

**Part #**

AS4-K1C

AS7-K1C

AS8-K2C

AS4-K2C

AS5-K2C

AS7-K2C

AS3-K2C

1004-65-0001

**Detailed Description**

6.18" diameter damper for 26 spline transmissions as used on flywheel forward Flagship and Chris Craft installations.

6.18" diameter damper for 26 spline transmissions as used on flywheel forward Flagship and Chris Craft installations. With heavier springs for larger engines.

Three-legged damper for 26 spline transmissions and flywheel diameters less than 13.32" V8 engines up to 350 cu.in.

Three-legged damper for 26 spline transmissions and flywheel diameters more than 13.32" V8 engines up to 350 cu.in.

Full circle damper 13.25" diameter for 26 spline transmissions. Engines up to 370 cu.in.

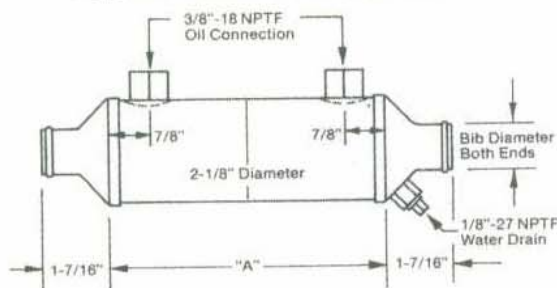
Full circle damper 13.25" diameter for 26 spline transmissions. Engines up to 430 cu.in.

Heavy duty damper for diesel applications up to 15" diameter for 26 spline transmissions.

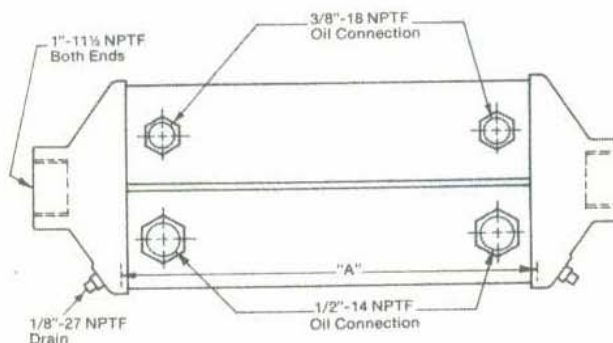
Full circle damper 13.87" diameter for 26 spline transmissions. (Use on CAT 3208's and Detroit Diesel 6-71's.)

## Transmission and Engine Oil Coolers

Copper Tube Oil Cooler



Cooper Tube Dual Oil Cooler



**Part #**

22-0018  
 22-0019  
 22-0020  
 22-0023  
 22-0024  
 22-0025  
 22-0028  
 22-0029  
 22-0030  
 22-0033  
 22-0034  
 22-0035  
 22-0042  
 22-0043

**Detailed Description**

Oil Cooler - Dimension "A" 5" - Bib Diameter 3/4"  
 Oil Cooler - Dimension "A" 5" - Bib Diameter 1"  
 Oil Cooler - Dimension "A" 5" - Bib Diameter 1-1/4"  
 Oil Cooler - Dimension "A" 6" - Bib Diameter 3/4"  
 Oil Cooler - Dimension "A" 6" - Bib Diameter 1"  
 Oil Cooler - Dimension "A" 6" - Bib Diameter 1 1/4"  
 Oil Cooler - Dimension "A" 9" - Bib Diameter 3/4"  
 Oil Cooler - Dimension "A" 9" - Bib Diameter 1"  
 Oil Cooler - Dimension "A" 9" - Bib Diameter 1 1/4"  
 Oil Cooler - Dimension "A" 12" - Bib Diameter 3/4"  
 Oil Cooler - Dimension "A" 12" - Bib Diameter 1"  
 Oil Cooler - Dimension "A" 12" - Bib Diameter 1 1/4"  
 Dual Oil Cooler - Dimension "A" 9" - Bib Diameter 1" N.P.T. Female  
 Dual Oil Cooler - Dimension "A" 12" - Bib Diameter 1" N.P.T. Female

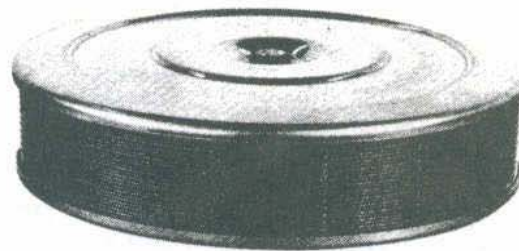
**Copper Tube Oil Coolers:** Replacement transmission oil coolers for use with all transmissions models used with gas or diesel marine engines. These coolers may also be used as engine oil coolers. Each cooler is constructed entirely of copper with brass fittings and is designed to stand up to the most rugged marine applications. The coolers are available with popular has size bibs and 3/8" N.P.T. oil connections.

**Copper Tube Dual Oil Coolers:** The dual oil cooler is designed to accommodate both the transmission oil and engine oil in one unit. Each end is treated 1" N.P.T. and has 3/8" N.P.T. oil connections for transmission oil and 1/2" N.P.T. oil connections for engine oil.

# Transom Exhausts, Exhaust Mufflers and Flame Arrestors



Transom Exhausts



Flame Arrestors

Part #	Detailed Description
20-TE-238	Transom Exhaust - Hose Shank O.D. 2 3/8" - Shank Length 2 1/2" - Flange O.D. 4 1/2" - Flange Angle 8 degree
20-TE-288	Transom Exhaust - Hose Shank O.D. 2 7/8" - Shank Length 4" - Flange O.D. 5" - Flange Angle 8 degree
20-TE-300	Transom Exhaust - Hose Shank O.D. 3" - Shank Length 4" - Flange O.D. 5" - Flange Angle 8 degree
20-TE-350	Transom Exhaust - Hose Shank O.D. 3 1/2" - Shank Length 5" - Flange O.D. 6 1/2" - Flange Angle 8 degree
20-TE-400	Transom Exhaust - Hose Shank O.D. 4" - Shank Length 4 3/4" - Flange O.D. 7" - Flange Angle 16 degree
20-TE-238CP	Transom Exhaust (Chrome Plated) - Hose Shank O.D. 2 3/8" - Shank Length 2 1/2" - Flange O.D. 4 1/2" - Flange Angle 8 degree
20-TE-288CP	Transom Exhaust (Chrome Plated) - Hose Shank O.D. 2 7/8" - Shank Length 4" - Flange O.D. 5" - Flange Angle 8 degree
20-TE-300CP	Transom Exhaust (Chrome Plated) - Hose Shank O.D. 3" - Shank Length 4" - Flange O.D. 5" - Flange Angle 8 degree
20-TE-350CP	Transom Exhaust (Chrome Plated) - Hose Shank O.D. 3 1/2" - Shank Length 5" - Flange O.D. 6 1/2" - Flange Angle 8 degree
20-TE-400CP	Transom Exhaust (Chrome Plated) - Hose Shank O.D. 4" - Shank Length 4 3/4" - Flange O.D. 7" - Flange Angle 16 degree
CHV-10-56	Flame Arrester - Throat Diameter 2 5/8" - Height 1 7/8"
OR-10-61	Flame Arrester - Throat Diameter 3 1/8" - Height 1 7/8"
CAO-10-59	Flame Arrester - Throat Diameter 4 1/4" - Height 2 1/8"
OR-10-66	Flame Arrester - Throat Diameter 5 1/8" - Height 2 1/4"
LEM-10-58	Flame Arrester - Throat Diameter 5 1/8" - Height 3 1/4"

# Crossover Reference Guide

## CHRIS CRAFT TO EDM

CHRIS CRAFT PART #	EDM PART #
16.20-07593	CC 20 07593
16.20-07605	CC 20 07605
16.20-07686	CC 1 07686
16.20-08288	CC 20 08288
16.20-08289	CC 20 08289
16.50-05944	CC47 1650 05944
16.50-06022	CC47 1650 06022
16.50-07290	CC47 1650 07290
16.50-07596	CC47 1650 07596
16.50-07597	CC47 1650 07597
16.50-07681	CC47 1650 07681

## CHRYSLER TO EDM

CHRYSLER PART #	EDM PART #
2469556	CM 1 6672A
2469639	CM 20 2847405
2600402	CM 20 2600402
2846106	CM 1 6672B
2846689	CM 20 6674
2847404	CM 20 4142411
2847405	CM 20 2847405
2847623	CM 20 4142411
3527781	CM 1 6672E
3527794	CM 20 6672
3619659	CM 1 5972A
3675826	CM 1 6677A
3745639	CM 20 4142411
4142322	CM 1 6677A
E7081M	CM 1 5972A
E9232M	CM 20 9232
E9233M	CM 20 4142411

## CRUSADER TO EDM

CRUSADER PART #	EDM PART #
96108	CR47 C 96108
96120	CR 1 97752
96121	CR 1 97753
96306	CHV 47 0000
96560	CR 20 96560
96562	CR47 C 96562
96653	CHVA 47 0000
97752	CR 1 97752
97753	CR 1 97753
97924	CR 20 97924
98068	CR 20 98068

## INDMAR TO EDM

INDMAR PART #	EDM PART #
53-1027	CHV 1 83
53-2008	FM 1 83
53-2009	20 0102
53-2010	1 0107
60-5008	50 512 019
60-5012	50 525 019

## MARINE POWER TO EDM

MARINE POWER PART #	EDM PART #
0000-815H7	50 525 020
0991-110	CHVA 1 84
0991-600	CHVA 47 0000
0992-000	20 0082
0992-001	1 0106P
0992-300	1 0104P
0992-400	MC 20 44354
0992-593	20 0100
0994-000	CHV 1 83
0994-600	CHV 47 0000

## MERCUISER TO EDM

MERC. PART #	EDM PART #	MERC. PART #	EDM PART #
97429	MC 29 97429	860246A10	MC 1 87114
12076A2	MC 20 12076	861493A3	MC 29 47587
47441A1	MC 29 47441	861493A3	MC 29 60372
47442A1	MC 20 47442	87290A4	MC 29 87290
47638A1	1 47638	90736A18	MC 29 90736
47735A17	MC 1 47735	90880A2	MC 20 90880
47736A17	MC 1 47736	95862A5	MC 1 95862
47737A10	MC 1 47737	96705A1	MC 1 52390
47738A10	MC 1 47738	96705A10	MC 1 96705
55538A2	MC 20 55538	97428T 2	MC 29 97428
58759A14	MC 1 58759	98502A2	MC 20 98502
59498A1	MC 29 59498	98504A3	MC 20 98504
60252A2	1 60252	99746A17	MC 1 99746
60783A3	MC 29 60783	NLA	MC 20 61811A4
61851A3	MC 20 61851A2	NLA	MC 29 79468
62898A1	MC 29 62898	1623-8951A37	MC51 1623 8951A27
63122A13	MC 1 63122		
63588A1	MC 29 63588		
65603A13	MC 1 65603		
65604A12	MC 1 65604		
72963A9	MC 20 72963		
73811A1	1 73811		
73813A1	1 54870		
73813A1	1 73813		
76325A9	MC 20 76325		
76351A2	MC 20 60426		
76351A2	MC 20 76351		
76668A3	MC 20 76668		
76771A3	MC 20 76771		
77234A7	MC 1 77234		
77235A8	MC 1 77235		
78984A1	MC 29 78984		
78985A1	MC 29 78985		
806867A8	MC 1 99798		
807078A6	MC 1 89011		
807476A6	MC 20 93320A3		
807477A5	MC 20 93322A3		
807988A2	MC 20 44354		

# Crossover Reference Guide

## OMC TO EDM

OMC PART #	EDM PART #	OMC PART #	EDM PART #
311550	1 910280	979730	OMC 20 980536
312148	1 312148	979758	OMC 1 979758
312149	1 312149	979759	OMC 1 979759
314810	OMC 29 982201	979760	OMC 1 979760
384560	OMC 24 0000	979761	OMC 1 979761
385799	OMC 20 910380	980083	OMC 1 984054
907776	OMC 20 981281	980188	OMC 20 910380
907777	OMC 20 981281	980382	OMC 24 0000
907885	1 907885	980459	OMC 1 981462
908719	1 908719	980460	OMC 1 984054
909280	OMC 1 912441	980536	OMC 20 980636
910144	OMC 1 912442	980572	OMC 1 980959
910280	1 910280	980617	OMC 20 980617
910380	OMC 20 910380	980957	OMC 1 984054
910384	1 910384	980959	OMC 1 980959
912441	OMC 1 912441	981281	OMC 20 981281
912442	OMC 1 912442	982490	OMC 1 984054
913784	OMC 20 913784	982680	OMC 20 982680
979729	OMC 1 981462		

## SIERRA TO EDM

SIERRA PART #	EDM PART #	SIERRA PART #	EDM PART #
18-0113	MC47 27 97542	18-2743	MC47 27 94996
18-0114	OMC47 907761	18-2820	MC47 27 64818
18-0183	MC47 27 73866	18-2902	MC47 27 33395
18-0332	MC47 27 35898	18-2917	MC47 27 53045
18-0335	MC47 27 39947	18-4008	MC 20 60207
18-0353	MC47 27 58764	18-4360	CM 1 6672B P
18-0356	MC47 27 64692	18-4395	MC47 27 35898A4
18-0364	MC47 27 73812	18-1972	MC 20 76325
18-0418	MC47 27 46820	18-1973	MC 20 55538
18-0672	MC47 27 41811	18-1974-1	MC 20 98502
18-0872	MC47 27 33395	18-1975	MC 20 12076
18-0885	MC47 27 48042	18-1976-1	MC 20 44354
18-0897	MC47 27 41813	18-1977	MC 29 47441
18-0903	MC47 27 49110	18-1978	MC 20 76771
18-0928	MC47 27 73814	18-1990	1 73813
18-0943	OMC47 909786	18-1991	20 0089P
18-0954	MC47 27 92720	18-1992-1	20 0087P
18-0992	MC47 27 68715	18-1993	MC 29 78984
18-1203	MC47 27 53354	18-1994	MC 29 87290
18-1204	MC47 27 96429	18-1995	1 47368
18-1209	MC47 27 39917	18-1997-1	CHV 1 83
18-1210	MC47 27 39923	18-1998-1	FM 1 83
18-1902	OMC 1 912441	18-1999	20 0082
18-1903	OMC 1 912442	18-2554	MC47 27 41812
18-1904	OMC 1 980959	18-2819	MC47 27 39915
18-1921	OMC 20 982680	18-2830	MC47 27 46401
18-1922	OMC 20 910380	18-2831	MC47 27 47590
18-1930-1	VO 1 855387	18-2832	MC47 27 48043
18-1931-1	VO 1 835804	18-2833	MC47 27 99777
18-1935-1	VO 20 855384	18-2844	MC47 27 48818
18-1940	CM 1 6677A	18-2849	MC47 27 87105
18-1941	CM 1 6672B	18-2850	OMC47 908935
18-1945	CM 20 6674	18-2854	1 0107
18-1946	CM 20 6672	18-2859	OMC47 311131
18-1950-1	MC 1 77234	18-2860	OMC47 311130
18-1951-1	MC 1 77235	18-2861	OMC47 311121
18-1952-1	MC 1 99746	18-2875	OMC47 908013
18-1953	MC 1 87114	18-2883	OMC47 907775
18-1954	MC 1 95862	18-2896	MC47 27 52546
18-1955	MC 1 96705	18-2909	MC47 27 97757
18-1956-1	MC 1 99798	18-2941	CM 1 6672D
18-1957	MC 1 89011	18-2949	CHV 47 0000
18-1958	MC 1 65604	18-2971	VO47 835908
18-1959	MC 1 63122	18-4009	1 60252
18-1960-1	MC 1 58759	18-4363	FM 1 83P
18-1961	MC 1 52390	18-4364	20 0082P
18-1962	MC 1 65603	18-4367	MC47 27 99777A1
18-1968	MC 29 47587	18-4394	MC47 27 33395A1
18-1969	MC 29 60372	18-4396	MC47 27 46401A1
18-1970-1	MC 20 98504	18-4397	MC47 27 46820A1
18-1971	MC 20 76351	18-4398	MC47 27 53354A1
18-2104	MC 51 75832	18-4399	MC47 27 54556A1
18-2146	MC 51 59830	18-4461	50 512 020

## OSCO TO EDM

OSCO PART #	EDM PART #	OSCO PART #	EDM PART #
106	CM 1 6672B	VO418	VO 1 855387
121	CM 1 5972C	54870	1 54870
150	CM 1 5972B	56879	VO 20 855384
424	CM 1 5972D	60252	1 60252
557	CM 1 6672E	99204	20 0100
639	CM 20 2847405	0188	OMC 20 910380
689	CM 20 6674	0402	CM 20 2600402
794	CM 20 6672	05944	CC47 1650 05944
826	CM 1 6677A	0879	MC 20 90880
992	20 0082	106-T	CM 1 6672H
994	CHV 1 83	143-DEG	MC 29 59137
2018	20 0102	1851(SINGLE)	MC 20 61851A2
2076	MC 20 12076	3320(SINGLE)	MC 20 93320A3
2441	OMC 1 912441	3322(SINGLE)	MC 20 93322A3
2442	OMC 1 912442	480-MK	CM 20 6672P
4354	MC 20 44354	480-MK	CM 20 6674P
5538	MC 20 55538	480-MK-FW	CM 20 6672J P
5603	MC 1 65603	480-MK-FW	CM 20 6674J P
5604	MC 1 65604	7081-GH	CM 1 5972P
5639	CM 20 4142411	7087-MK	CM 20 9232P
5805	VO 1 835804	7087-OR	CM 20 9225/6
5862	MC 1 95862	7114B2	MC 1 87114
6022	CC47 1650 06022	7234B	MC 1 77234
6108	CR47 C 96108	7235B	MC 1 77235
6325	MC 20 76325	826GH	CM 1 6672P
6351	MC 20 76351	826-MK-SS	CM 1 6677 SS P
6562	CR47 C 96562	8503A	MC 20 98504
6705	MC 1 96705	8503-G0	MC47 27 87105
6771	MC 20 76771	8503-GB	MC47 27 41811
7056	CC 1 07686	8503-GR	MC47 27 41813
7081	CM 1 5972A	9863-T	OMC 20 982680
7296	CR 20 97296	992-G	1 0107
7752	CR 1 97752	992-G-FW	1 0105
7753	CR 1 97753	992MK	20 0082P
7924	CR 20 97924	994-S3	20 0097
8068	CR 20 98068	BG	1 0019
8759	MC 1 58759	CV-GH	CHV 47 0000
9011	MC 1 89011	CW994	CHVA 1 84
9234	CM 20 9234	CW-GH	CHVA 47 0000
9745	MC 1 99746	CY4 GH	CHV 47 0120
9798	MC 1 99798	CY-MG	MC 1 6364G
41812	MC47 27 41812	F66CS	50 512 019
47510	MC47 27 47510	F68C9	50 525 020
48818	MC47 27 48818	F68CS	50 512 020
50456	OMC 20 913784	FL994	FM 1 83
52076	MC47 27 52076	MC552-BB	MC 29 90736
MC553-BB	MC 29 78985	MC552-SB	MC 29 87290
MC55-TBB	MC 29 47442	MC553-SB	MC 29 78984
MC55-TSB	MC 29 47441		

## VOLVO TO EDM

VOLVO PART #	EDM PART #
824532-6	VO 1 824532
825599-4	VO 20 825599
834438-4	VO 1 855387
835804-6	VO 1 835804
855384-4	VO 20 855384
855387-7	VO 1 855387
856883-4	VO 1 835804

## Notes:

## Notes:



## Notes:

***BARR***  
***MARINE BY EDM***

100 Douglas Way  
P.O. Box 190  
Natural Bridge Station, VA 24579

Toll Free: (866) 255-9265  
Phone: (540) 291-4180  
FAX: (540) 291-4185  
E-Mail: [sales@barrmarine.net](mailto:sales@barrmarine.net)  
Web: [www.barrmarine.net](http://www.barrmarine.net)